



Door Hardware Guide

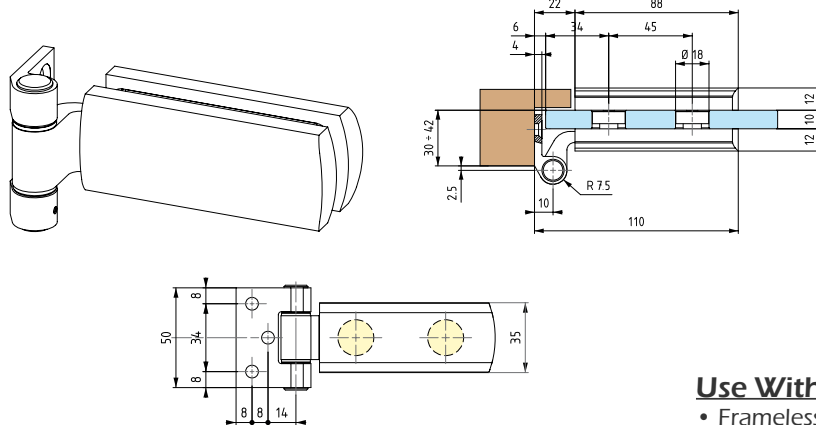
www.nxtwall.com

Door Hinges, Door Leversets, Non-Locking Door Pulls,
Locking Door Pulls, Custom Door Pulls



Door Hinges

FLEXA - GLASS DOOR HINGE



Features:

- Flexa Side Hinge
- For 3/8" thick glass
- 35-7/8" door widths
- 121 lbs max door weight
- Modern Italian Design
- Finish: Polish chromed brass and satin chromed brass

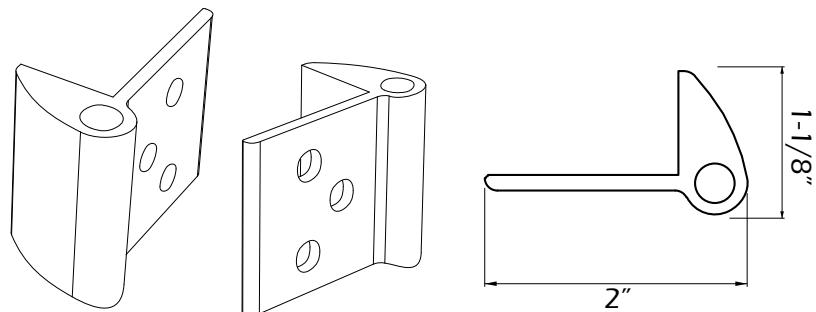
Use With:

- Frameless Glass swing doors (3/8" thick)
- Flex Series or View Series

Finish Options:

- Brushed Stainless
- Black

NXTWALL - SWING DOOR HINGE



Features:

- Reversible
- Can match NxtWall trim, track, and door frames

Use With:

- Solid core laminate swing doors (1-3/4" thick)
- Wood Veneer swing doors (1-3/4" thick)
- Aluminum frame swing doors (1-3/4" thick)
- Flex Series or View Series

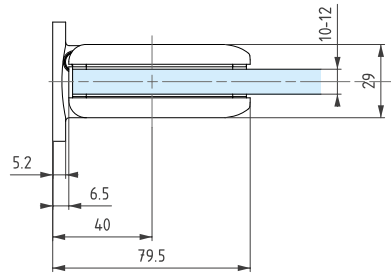
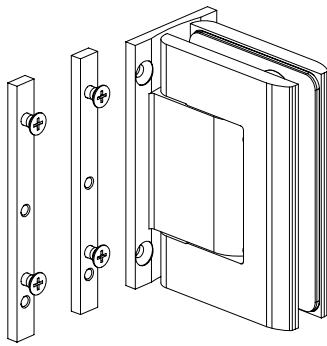
Finish Options:

- MS Silver Powdercoat (Standard)
- Clear Anodized*
- Black Powdercoat*
- Warm White Powdercoat*
- Milk White Powdercoat*
- Brown Powdercoat*
- Any Color from the RAL Color Chart*
- Custom Anodized Options*

(* upcharge may apply)

(Measurements shown in mm)

BILOBA - FULL SWING SELF CLOSING & SELF CENTERING GLASS DOOR HINGE



Features:

- Hydraulic hinge with adjustment of the closing speed of the door
- Stop at 0° +90° -90°
- Automatic Closing From 0 to 80 Degrees
- Holds open at 90°
- Connecting plate included
- Opens both inwards and outwards
- For 3/8" thick glass
- For up to 39-3/8" door widths
- 220 lbs max door weight (2 hinge set)
- Tested for 1,000,000 cycles

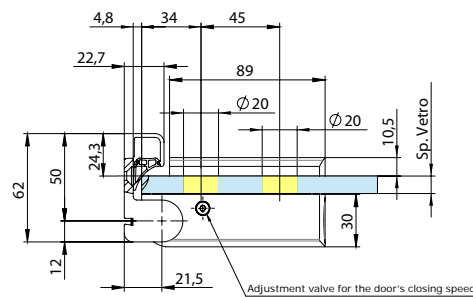
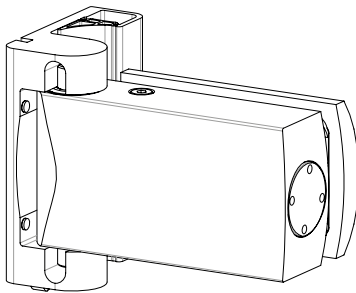
Use With:

- Frameless Glass swing doors (3/8" thick)
- Flex Series or View Series

Finish Options:

- Brushed Stainless
- Black
- Other Finishes Available

BILOBA - SELF CLOSING GLASS DOOR HINGE



Features:

- Aluminum hydraulic hinge with adjustment of the closing speed of the door
- Stop at 0° +90° (Standard)
- Automatic Closing From 0 to 80 Degrees
- Holds open at 90° (Standard)
- Connecting plate included
- Single-action, Opens in one direction only
- For 3/8" thick glass
- For up to 39-3/8" door widths
- 220 lbs max door weight (2 hinge set)
- Tested for 1,000,000 cycles
- Non hold open option available

Use With:

- Frameless Glass swing doors (3/8" thick)
- Flex Series or View Series

Finish Options:

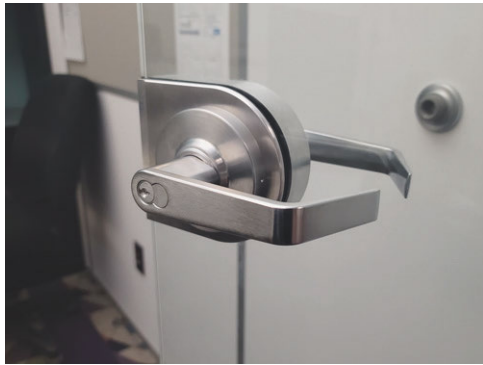
- Brushed Stainless
- Black
- Other Finishes Available

(Measurements shown in mm)



Door Leversets

LOCKING LEVERSET (Standard Duty)



IC Keying Core
Small format interchangeable core brass cylinder (Standard)



Features:

- Levers:** • Non-handed.
- Rose:** • 3-3/8" DIA Wrought.
- Latchbolt:** • 1/2" Throw.
- Warranty:** • Five (5) year Limited Warranty.
- Backset:** • 2-3/4" standard • 2-3/8", 3-3/4", 5" optional.
- Application:** • Through door thru-bolting • Fits standard 160 & 161 Door prep • Thru-Bolts are removable.
- Chassis:** • Heavy gauge cold rolled steel mechanism • Dichromated for corrosion resistance.
- Fronts:** • 2-1/4" x 1-1/8" or 2-1/4" x 1" • Beveled 1/8" on 2" • Stainless Steel or Wrought Brass.
- Strike:** • ASA standard • T-Strike or Full Lip Strike optional • Stainless Steel or Wrought Brass.
- IC Core:** • 6 or 7-pin • Compatible with Best, Falcon & Arrow. (Standard).
- Keying:** • Options: MK, CMK or GMK/Zero Bitted (KO), Keyed Different (KD) or Keyed Alike (KA) • Can be keyed into existing master key systems.
- Certifications, Listing Complies:** • UL listed for 3 hrs, for single doors up to 4'0" x 8'0" • Certified to ANSI/BHMA A156.2 Grade 2 • Complies with ADA (Americans with Disabilities Act) and ICC/ANSI 117.1 for Accessible and Usable Buildings.

Use With:

- Solid core laminate swing doors (1-3/4" thick)
- Wood Veneer swing doors (1-3/4" thick)
- Aluminum frame swing doors (1-3/4" thick)
- Flex Series or View Series

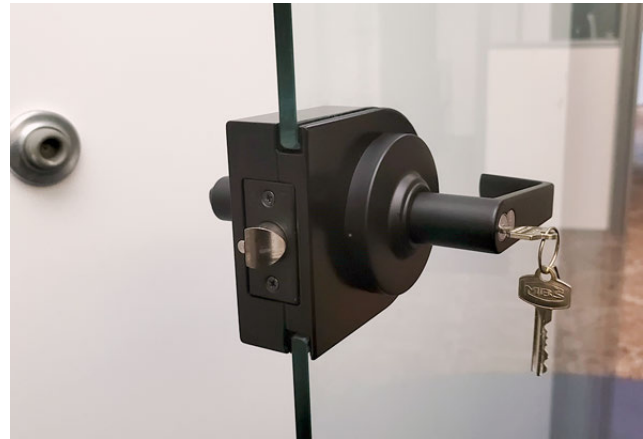
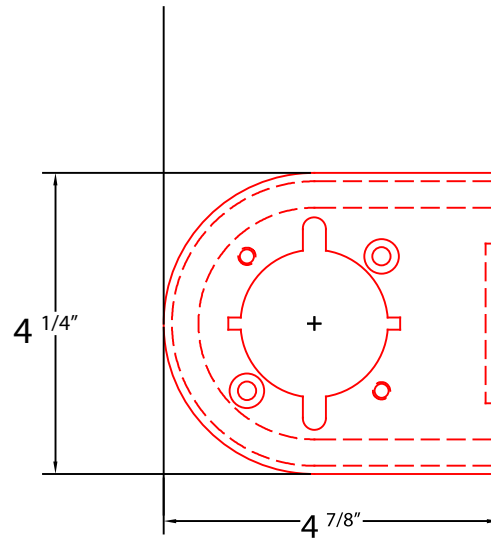
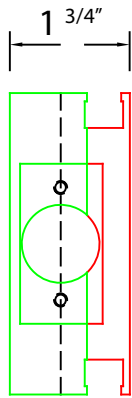
| Function | Function No. | In/Out | Description |
|-----------|--------------|--------|---|
| Storeroom | SD115 | | <ul style="list-style-type: none"> - Latchbolt operated from outside by key, inside lever - Outside lever always fixed - Inside lever always free - Deadlocking (guarded) latchbolt |
| Classroom | SD148 | | <ul style="list-style-type: none"> - Latchbolt operated by lever from each side - Outside lever locked or unlocked by key from outside - Inside lever always operates latch - Deadlocking (guarded) latchbolt |
| Passage | SD126 | | <ul style="list-style-type: none"> - Latchbolt operated by lever from either side at all times - Non keyed |
| Entrance | SD116 | | <ul style="list-style-type: none"> - Latchbolt operated by lever from either side or key in outside lever - Outside lever locked by push/turn button on inside - When outside lever is locked by push button on inside – key from outside, or rotating inside lever unlocks outside lever - Deadlocking (guarded) latchbolt - When outside lever is locked by pushing & turning the button on the inside, key from outside or rotating inside lever retracts latch but does not unlock outside lever |

Finish Options:

- Brushed Stainless Steel (Standard)
- Black

Indicates Rigid Lever

LEVER LOCK HOUSING KIT



Features:

- Allows use of standard lockset on frameless glass doors
- Incorporates lockset functions such as entrance, storeroom, and privacy features
- Locksets can accommodate large and small format interchangeable cores

Use With:

- Frameless glass swing doors
- Flex Series or View Series

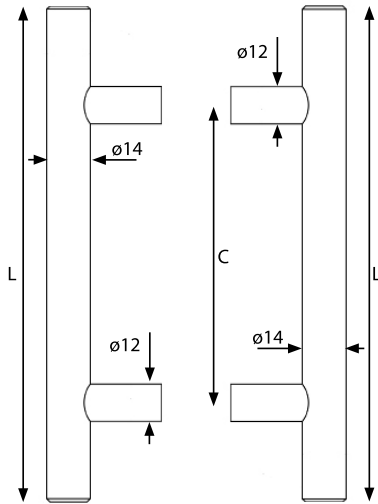
Finish Options:

- Brushed Stainless Steel
- Black



Non-Locking Door Pulls

NON LOCKING DOOR PULL (15-3/4" L)



Features:

- Set of (2) for back-to-back installation
- AISI 304 Solid Stainless Steel with a brushed finish
- Includes a set of kit connectors to join 2 door pulls together
- Dimensions: L = 15-3/4", C = 320 mm
- NOTE: Diameter thickness is thinner than our other non-locking door pulls shown below

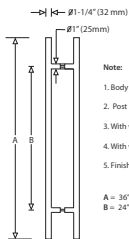
Use With:

- All door types
- Flex Series or View Series

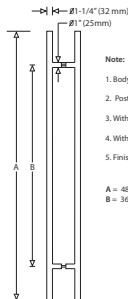
Finish Options:

- Brushed Stainless Steel
- Black Matte Smooth

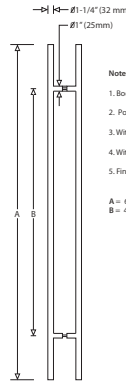
TCS - NON LOCKING DOOR PULLS (36"-72" L)



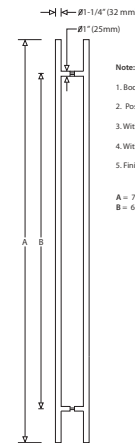
- Note:
1. Body tube Diameter: 1-1/4" (32mm)
 2. Post Diameter: 1" (25mm)
 3. With white grommet seals (Plastics)
 4. With white bushing
 5. Finished: BSS (Brushed)
- A = 36" (914 mm)
B = 24" (610 mm)



- Note:
1. Body tube Diameter: 1-1/4" (32mm)
 2. Post Diameter: 1" (25mm)
 3. With white grommet seals (Plastics)
 4. With white bushing
 5. Finished: BSS (Brushed)
- A = 48" (1220 mm)
B = 36" (914 mm)



- Note:
1. Body tube Diameter: 1-1/4" (32mm)
 2. Post Diameter: 1" (25mm)
 3. With white grommet seals (Plastics)
 4. With white bushing
 5. Finished: BSS (Brushed)
- A = 60" (1524 mm)
B = 44.3" (1125 mm)



- Note:
1. Body tube Diameter: 1-1/4" (32mm)
 2. Post Diameter: 1" (25mm)
 3. With white grommet seals (plastics)
 4. With white bushing
 5. Finished: BSS (Brushed)
- A = 72" (1828 mm)
B = 60" (1524 mm)

Features:

- Brushed stainless steel
- Includes white grommet seals (plastics) & white bushings
- 304 Stainless Steel (316 available upon request)
- L = 36", 48", 60", & 72"



Use With:

- All door types
- Flex Series or View Series

Finish Options:

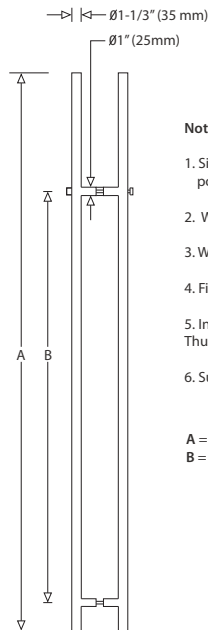
- Brushed Stainless Steel (standard)
- Black Matte Smooth
- Black Matte Textured
- Titanium Black Polished

(Measurements shown in mm unless specified otherwise)



Locking Door Pulls

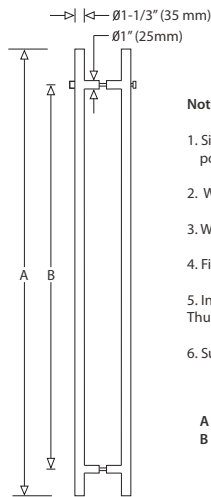
TCS - LOCKING DOOR PULLS



Note:

1. Size: OD- \varnothing 35mm*48" (1220mm)C&C1050mm, posts diameter is 35mm
2. With metal washers and grommet seals (Plastics)
3. With white bushings
4. Finished: BSS (Brushed)
5. Integral locking facility Key operated from outside Thumb turn inside (Factory supply without lock core)
6. Supply with spring floor receiver

A = 60" (1524 mm)
B = 44.3" (1125 mm)



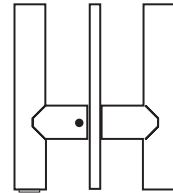
Note:

1. Size: OD- \varnothing 35mm*48" (1220mm)C&C1050mm, posts diameter is 35mm
2. With metal washers and grommet seals (Plastics)
3. With white bushings
4. Finished: BSS (Brushed)
5. Integral locking facility Key operated from outside Thumb turn inside (Factory supply without lock core)
6. Supply with spring floor receiver

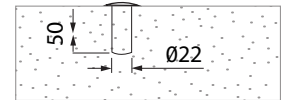
A = 48" (1220 mm)
B = 41.3" (1050 mm)



Spring Floor Receiver



Spring Floor Receiver
Installation Detail



Features:

- Available Lengths: 48" and 60"
- Includes white grommet seals (plastics) & white bushings
- 304 Stainless Steel
(316 available upon request)
- Includes: spring floor receiver & thumb turn lock
(lock core separate)

Use With:

- All door types
- Flex Series or View Series

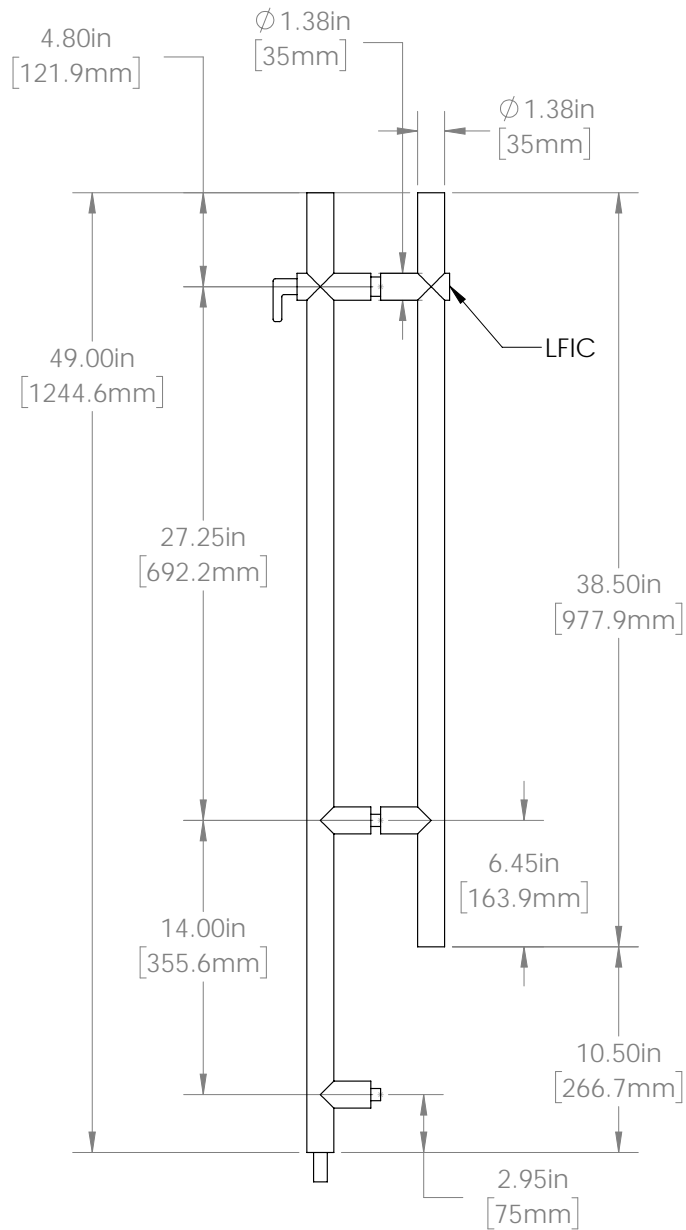
Finish Options:

- Brushed Stainless Steel (standard)
- Black Matte Smooth
- Black Matte Textured
- Titanium Black Polished



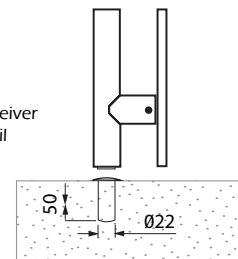
Custom Door Pulls

TCS - CUSTOM LOCKING DOOR PULL (LARGE FORMAT INTERCHANGEABLE CORE)



Spring Floor Receiver

Spring Floor Receiver
Installation Detail



Features:

- Available lengths: 24", 36", 48", 60", 72", and 84"
- Brushed stainless steel, Polished stainless steel, and Matte Black finishes
- Includes white grommet seals (plastics) & white bushings
- Body tube diameter: 1.38" (35mm)
- Post diameter: 1.38" (35mm)
- Includes: spring floor receiver & thumb turn lock (lock core separate)
- LFIC Lock (Large Format Interchangeable Core)

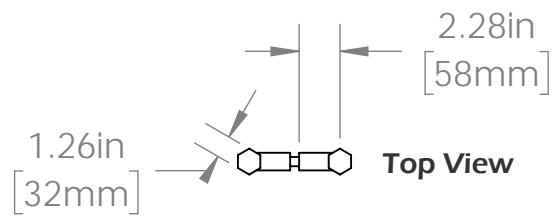
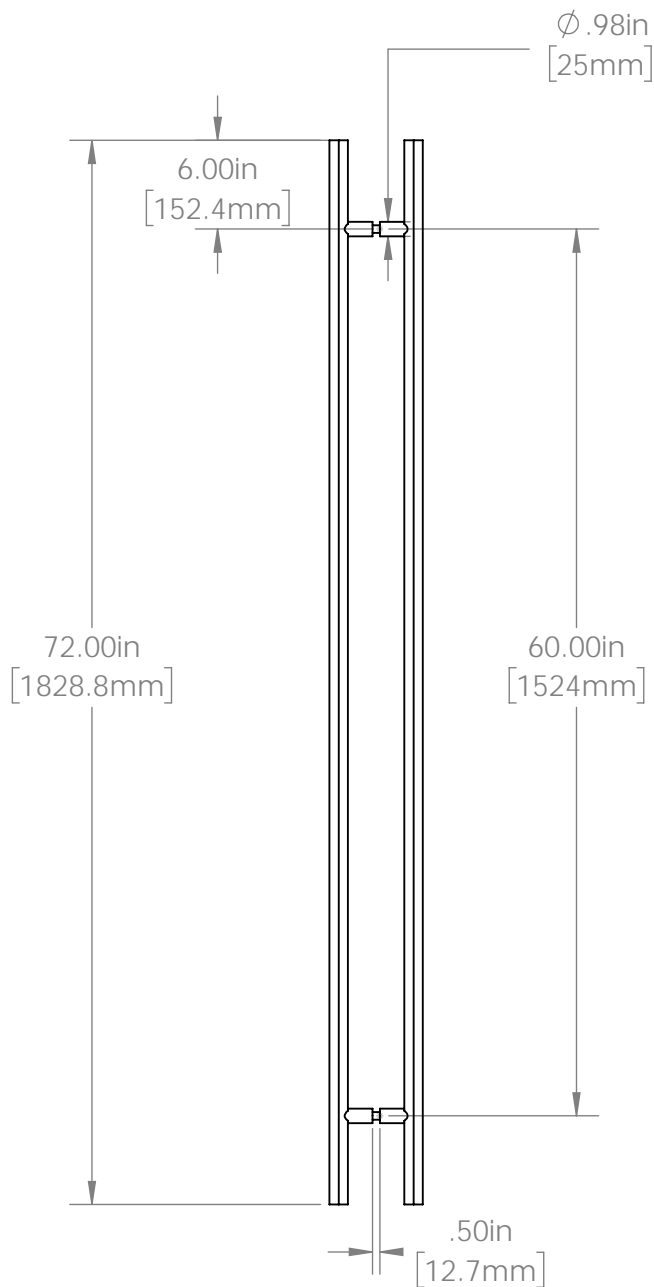
Use With:

- All door types
- Flex Series or View Series

Finish Options:

- Brushed Stainless Steel
- Polished Stainless Steel
- Matte Black

TCS - NON-LOCKING HEXAGONAL DOOR PULLS



Features:

- Available lengths: 24", 36", 48", 60", 72"
- Polished stainless steel
- 1.26" (32mm) Hexagonal body tube
- Post diameter: 0.98" (25mm)
- Includes clear grommet seals (Plastics) & white bushings

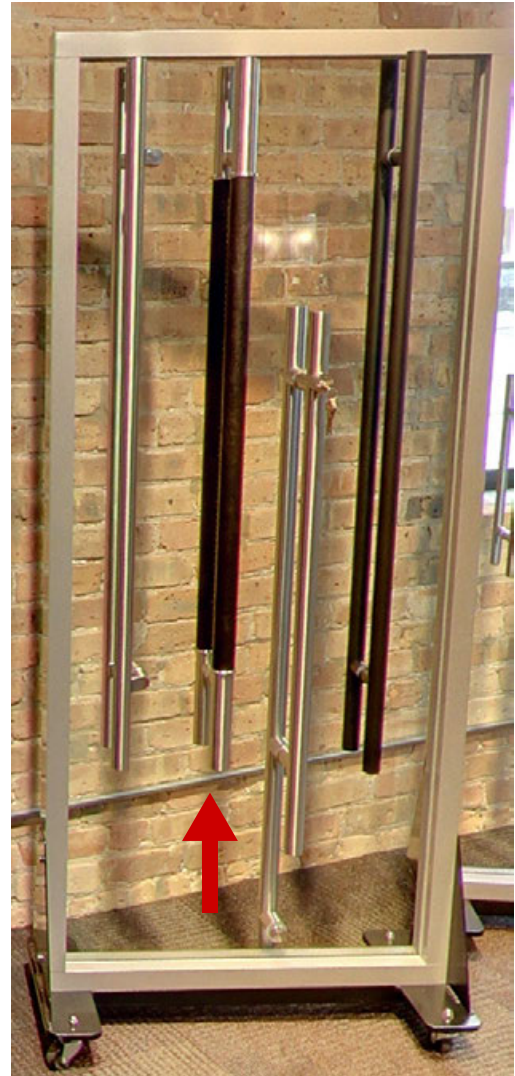
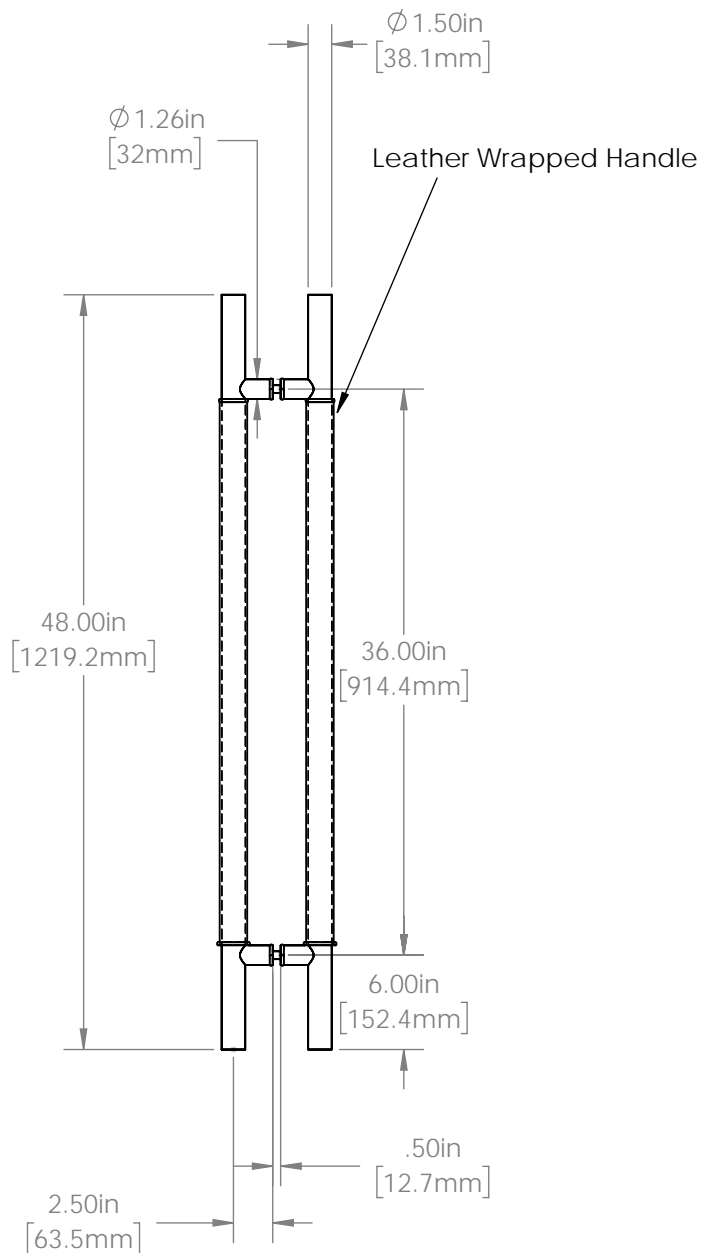
Use With:

- All door types
- Flex Series or View Series

Finish Options:

- Brushed Stainless Steel
- Polished Stainless Steel
- Matte Black

TCS - NON-LOCKING LEATHER COVER DOOR PULLS



Features:

- Available lengths: 24", 36", 48", 60", 72"
- Body tube diameter: 1.5" (38.1mm)
- Post diameter: 1.26" (32mm)
- Leather wrapped handle
- Includes white grommet seals (Plastics) & white bushings

Use With:

- All door types
- Flex Series or View Series

Finish Options:

- Handle Cover:**
- Black leather
 - Brown leather

Metal Pull:

- Brushed Stainless Steel
- Polished Stainless Steel
- Matte Black