



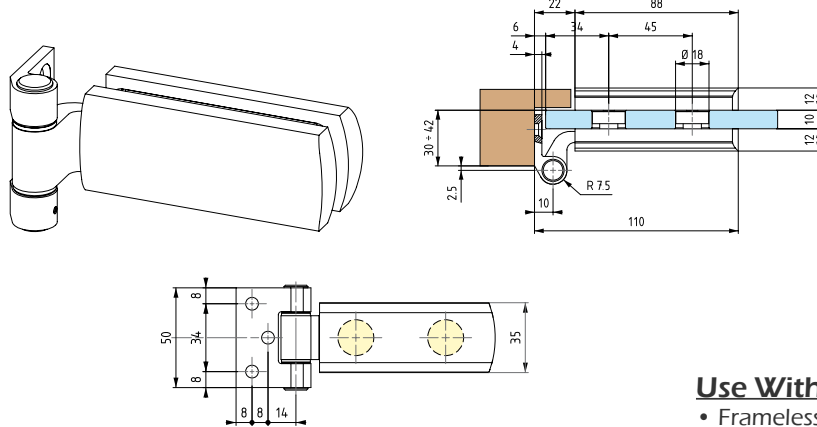
Door Hardware Guide

www.nxtwall.com



Door Hinges

FLEXA - GLASS DOOR HINGE



Features:

- Flexa Side Hinge
- For 3/8" thick glass
- 35-7/8" door widths
- 121 lbs max door weight
- Modern Italian Design
- Finish: Polish chromed brass and satin chromed brass

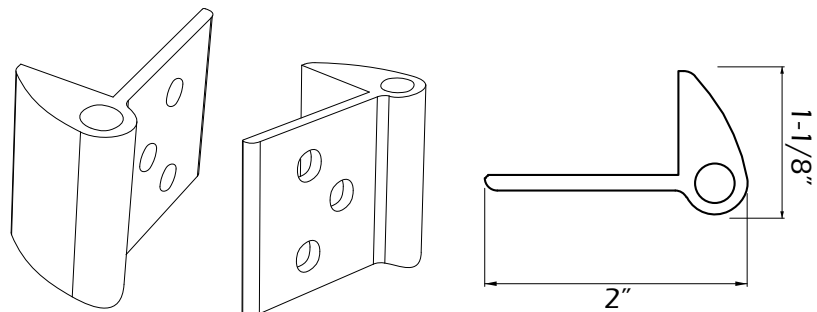
Use With:

- Frameless Glass swing doors (3/8" thick)
- Flex Series or View Series

Finish Options:

- Brushed Satin (standard)
- Satin Anodized Aluminum
- Chrome

NXTWALL - SWING DOOR HINGE



Features:

- Reversible
- Can match NxtWall trim, track, and door frames

Use With:

- Solid core laminate swing doors (1-3/4" thick)
- Wood Veneer swing doors (1-3/4" thick)
- Aluminum frame swing doors (1-3/4" thick)
- Flex Series or View Series

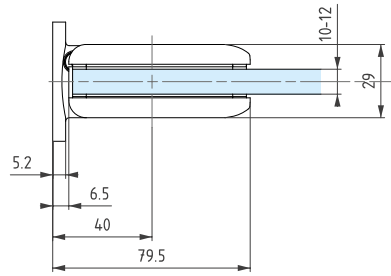
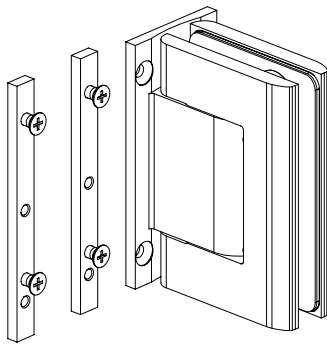
Finish Options:

- MS Silver Powdercoat (Standard)
- Clear Anodized*
- Black Powdercoat*
- Warm White Powdercoat*
- Milk White Powdercoat*
- Brown Powdercoat*
- Any Color from the RAL Color Chart*
- Custom Anodized Options*

(* upcharge may apply)

(Measurements shown in mm)

BILOBA - FULL SWING SELF CLOSING & SELF CENTERING GLASS DOOR HINGE



Features:

- Hydraulic hinge with adjustment of the closing speed of the door
- Stop at 0° +90° -90°
- Automatic Closing From 0 to 80 Degrees
- Holds open at 90°
- Connecting plate included
- Opens both inwards and outwards
- For 3/8" thick glass
- For up to 39-3/8" door widths
- 220 lbs max door weight (2 hinge set)
- Tested for 1,000,000 cycles

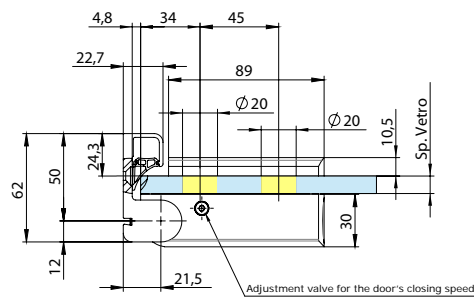
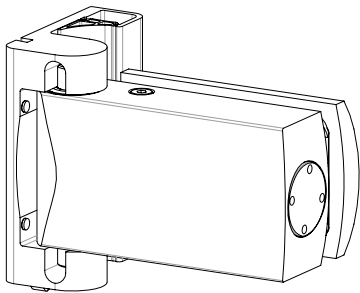
Use With:

- Frameless Glass swing doors (3/8" thick)
- Flex Series or View Series

Finish Options:

- Brushed Satin (standard)
- Satin Anodized Aluminum
- Black

BILOBA - SELF CLOSING GLASS DOOR HINGE



Features:

- Aluminum hydraulic hinge with adjustment of the closing speed of the door
- Stop at 0° +90°
- Automatic Closing From 0 to 80 Degrees
- Holds open at 90°
- Connecting plate included
- Single-action, Opens in one direction only
- For 3/8" thick glass
- For up to 39-3/8" door widths
- 220 lbs max door weight (2 hinge set)
- Tested for 1,000,000 cycles

Use With:

- Frameless Glass swing doors (3/8" thick)
- Flex Series or View Series

Finish Options:

- Satin Chromed Brass (standard)
- Black

(Measurements shown in mm)



Door Leversets

CORTLAND - LOCKING LEVERSET (Standard Duty)



Features:

- Passage option available
- Performance: Complies with ANSI A156.2, Series 4000, Grade 2, 400,000 cycles, ANSI A117.1 accessibility (ADA) code, UL/ULC listed for 3 hour fire door
- Chassis: Cylindrical, steel-coated w/ zinc dichronate (corrosion resistance)
- Lever: Non-handed
- Standard Cylinder: Standard cylinder Schlage (SCC) - 6-pin solid brass, C keyway, keyed different (KD)
- Latch: 1-1/8" x 2-1/4" square corner faceplate, 3/4" housing, 1/2" throw (stainless steel)
- Latchbolt operated by lever from either side
- Outside lever locked by turn button from inside
- Unlocked by key from outside or rotating inside lever
- Warranty: 1 Year Limited

Use With:

- Solid core laminate swing doors (1-3/4" thick)
- Wood Veneer swing doors (1-3/4" thick)
- Aluminum frame swing doors (1-3/4" thick)
- Flex Series or View Series

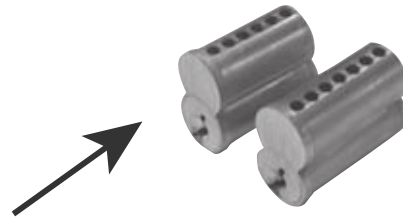
Finish Options:

- Satin Chrome (standard)

ALSO AVAILABLE:

Heavy Duty Version which Accepts IC Keying Core

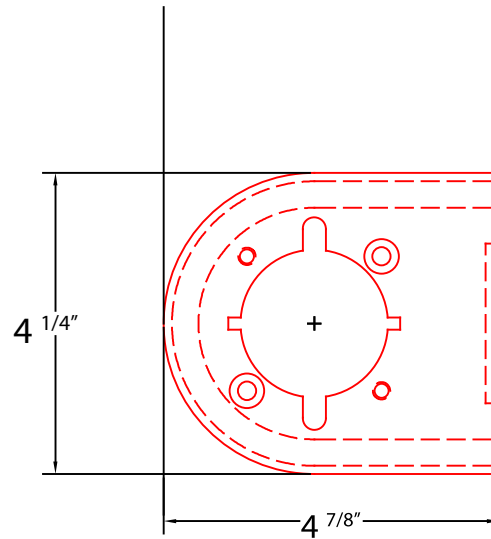
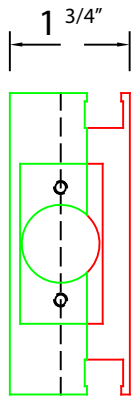
- Small format interchangeable core brass cylinder
6-pin standard, 7-pin available. Best "A" keyway standard.



Functions Available for the Standard Duty Locking Leverset:

Function	Function No.	Out/In	Description
Entry/Office	81		<ul style="list-style-type: none"> - Latchbolt operated by lever from either side - Outside lever locked by turn button from inside - Unlocked by key from outside or rotating inside lever
Entry	82		<ul style="list-style-type: none"> - Latchbolt operated by lever from either side - Outside lever locked by push button from inside - Outside unlocked by key from outside or rotating inside lever
Classroom	84		<ul style="list-style-type: none"> - Latchbolt operated by lever from each side - Outside lever locked or unlocked by key from outside - Inside lever always operates latch
Storeroom	86		<ul style="list-style-type: none"> - Latch operated by rotating inside lever or key in outside lever - Outside lever always fixed
Passage/Closet	75		<ul style="list-style-type: none"> - Latchbolt operated by lever from either side at all times
More Functions Available...			

LEVER LOCK HOUSING KIT



Features:

- Allows use of standard lockset on frameless glass doors
- Incorporates lockset functions such as entrance, storeroom, and privacy features
- Locksets can accommodate large and small format interchangeable cores

Use With:

- Frameless glass swing doors
- Flex Series or View Series

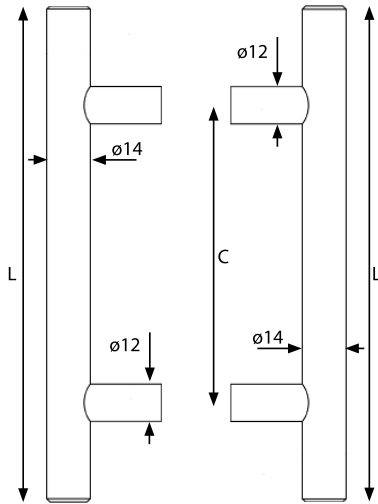
Finish Options:

- Bright Anodized



Non-Locking Door Pulls

NON LOCKING DOOR PULL (15-3/4" L)



Features:

- Set of (2) for back-to-back installation
- AISI 304 Solid Stainless Steel with a brushed finish
- Includes a set of kit connectors to join 2 door pulls together
- Dimensions: L = 15-3/4", C = 320 mm
- NOTE: Diameter thickness is thinner than our other non-locking door pulls shown below

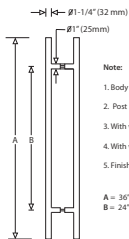
Use With:

- All door types
- Flex Series or View Series

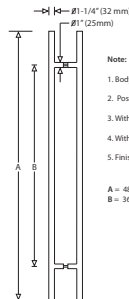
Finish Options:

- Brushed Stainless Steel
- Black Matte Smooth

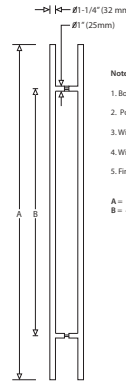
TCS - NON LOCKING DOOR PULLS (36"-72" L)



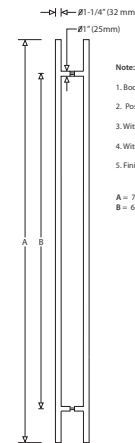
- Note:
1. Body tube Diameter: 1-1/4" (32mm)
 2. Post Diameter: 1" (25mm)
 3. With white grommet seals (Plastics)
 4. With white bushing
 5. Finished: BSS (Brushed)
- A = 36" (914 mm)
B = 24" (610 mm)



- Note:
1. Body tube Diameter: 1-1/4" (32mm)
 2. Post Diameter: 1" (25mm)
 3. With white grommet seals (Plastics)
 4. With white bushing
 5. Finished: BSS (Brushed)
- A = 48" (1220 mm)
B = 36" (914 mm)



- Note:
1. Body tube Diameter: 1-1/4" (32mm)
 2. Post Diameter: 1" (25mm)
 3. With white grommet seals (Plastics)
 4. With white bushing
 5. Finished: BSS (Brushed)
- A = 60" (1524 mm)
B = 44.3" (1125 mm)



- Note:
1. Body tube Diameter: 1-1/4" (32mm)
 2. Post Diameter: 1" (25mm)
 3. With white grommet seals (plastics)
 4. With white bushing
 5. Finished: BSS (Brushed)
- A = 72" (1828 mm)
B = 60" (1524 mm)

Features:

- Brushed stainless steel
- Includes white grommet seals (plastics) & white bushings
- 304 Stainless Steel (316 available upon request)
- L = 36", 48", 60", & 72"



Use With:

- All door types
- Flex Series or View Series

Finish Options:

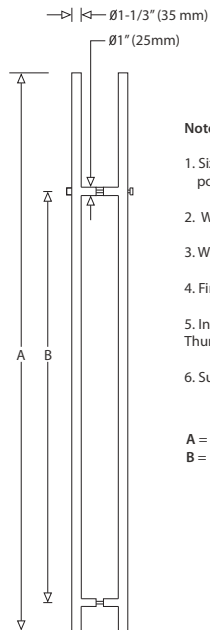
- Brushed Stainless Steel (standard)
- Black Matte Smooth
- Black Matte Textured
- Titanium Black Polished

(Measurements shown in mm unless specified otherwise)



Locking Door Pulls

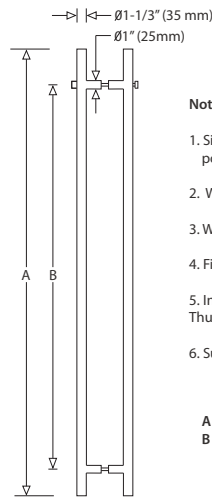
TCS - LOCKING DOOR PULLS



Note:

1. Size: OD- \varnothing 35mm*48" (1220mm)C&C1050mm, posts diameter is 35mm
2. With metal washers and grommet seals (Plastics)
3. With white bushings
4. Finished: BSS (Brushed)
5. Integral locking facility Key operated from outside Thumb turn inside (Factory supply without lock core)
6. Supply with spring floor receiver

A = 60" (1524 mm)
B = 44.3" (1125 mm)



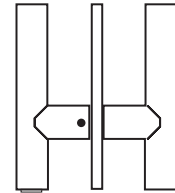
Note:

1. Size: OD- \varnothing 35mm*48" (1220mm)C&C1050mm, posts diameter is 35mm
2. With metal washers and grommet seals (Plastics)
3. With white bushings
4. Finished: BSS (Brushed)
5. Integral locking facility Key operated from outside Thumb turn inside (Factory supply without lock core)
6. Supply with spring floor receiver

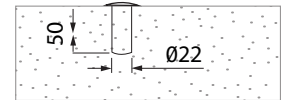
A = 48" (1220 mm)
B = 41.3" (1050 mm)



Spring Floor Receiver



Spring Floor Receiver Installation Detail



Features:

- Available Lengths: 48" and 60"
- Includes white grommet seals (plastics) & white bushings
- 304 Stainless Steel (316 available upon request)
- Includes: spring floor receiver & thumb turn lock (lock core separate)

Use With:

- All door types
- Flex Series or View Series

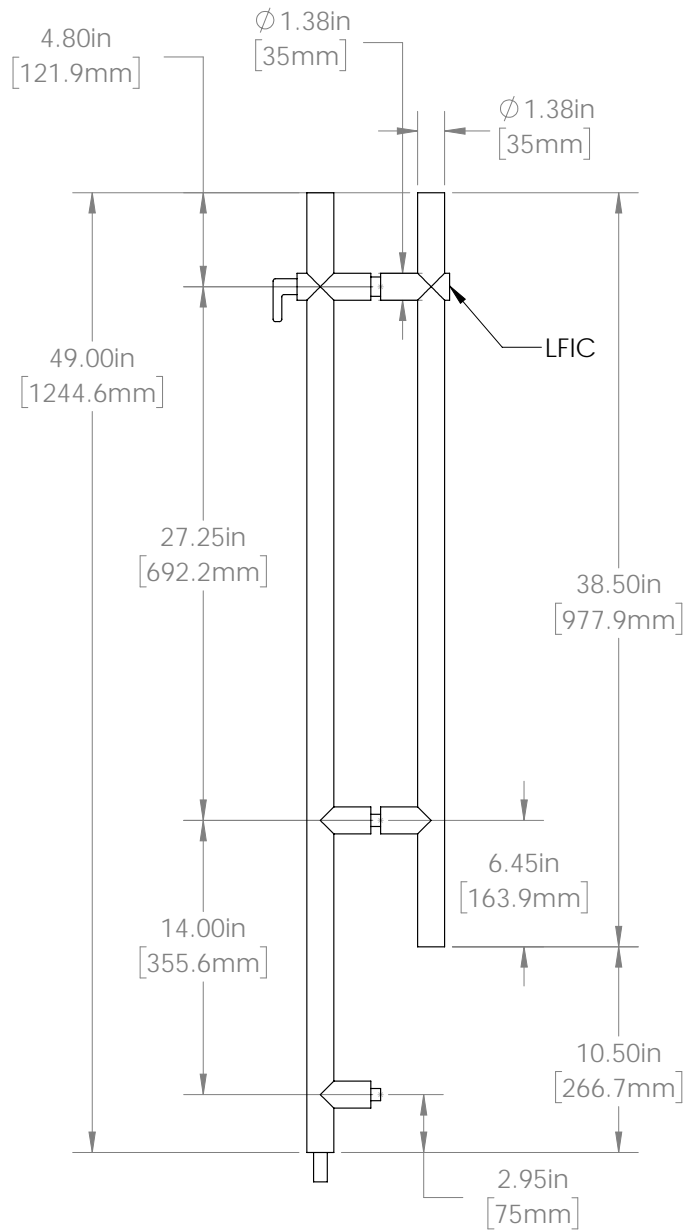
Finish Options:

- Brushed Stainless Steel (standard)
- Black Matte Smooth
- Black Matte Textured
- Titanium Black Polished



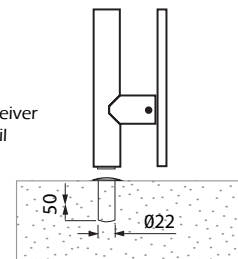
Custom Door Pulls

TCS - CUSTOM LOCKING DOOR PULL (LARGE FORMAT INTERCHANGEABLE CORE)



Spring Floor Receiver

Spring Floor Receiver
Installation Detail



Features:

- Available lengths: 24", 36", 48", 60", 72", and 84"
- Brushed stainless steel, Polished stainless steel, and Matte Black finishes
- Includes white grommet seals (plastics) & white bushings
- Body tube diameter: 1.38" (35mm)
- Post diameter: 1.38" (35mm)
- Includes: spring floor receiver & thumb turn lock (lock core separate)
- LFIC Lock (Large Format Interchangeable Core)

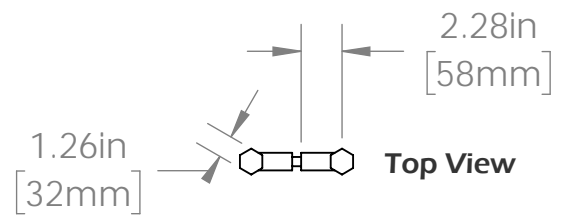
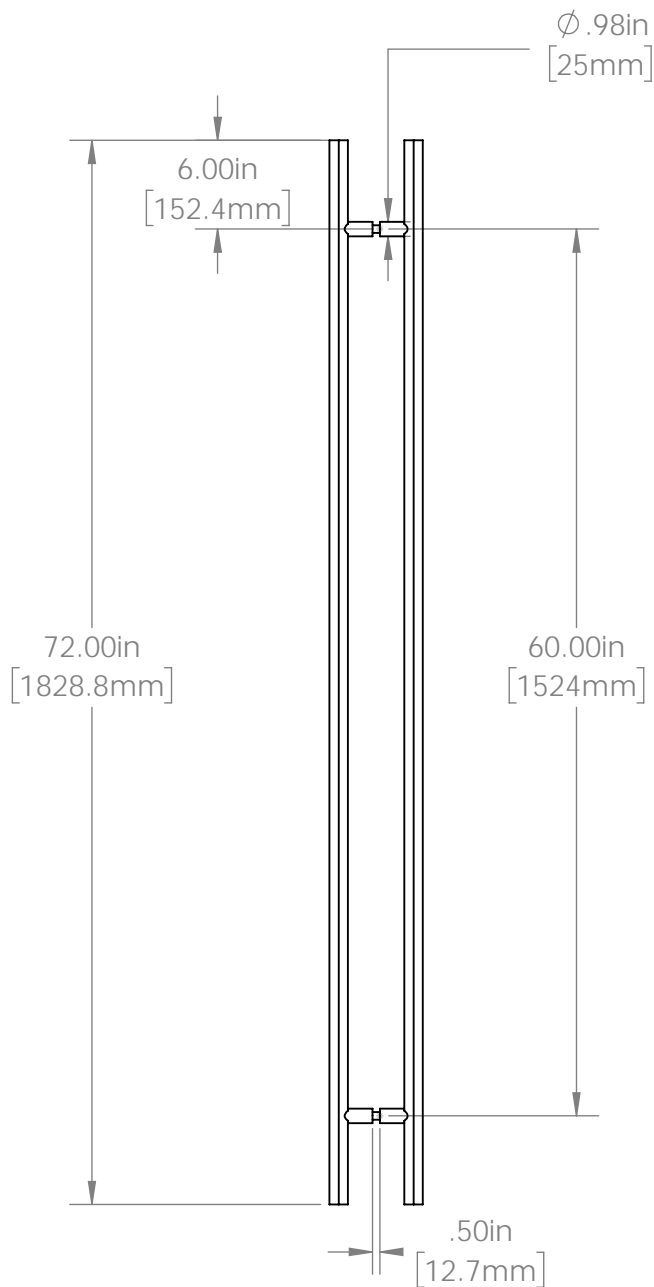
Use With:

- All door types
- Flex Series or View Series

Finish Options:

- Brushed stainless steel
- Polished stainless steel
- Matte Black

TCS - NON-LOCKING HEXAGONAL DOOR PULLS



Features:

- Available lengths: 24", 36", 48", 60", 72"
- Polished stainless steel
- 1.26" (32mm) Hexagonal body tube
- Post diameter: 0.98" (25mm)
- Includes clear grommet seals (Plastics) & white bushings

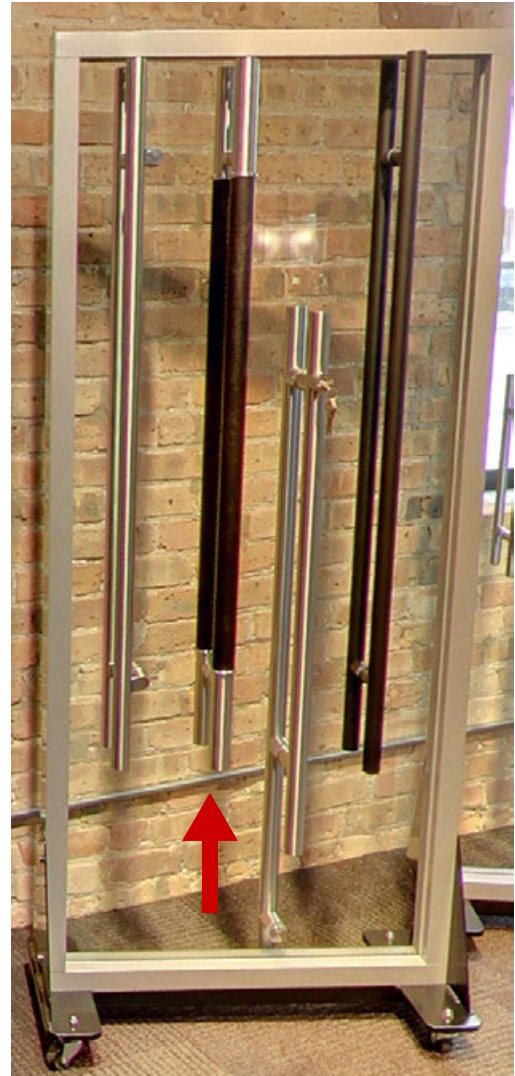
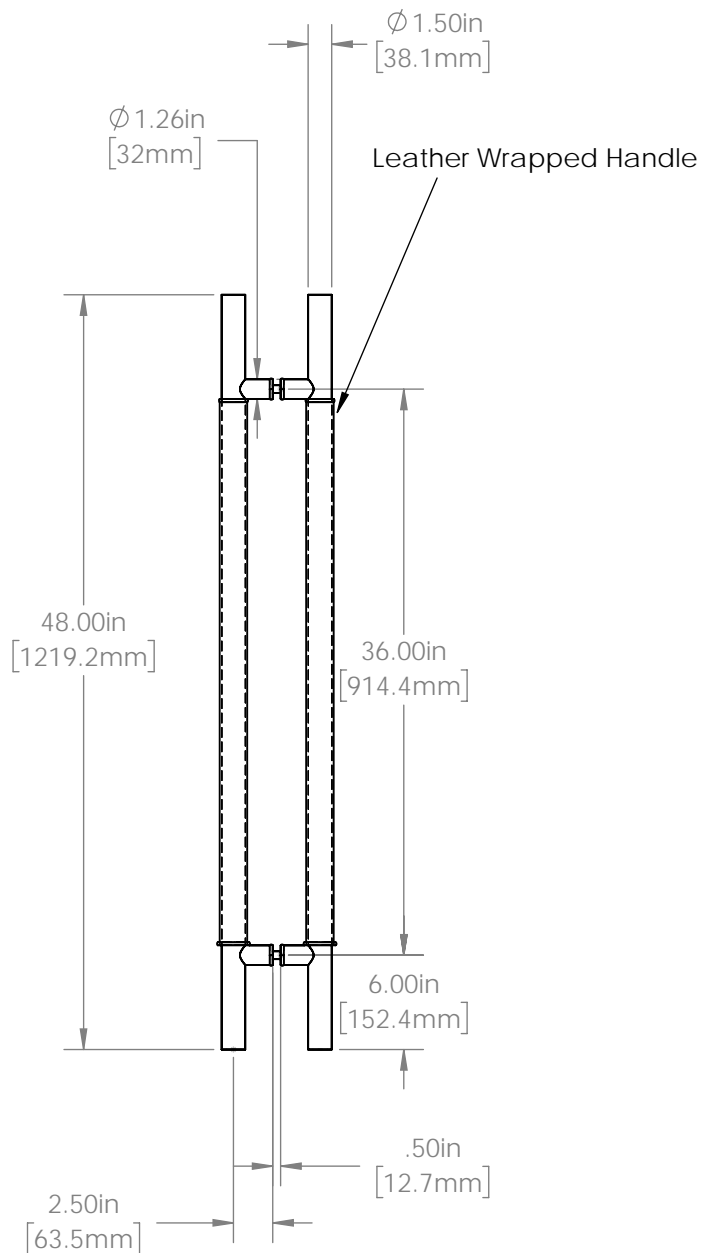
Use With:

- All door types
- Flex Series or View Series

Finish Options:

- Brushed stainless steel
- Polished stainless steel
- Matte Black

TCS - NON-LOCKING LEATHER COVER DOOR PULLS



Features:

- Available lengths: 24", 36", 48", 60", 72"
- Body tube diameter: 1.5" (38.1mm)
- Post diameter: 1.26" (32mm)
- Leather wrapped handle
- Includes white grommet seals (Plastics) & white bushings

Use With:

- All door types
- Flex Series or View Series

Finish Options:

- Handle Cover:**
- Black leather
 - Brown leather

Metal Pull:

- Brushed stainless steel
- Polished stainless steel
- Matte black