

BYRNE

8 - TRAC OVERVIEW

1) Introduction

Byrne Electrical Specialists, Inc. provides quality, cost effective, innovative power/data distribution solutions. From initial concept to final product design, Byrne Electrical Specialists Inc.'s in-house vertical integration of product design, injection molding, assembly, and UL Listing assures consistent product performance, quality and service.

The Byrne 8-Trac System is adaptable to all architectural elements. It can be utilized in modular furniture, ceiling applications, floor to ceiling partitions, and raised flooring. The System will accommodate panel applications of 2" to 3 1/2" thick with harnesses available from 12" to 1800" in length. Assemblies are 100% electrically tested to ensure the highest quality and reliability.. Multiple iterations are available to accommodate the different architectural elements. The standard options shown represent a fraction of total product offering. Consult a project engineer to provide the best solution for your application.

2) Universally Recognized

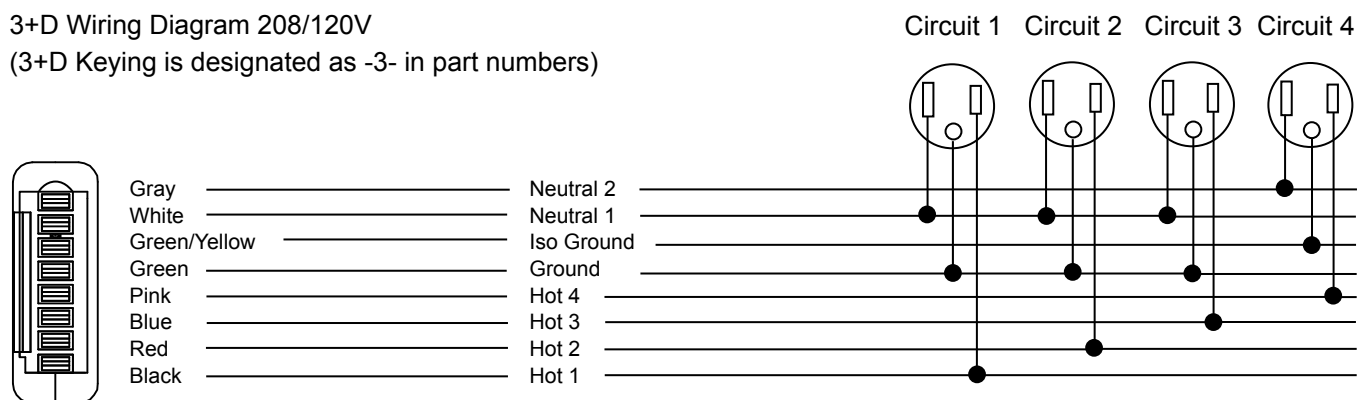
The Byrne 8-Trac System is UL Recognized as an Office Furnishing Accessory (UL 1286), and is UL Listed as a Manufactured Wiring System (UL 183) in full compliance with electrical specifications found in the National Electrical Code (NEC). It also complies with municipal standards such as New York, Los Angeles & San Francisco.

3) Circuitry/Keying

The Byrne 8-Trac System is rated for 20 amps allowing the use of 4 circuits with 4 line conductors, 2 neutrals and 2 grounds. Under NEC requirements, up to 13 duplex receptacles may be used per circuit, with a total of 52 available receptacles if all circuits are used, per single power entry. The line conductors are 12 AWG, and share a 12 AWG ground and a 10 AWG neutral. The fourth circuit is isolated and dedicated, and is serviced by its own line conductor, neutral and isolated ground. Alternate circuit diagrams are available. The Byrne System can be wired in both single and three-phase configurations, 240/120V, 208/120V respectively. Additionally, a 3 hot, 3 neutral, 2 ground (3-3-2) wiring system is available.

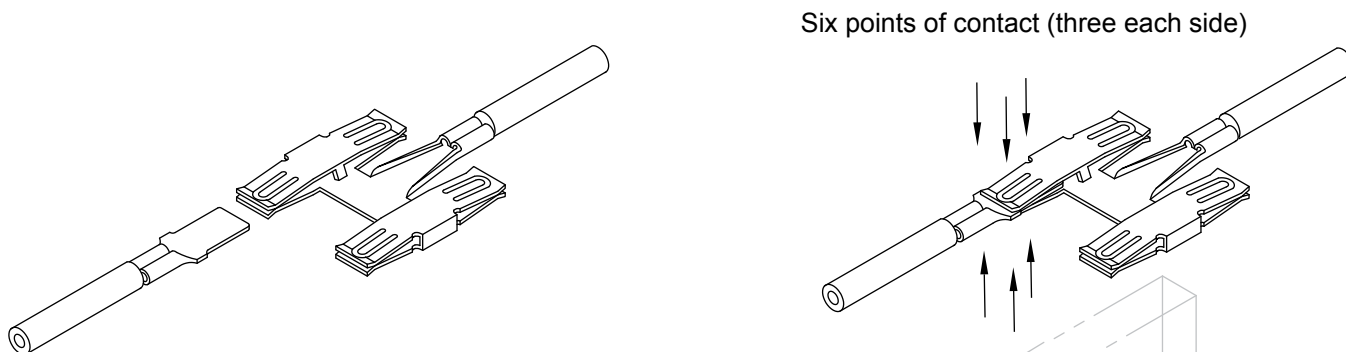
3+D Wiring Diagram 208/120V

(3+D Keying is designated as -3- in part numbers)



4) Contact

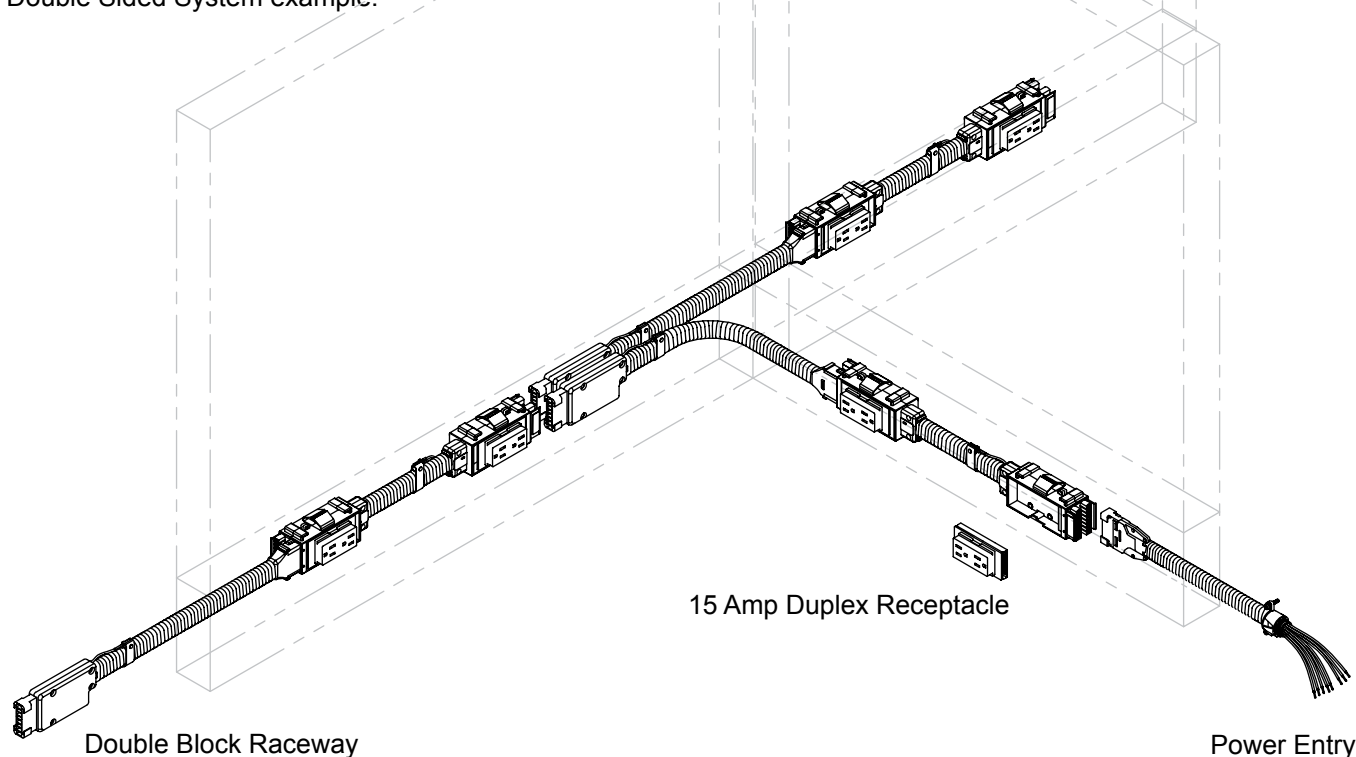
The center of the Byrne 8-Trac System is the patented six point contact terminal. This Quad Terminal is rated at over 50 amps, offering built in overload insurance. The design efficiently distributes power, reducing the contact resistance. The six points of contact provide a stable connection, eliminating rocking.



5) Flexibility

The practical design of the Byrne 8-Trac System combines junction blocks, jumpers and power infeeds into one modular assembly. With 3-1/2" of adjustability, different length harnesses for 90 degree and "T" panel conditions are not required. Power is routed through extremely flexible oval metal conduit, which makes traversing sharp corners easy.

Double Sided System example:

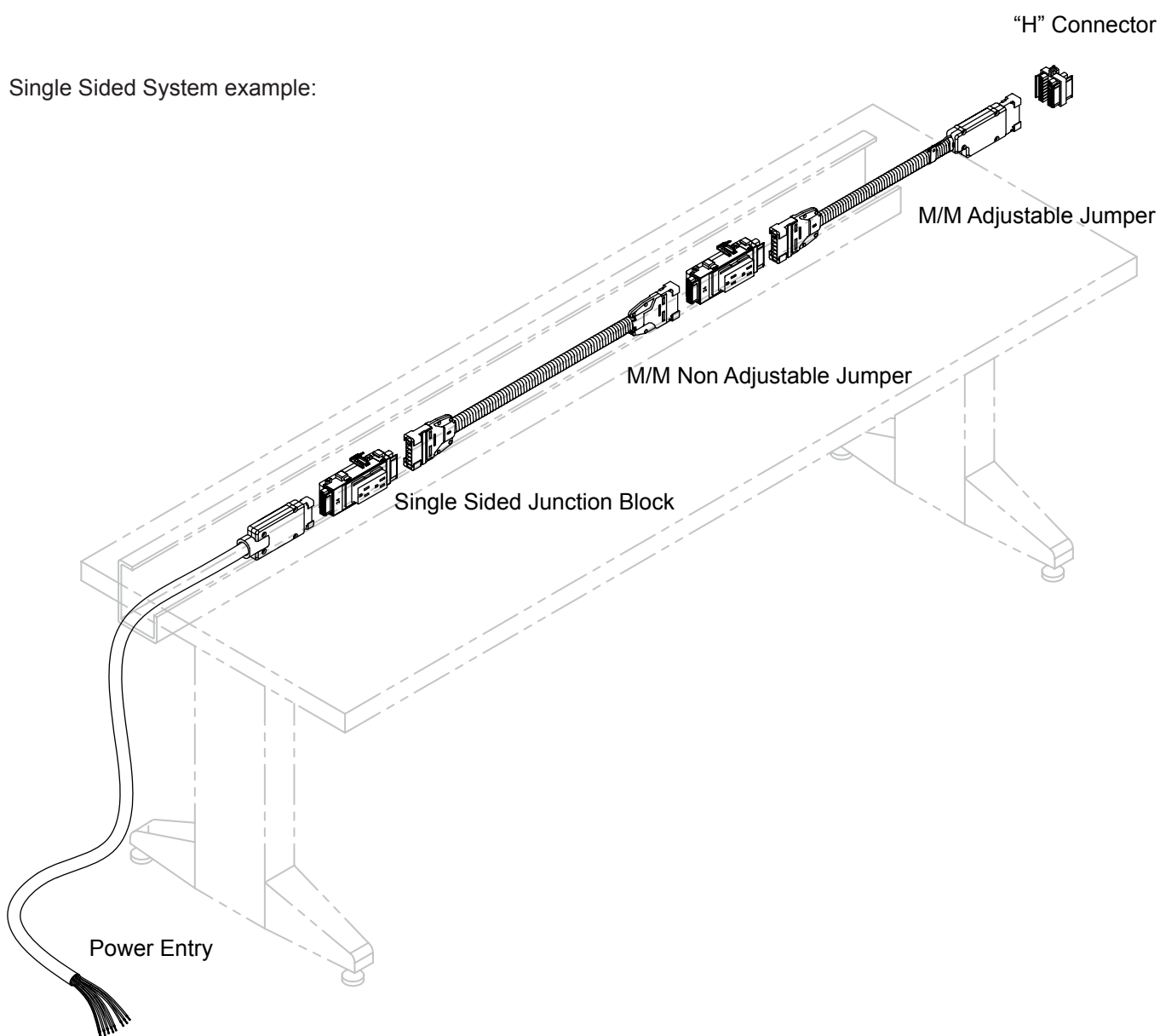


The Byrne 8-Trac System is available in both single and double block options, allowing for a more economical way of placing duplexes. Pass Thru Jumpers are also available if power outlets are not required. A variety of power feed options for single and multi-circuit applications are available to distribute power for any facility plan.

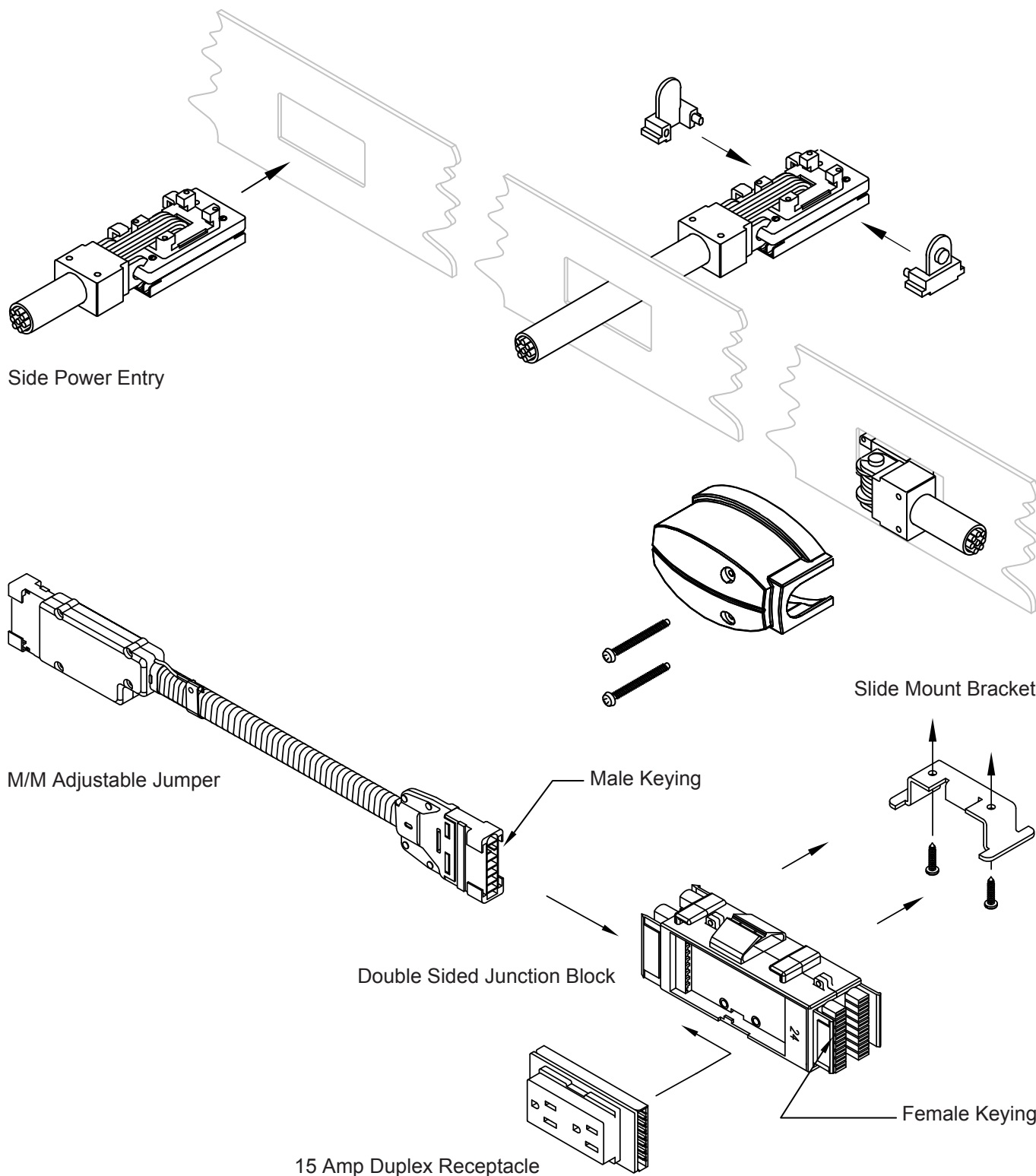
6) Installation

All connections are positive locking, assured by keyed terminal housings. The patented slide mount block is easily installed on site after panel or table assembly.

Single Sided System example:



The patented Side Power Entry rotates 180 degrees allowing installation in either direction after hardwiring to the building electrical supply. Receptacles simply snap in with a positive locking tab feature that assures positive contact to the power blocks. Power blocks, harnesses and receptacles are installed without tools.



Side Power Entry

Slide Mount Bracket

M/M Adjustable Jumper

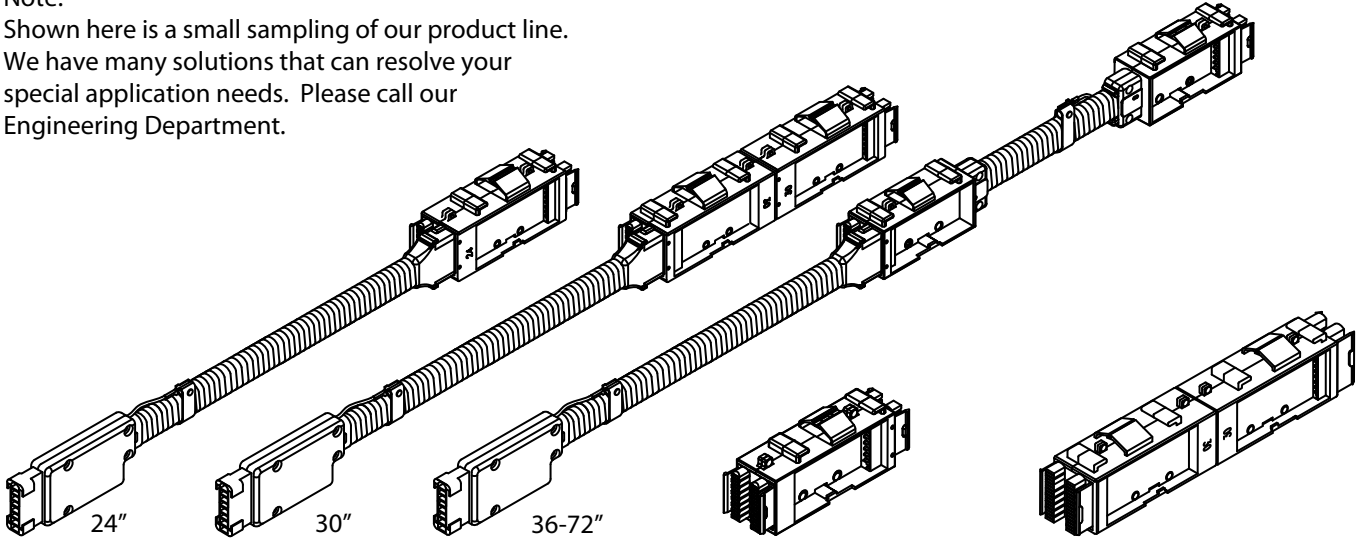
Male Keying

Double Sided Junction Block

Female Keying

15 Amp Duplex Receptacle

Note:
 Shown here is a small sampling of our product line.
 We have many solutions that can resolve your
 special application needs. Please call our
 Engineering Department.



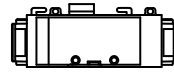
Double Block Raceway
 BE08062-X-X-XX
 Keying ———
 Mount Style ———
 Length ———

Single Block
 BE08062-X-X-00
 Keying ———
 Mount Style ———

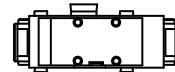
Double Block
 BE08290-X-X-30
 Keying ———
 Mount Style ———

Junction Block Mounting Styles Available:
 (others options available, not shown)

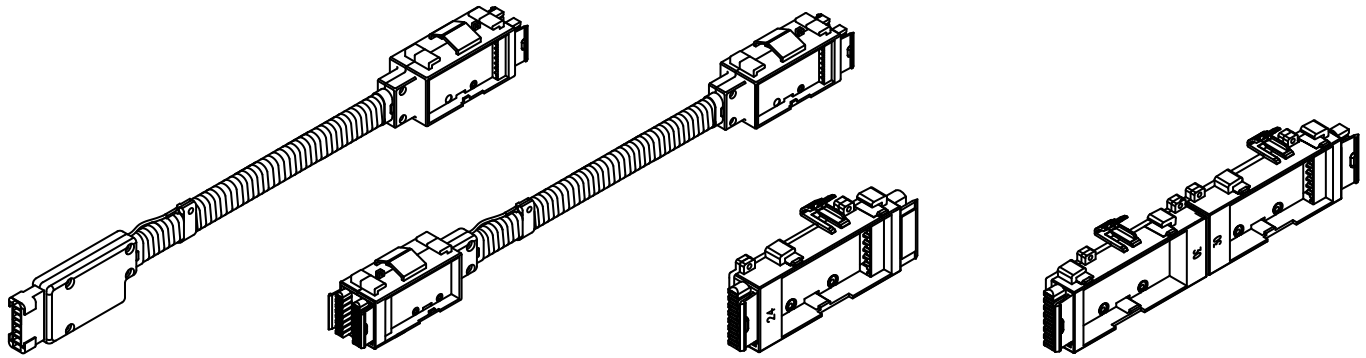
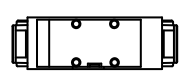
2 - Slide Mount (Standard)



3 - Pivot Mount



7 - No Mount

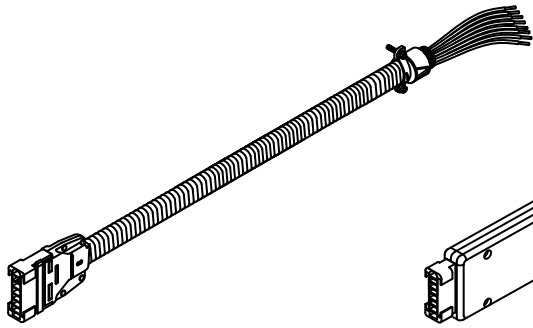


Branching Pass Thru
 BE08068-X-X-XX
 Keying ———
 Mount Style ———
 Length ———

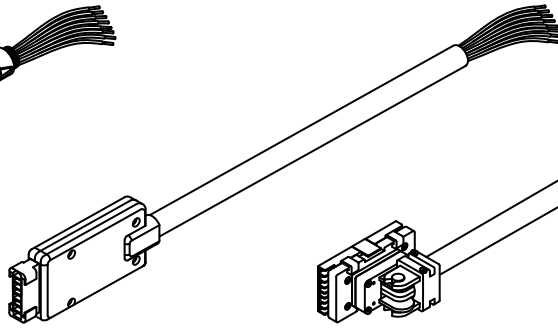
Double Block System
 BE08289-X-X-XX-XX
 Keying ———
 Mount Style ———
 Panel Length ———
 Length ———

Single Half Block
 BE08381-X-X-00
 Keying ———
 Mount Style ———

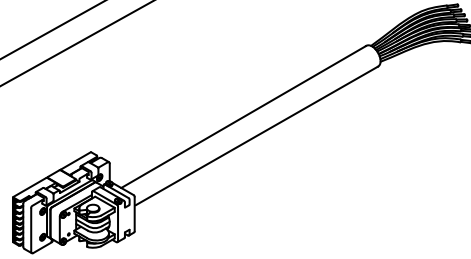
Double Half Block
 BE08382-X-X-30
 Keying ———
 Mount Style ———



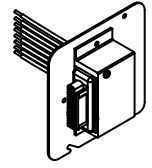
Power Entry, Conduit
BE08092-X-X
Keying
Length



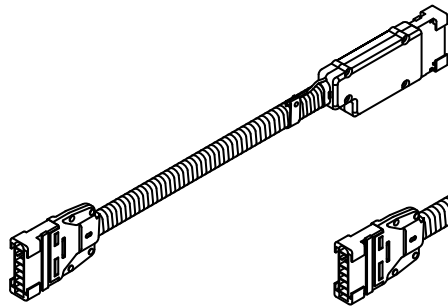
Power Entry, Liquid Tight
BE08180-X-X
Keying
Length



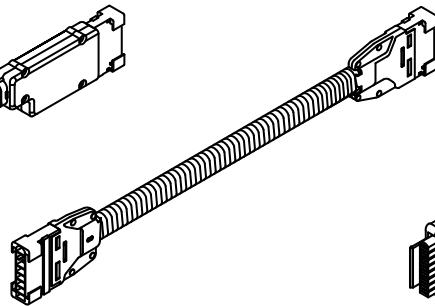
Side Power Entry
BE08066-X-X-XX
Keying
Height
Length



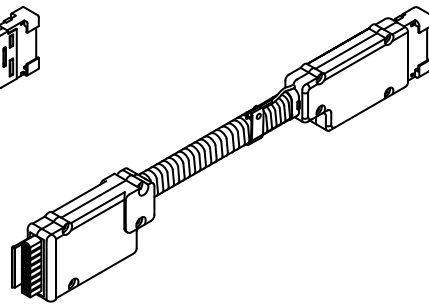
Rotating
Power Entry
BE08496-X-06
Keying



M/M Adjustable Jumper
BE08116-X-X
Keying
Length



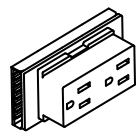
M/M Non-Adjustable Jumper
BE08177-X-X
Keying
Length



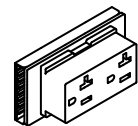
M/F Adjustable Jumper
BE08086-X-X
Keying
Length



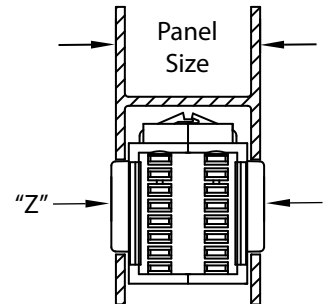
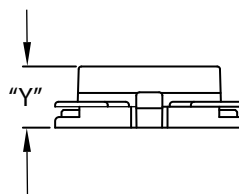
"H" Connector
BE08299-X
Keying



15 Amp Duplex Receptacle
BE08065-X-X-X-X
Keying
Receptacle
Height
(A - G Height)
Circuit
Color



20 Amp Duplex Receptacle
BE08498-X-X-X-X
Keying
Receptacle
Height
(C - G Height)
Circuit
Color



Receptacle Height

Byrne Part Number	Panel Size	Dim. "Y"	Dim. "Z"
BE08065-3-AXX	2.00	.875	2.14
BE08065-3-BXX	2.25	1.000	2.39
BE08065-3-CXX	2.50	1.125	2.64
BE08065-3-DXX	2.75	1.250	2.89
BE08065-3-EXX	3.00	1.375	3.14
BE08065-3-FXX	3.25	1.500	3.39
BE08065-3-GXX	3.50	1.625	3.64