



Maglock Installation

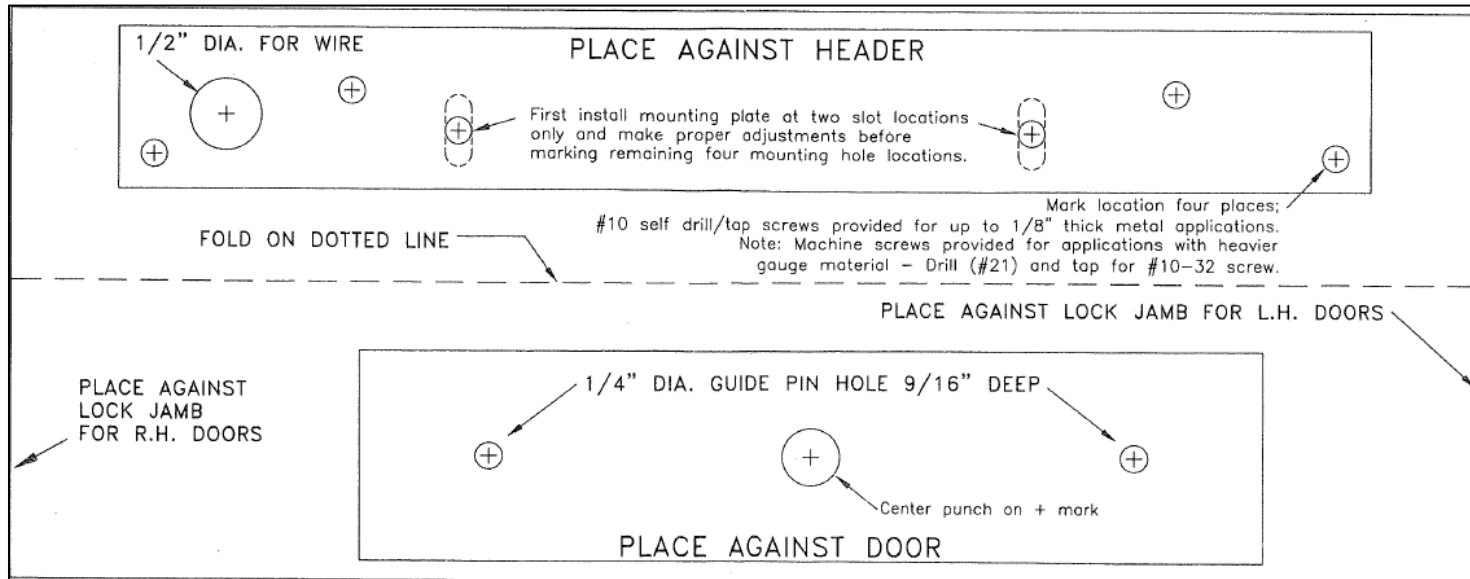
Aluminum Framed Glass Door

****Installation process can also be used for Wood Doors****

Materials:

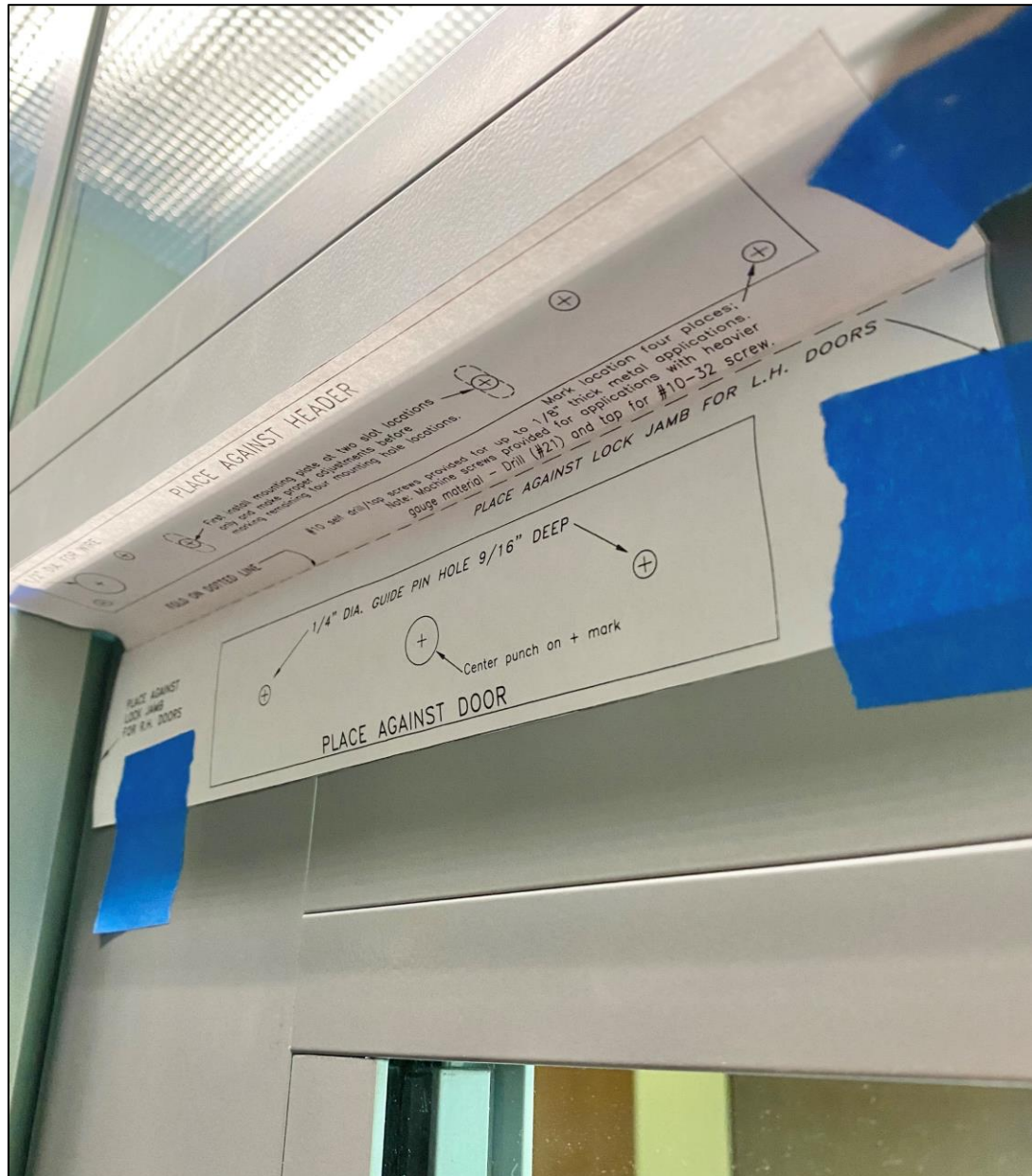


Package Includes All Necessary Hardware



**Note: Template is for reference only. Template is not to scale.
Use the provided template in the package.**

Template Placement:



Follow the instructions on the template to position the template on the door.

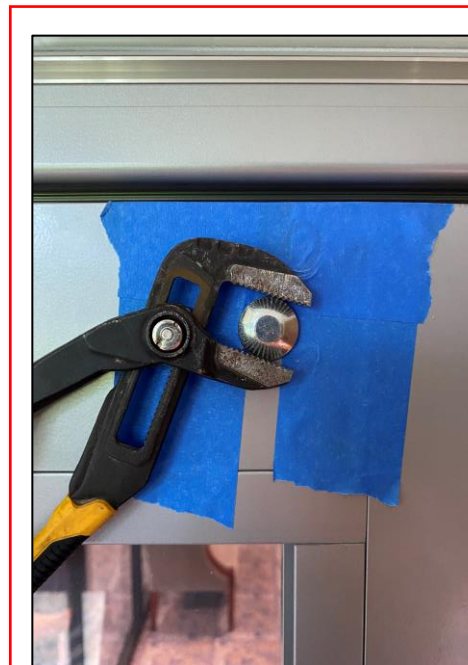
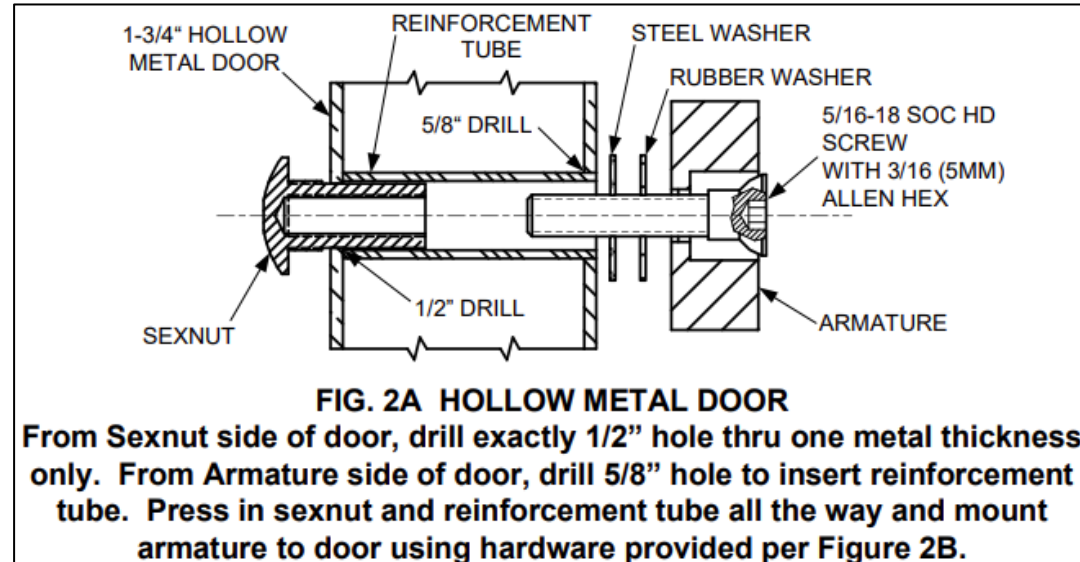
Mark or pre-drill small pilot holes at all locations noted on the template.

- If pre-drilling pilot holes use a drill bit 1/16" or smaller.

There will be a through bolt for mounting the Armature (steel plate) to the door. For the hole location on the opposite side of the door either drill a hole straight through the door or mark the location of the center hole to match the front of the door.

Armature Installation:

Follow the provided installation instructions for hole sizes to install the hardware for the Armature.

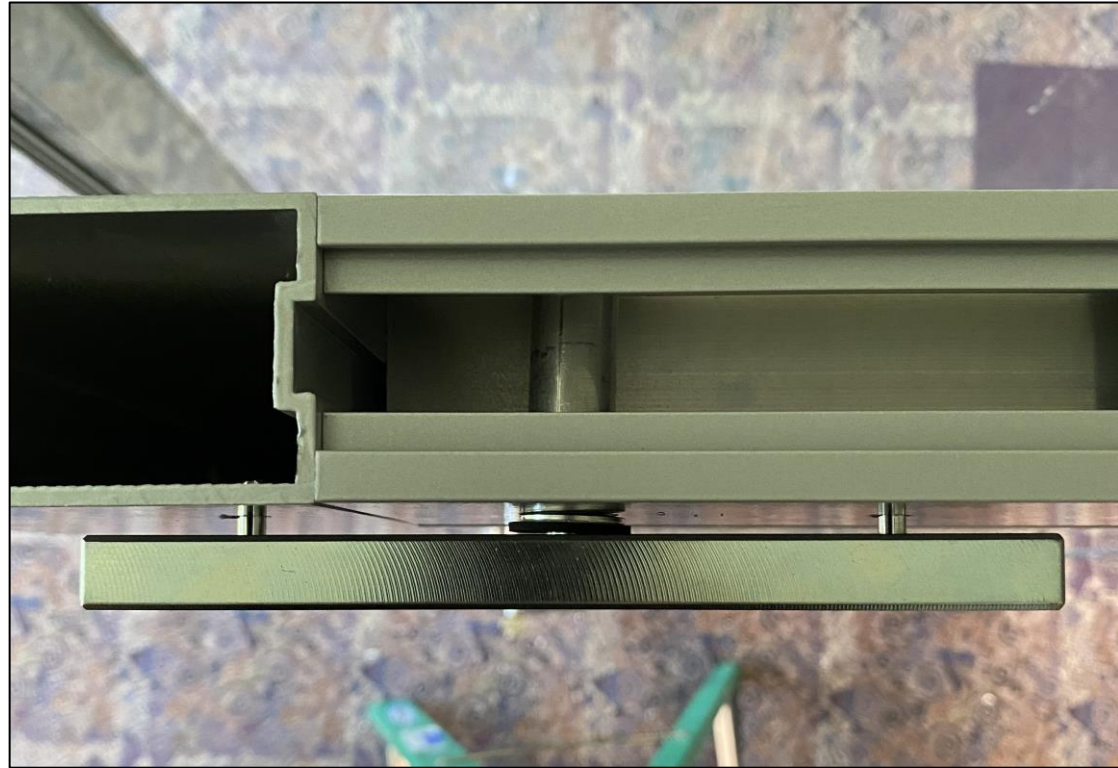


When tightening the "Sexnut" on the opposite side of the door pliers may need to be used to hold the Sexnut from spinning when tightening the through bolt. Protect the door with painter's tape.

Armature Installation Completed:



Side View of Door Armature

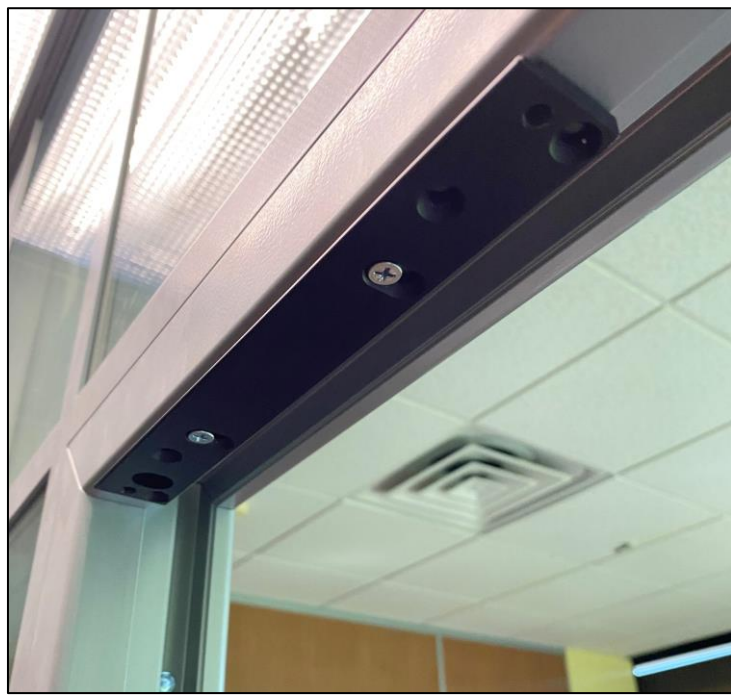


Overhead View of Door Armature

Armature installation completed.

Note: The Armature will be spaced away from the door. This allows the Armature to pivot for a secure connection when the Maglock is activated.

Maglock Mounting Plate Installation:



Mount the Maglock Mounting Plate to the door header.

The holes initially marked or drilled on the template for the header are the slotted holes. Use the provided self-tapping screws to attach the mount. Leave the screws loose enough to allow the plate to move within the slotted holes.



Install the Maglock onto the mounting plate, tighten the bolts to hold the Maglock tight to the plate. Close the door allowing the Armature to contact the Maglock. The door in the closed position will locate the mounting plate within the slotted holes.



Remove Maglock from the plate. Anchor the plate using the provided self-tapping screws. The holes can be pre-drilled using an 1/8" drill bit.

Maglock Installation Completed:



Wiring for the Maglock to be completed by an Electrician or Security contractor.