

Nxtwall Installation Instruction

Installation Scenario:

Flex Series Flex Post Installation.

- This guide covers how to build a Flex Post for Floor to Ceiling Applications.
- This guide applies to all Flex Series applications.
 - Full Height Swing Door (Pages 3-6)
 - Non-Full Height Swing Door (Pages 3-6)
 - Non-Full Height Sliding Door (Pages 3-6)
 - Full Height Sliding Door (Pages 7-10)

Nxtwall Components Covered by this Instruction:

- Flex Post
- Flex Track
- Flex Stud
- Genesis Stud
- Flex L-Brackets

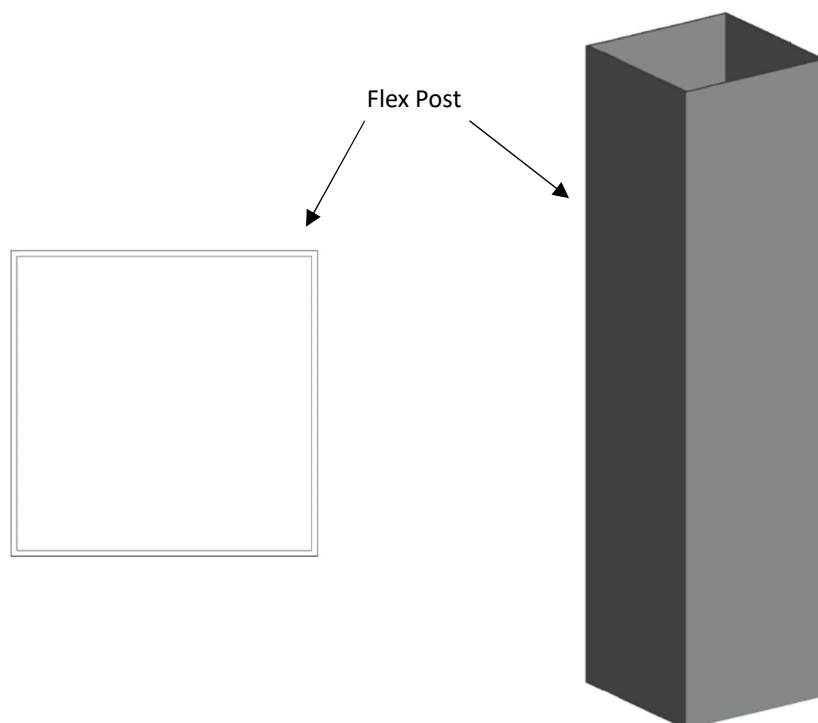
Recommended Installation Tools:

- Miter Saw
- Laser Level (or Level)
- Tape Measure
- Impact Driver and/or Drill
- Nylon Mallet/Rubber Mallet
- Phillips Screwdriver
- Utility Knife
- Hammer Drill
- External Attaching Hardware
 - Note: Nxtwall does not include external attaching hardware.
- Cabling/Bracing (If Needed)
 - Note: Nxtwall does not include cabling/bracing.

Flex Post Function

- The function of the Flex Post is to create 90° turns within the layout of the wall system.

Fig. 1

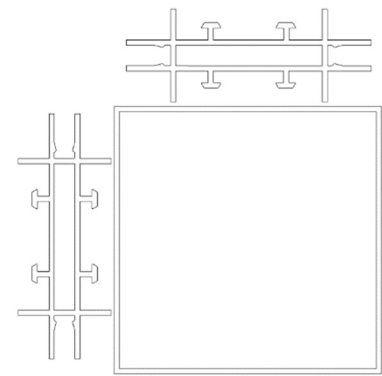


Nxtwall Installation Instruction

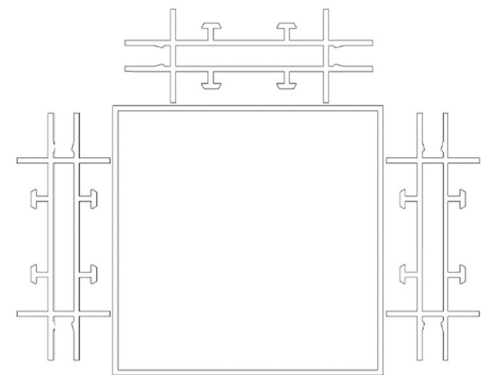
Flex Post Configurations:

- Anytime there is a Partition coming off a Flex Post there will be a Flex Stud attached to the Post. Fig. 2.
 - The length of the Flex Stud is dependent on the situation. These situations will be covered later in this guide.
- Once the solid and/or glass panels have been installed, Flex Trim will be installed onto the Flex Studs. The Flex Trim will be flush with the edge of the Flex Post. Fig. 3.

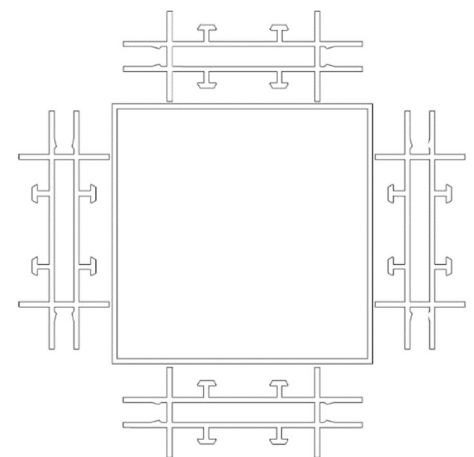
Fig. 2



2 Way



3 Way



4 Way

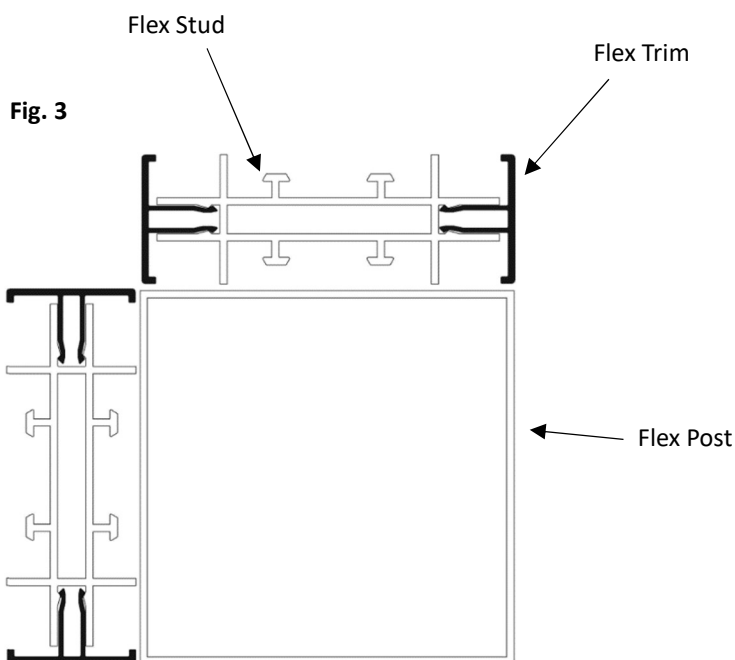


Fig. 3

Nxtwall Installation Instruction

Flex Post Construction/Installation

- This section will cover Flex Series applications for:
 - Full Height Swing Doors
 - Non-Full Height Swing Doors
 - Non-Full Height Sliding Doors
 - Non-Door Opening Partitions

Flex Post Installation: Door Opening Locations

1. Cut Flex Post to length.
 - a. Note: The length will be the Floor to Ceiling measurement.
2. Determine the configuration of the Flex Post and which side of the Flex Post will be the door opening.
3. Measure and cut the Flex Stud attaching to the Flex Post.
 - a. For Door Openings the Flex Stud length will be:
 - i. **(Length of Post) – 3/4"**
 - b. For door openings the bottom of the Flex Stud will be flush with the bottom of the Post and 3/4" down from the top of the Post. Fig 4.
4. Center the Flex Stud on the Post and attach using 4 – 1 1/4" Framing Screws.
 - a. Note: At the top of the Post keep the attaching screw at least 6" down from the top of the Stud. This will ensure the attaching screw does not interfere with the L-Bracket. Fig. 5.
 - b. Use small pieces of Flex Trim when positioning the stud on the post. The edges of the trim will be flush with the edges of the post.

Fig. 4

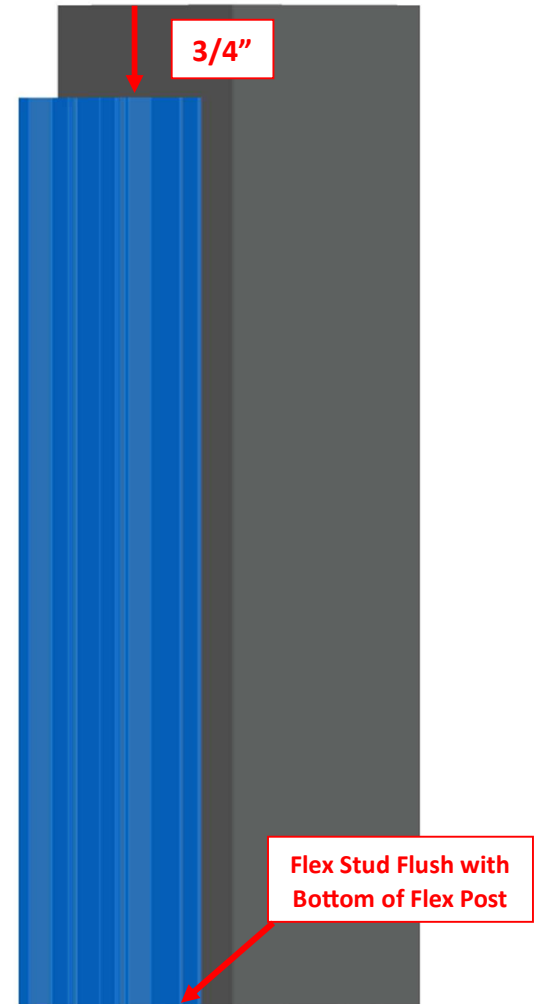
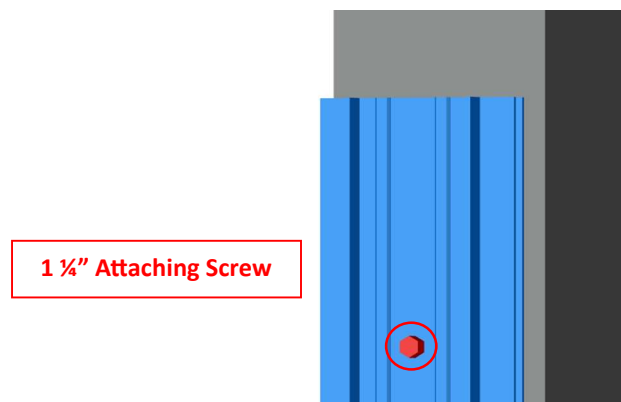


Fig. 5



Nxtwall Installation Instruction

5. Attach the Flex Track at the ceiling to the Flex Post. Fig. 6.
 - a. Slide Flex L-Bracket into the center of the Flex Stud.
 - b. Attach L-Bracket to the Stud using 2 – 3/4" Framing Screws
6. Create a tight fit between the Flex Track and the Flex Post. Once tight, tighten the set screw. Fig. 7.
 - a. To ensure the connection stays tight, run a framing screw through an open hole in the L-Bracket and into the Flex Track.
7. Make sure the Flex Post is plumb prior to connecting to other Partitions.

Fig. 6

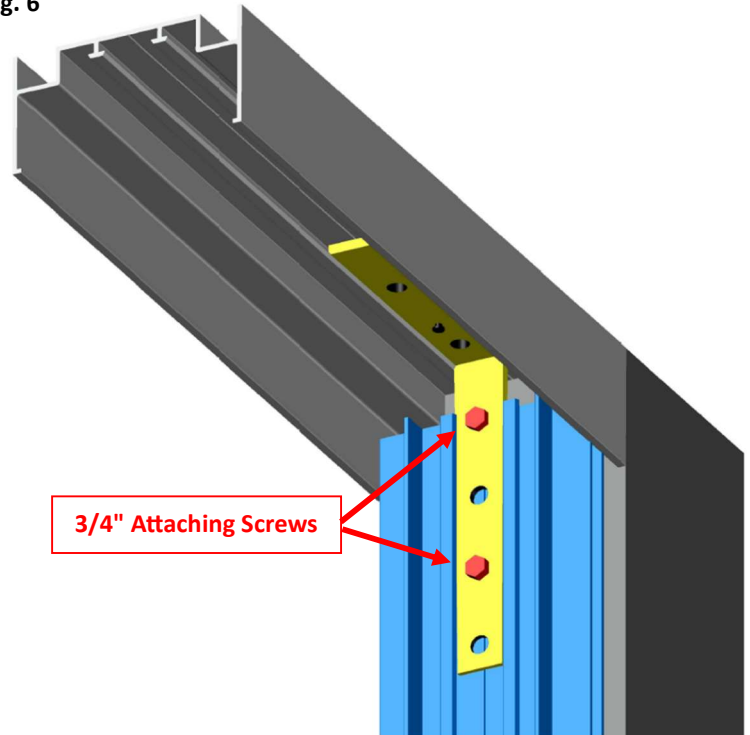
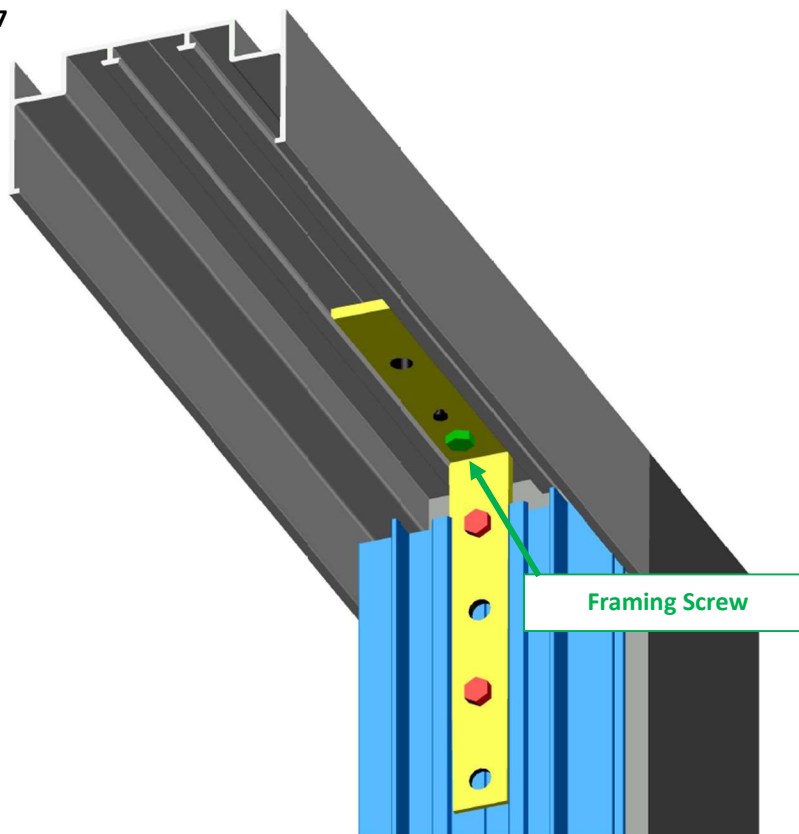


Fig. 7



Nxtwall Installation Instruction

Flex Post Installation: Non-Door Opening Locations

1. Cut Flex Post to length.
 - a. Note: The length will be Floor to Ceiling measurement.
2. Determine the configuration of the Flex Post and which side of the Flex Post will be the non-door opening side(s).
3. Measure and cut the Flex Stud attaching to the Flex Post. Fig. 8.
 - a. For Non-Door Openings the Flex Stud length will be:
 - i. **(Length of Post) – 1 1/2"**
 - b. For non-door openings the bottom of the Flex Stud will be 3/4" up from the bottom of the Post and 3/4" down from the top of the Post.
4. Center the Flex Stud on the Post and attach using 4 – 1 1/4" Framing Screws.
 - a. Note: At the top and bottom of the Post keep the attaching screw at least 6" down from the top of the Stud and 6" up from the bottom of the stud. This will ensure the attaching screw does not interfere with the L-Bracket. Fig. 9.
 - b. Use small pieces of Flex Trim when positioning the stud on the post. The edges of the trim will be flush with the edges of the post.

Fig. 8

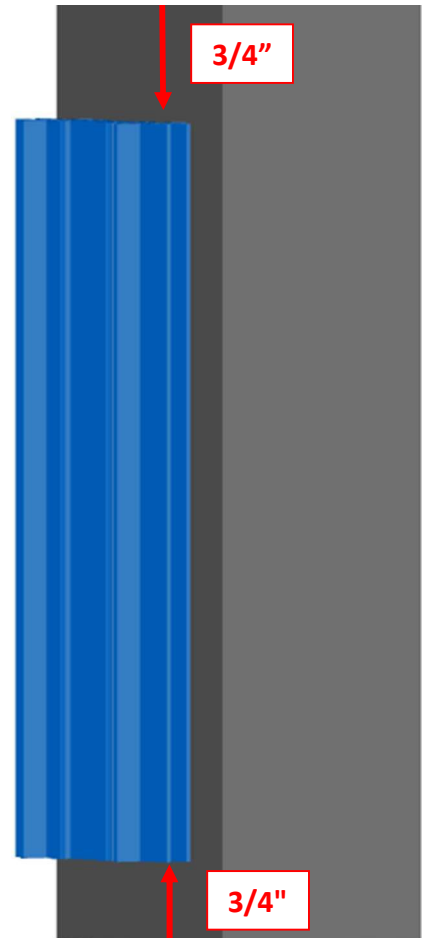
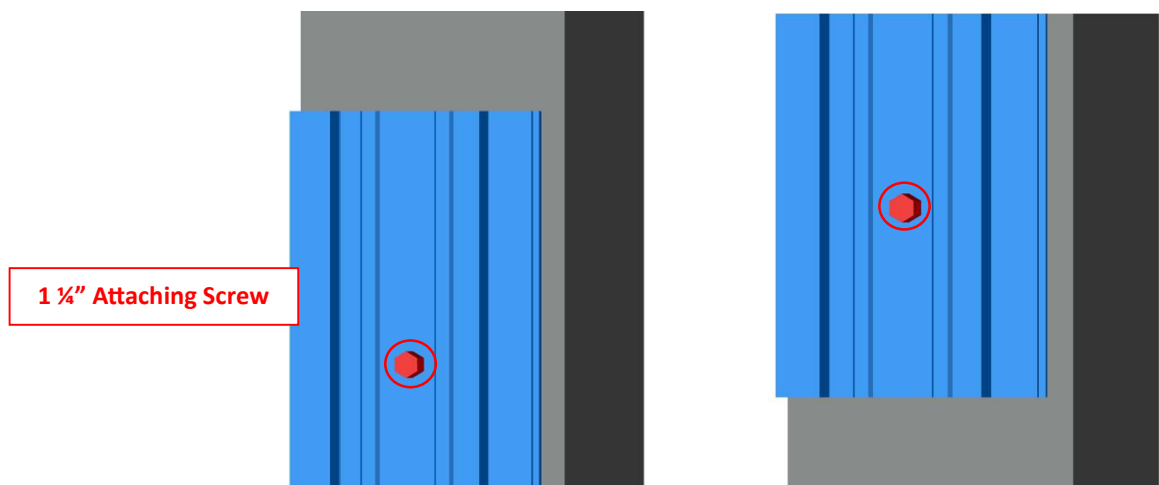


Fig. 9



Nxtwall Installation Instruction

5. Repeat steps 5-7 on Page 4 for connecting the Flex Track at the ceiling to the top of the Flex Post.
6. Plumb the Flex Post.
7. At the floor slide the Flex Track under the Flex Stud and tight to the Post.

Fig. 10

8. Attach the L-Bracket to the Post using 3/4" Framing Screws. Fig. 11.
9. Run an anchoring screw through one of the open holes in the L-Bracket and into the floor. This will help secure the Flex Post in place. Fig. 12.

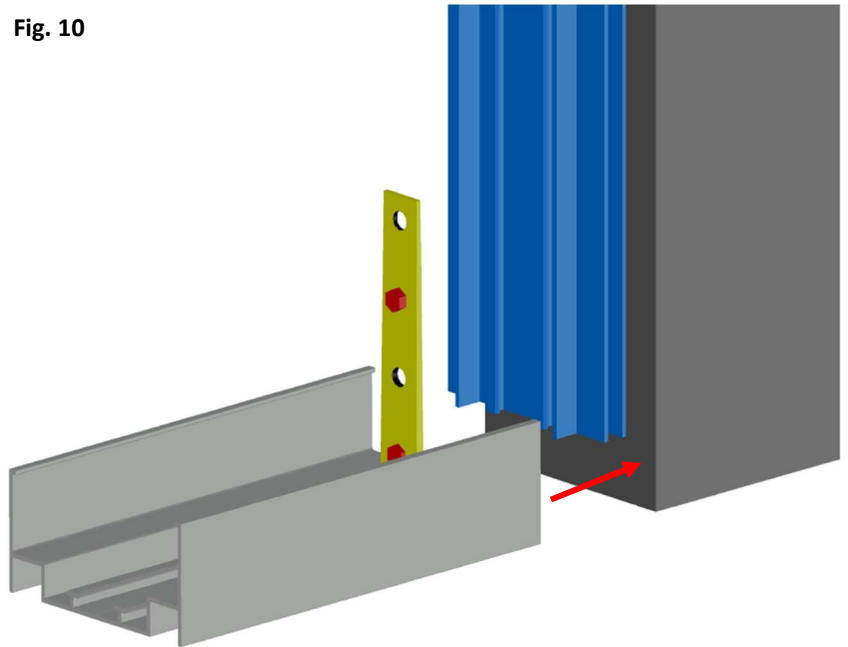
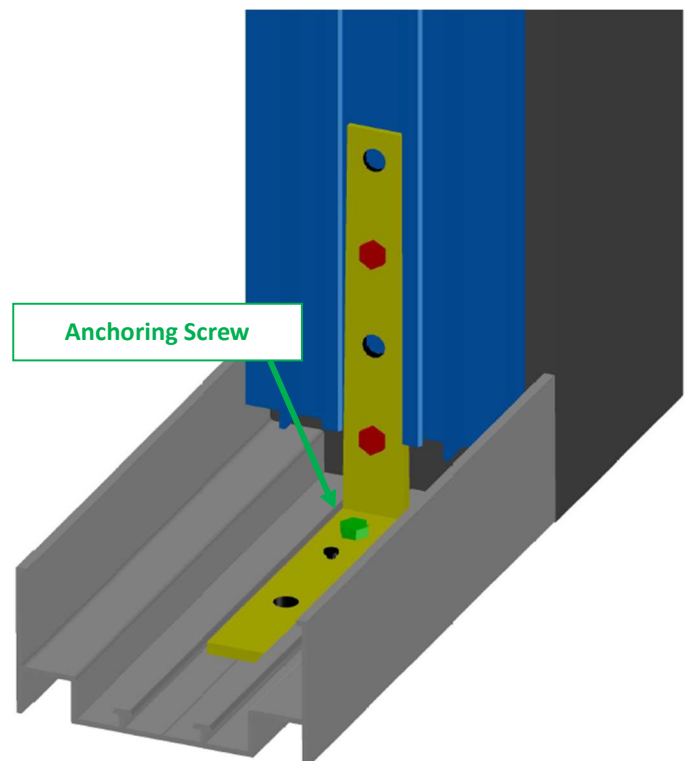
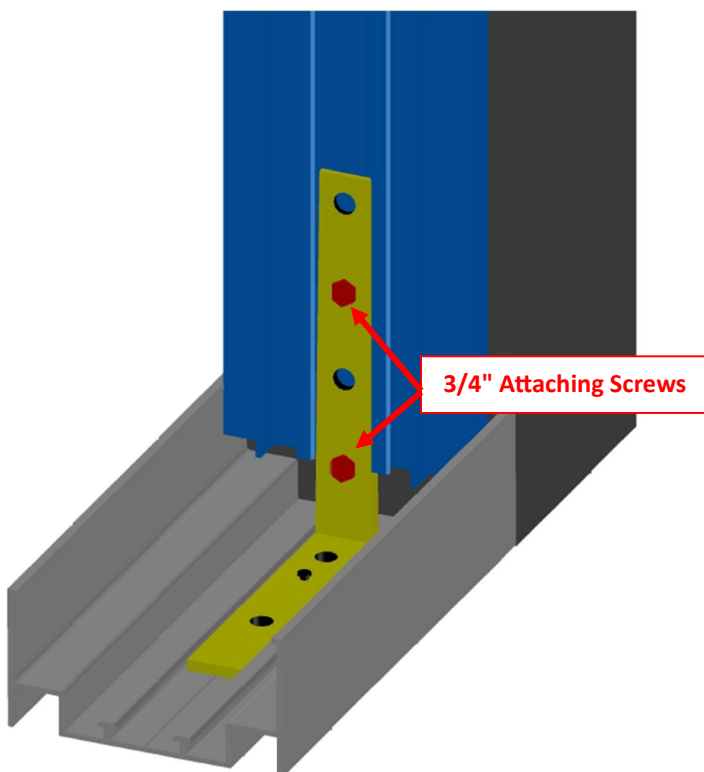


Fig. 12

Fig. 11



Nxtwall Installation Instruction

Flex Post Construction/Installation

- This section will cover Floor to Ceiling applications for:
 - Full Height Sliding Doors

Flex Post Installation: Door Opening Locations

1. Cut Flex Post to length.
 - a. Note: The length will be the Floor to Ceiling measurement.
2. Determine the configuration of the Flex Post and which side of the Flex Post will be the door opening.
3. Measure and cut the Flex Stud attaching to the Flex Post.
 - a. For Door Openings the Flex Stud length will be:
 - i. **(Length of Post) – 1 5/8"**
 - b. For door openings the bottom of the Flex Stud will be flush with the bottom of the Post and 1 5/8" down from the top of the Post. Fig 13.
4. Center the Flex Stud on the Post and attach using 4 – 1 ¼" Framing Screws.
 - a. Note: At the top of the Post keep the attaching screw at least 6" down from the top of the Stud. This will ensure the attaching screw does not interfere with the L-Bracket. Fig. 14.
 - b. Use small pieces of Flex Trim when positioning the stud on the post. The edges of the trim will be flush with the edges of the post.

Fig. 13

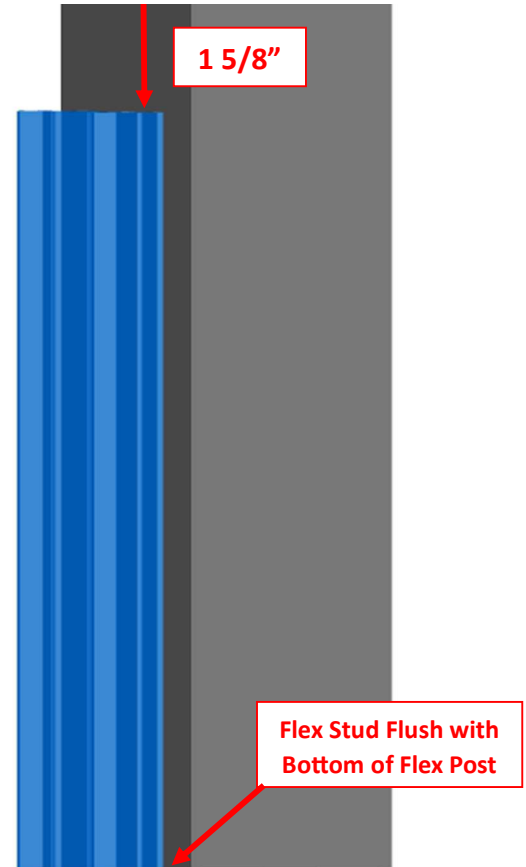
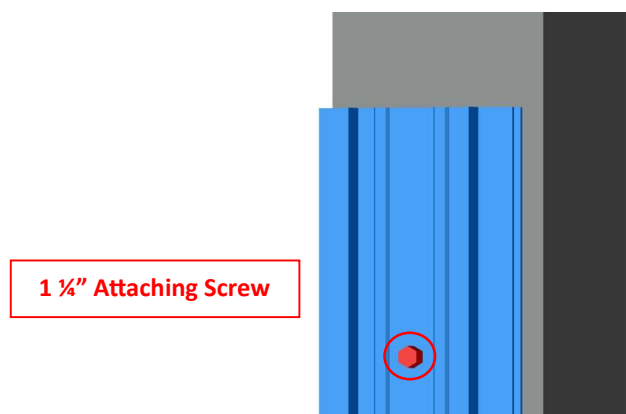


Fig. 14



Nxtwall Installation Instruction

5. Attach the Genesis Stud to the Flex Post.

Fig. 15.

- b. Slide Flex L-Bracket into the center of the Flex Stud.
- c. Attach L-Bracket to the Stud using 2 – 3/4" Framing Screws

6. Create a tight fit between the Genesis Stud and the Flex Post. Once tight, tighten the set screw. Fig. 16.

- d. To ensure the connection stays tight, run a framing screw through an open hole in the L-Bracket and into the Flex Track.

7. Make sure the Flex Post is plumb prior to connecting to other Partitions.

Fig. 15

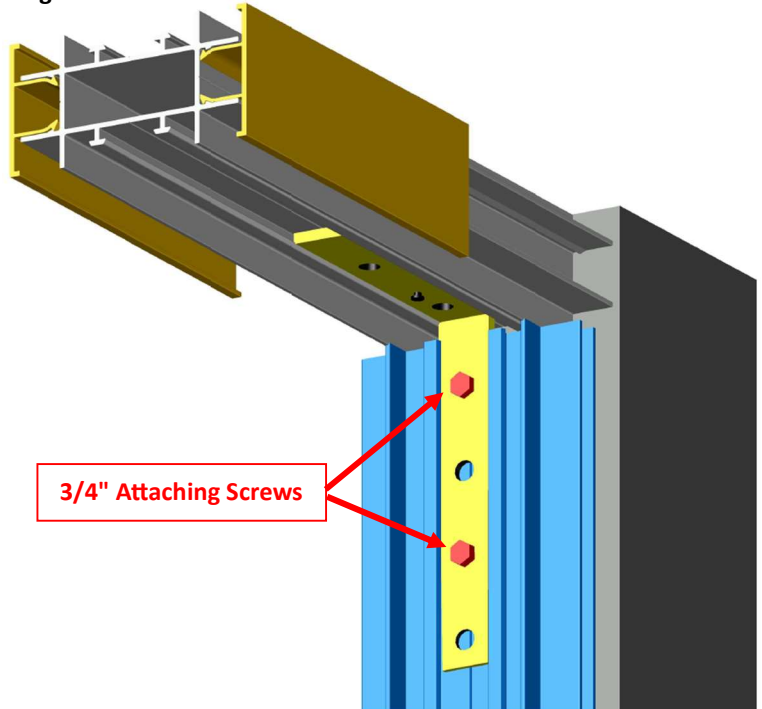
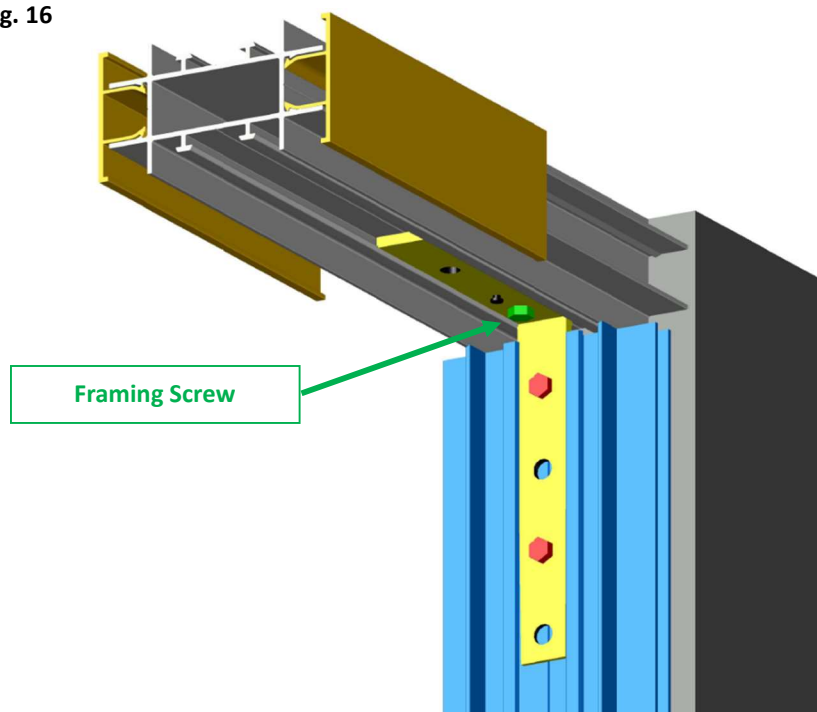


Fig. 16



Nxtwall Installation Instruction

Flex Post Installation: Non-Door Opening Locations

1. Cut Flex Post to length.
 - a. Note: The length will be the Floor to Ceiling measurement.
2. Determine the configuration of the Flex Post and which side of the Flex Post will be the non-door opening side(s).
3. Measure and cut the Flex Stud attaching to the Flex Post. Fig. 17.
 - a. For Non-Door Openings the Flex Stud length will be:
 - i. **(Length of Post) – 2 3/8"**
 - b. For non-door openings the bottom of the Flex Stud will be 3/4" up from the bottom of the Post and 1 5/8" down from the top of the Post.
4. Center the Flex Stud on the Post and attach using 4 – 1 1/4" Framing Screws.
 - a. Note: At the top and bottom of the Post keep the attaching screw at least 6" down from the top of the Stud and 6" up from the bottom of the stud. This will ensure the attaching screw does not interfere with the L-Bracket. Fig. 18.
 - b. Use small pieces of Flex Trim when positioning the stud on the post. The edges of the trim will be flush with the edges of the post.

Fig. 17

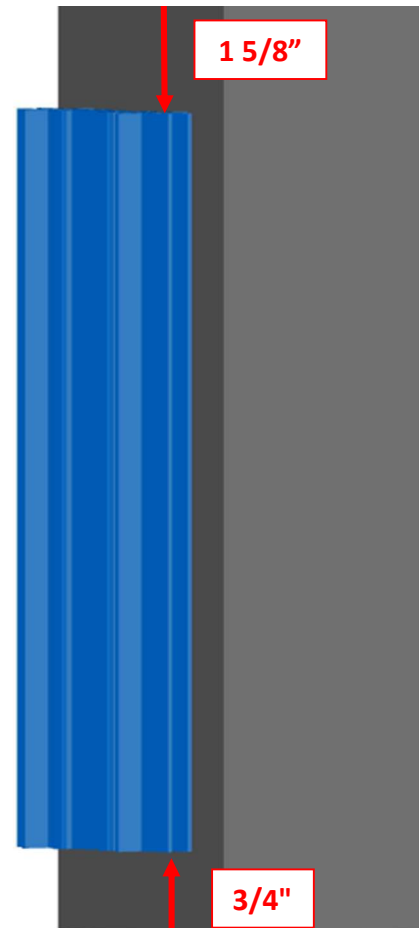
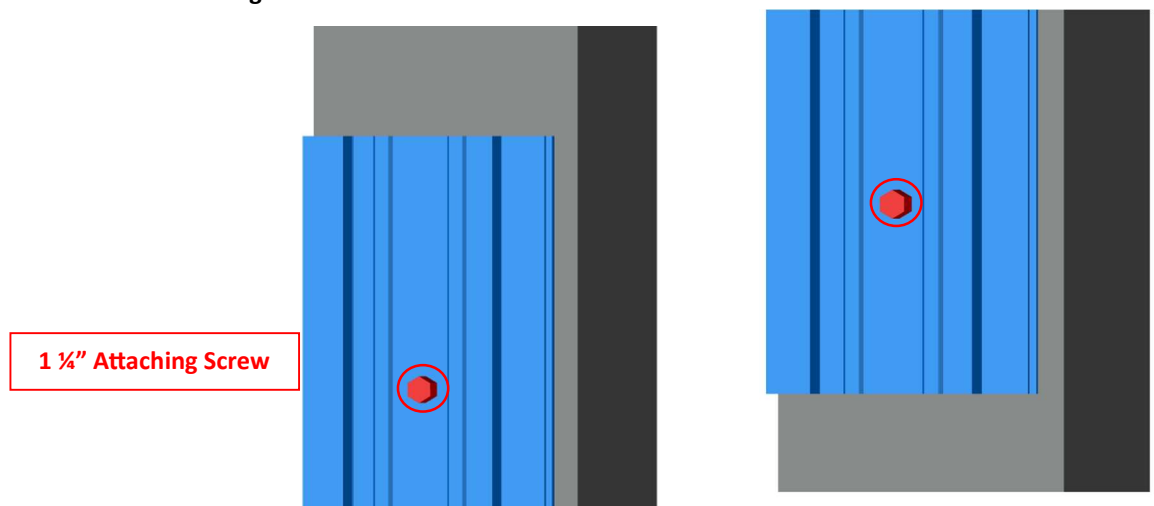


Fig. 18



Nxtwall Installation Instruction

5. Repeat steps 5-7 on Page 8 for connecting the Genesis Stud to the top of the Flex Post.

6. Plumb the Flex Post.

7. At the floor slide the Flex Track under the Flex Stud and tight to the Post.

Fig. 19.

8. Attach the L-Bracket to the Post using 3/4" Framing Screws. Fig. 20.

9. Run an anchoring screw through one of the open holes in the L-Bracket and into the floor. This will help secure the Flex Post in place. Fig. 21.

Fig. 19

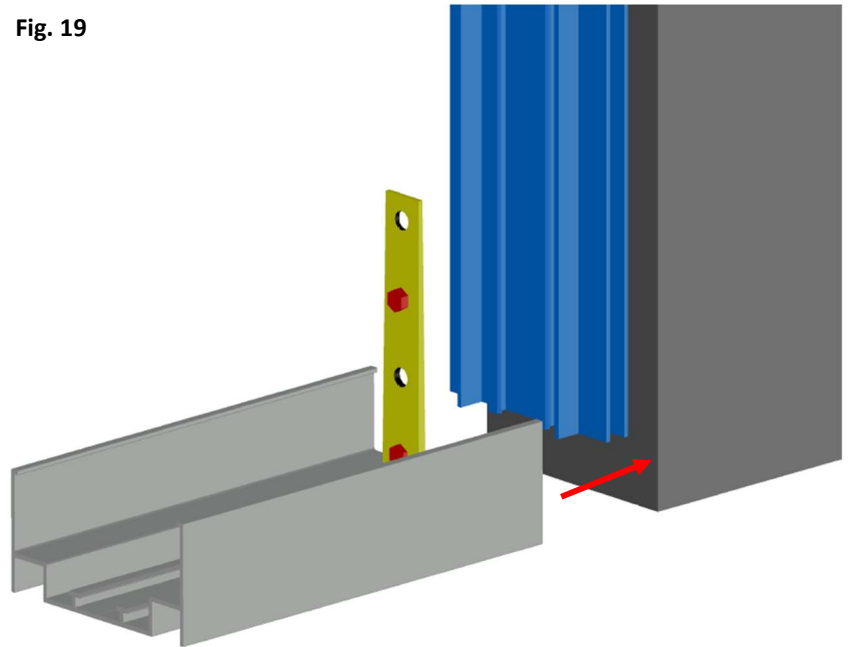


Fig. 21

Fig. 20

