

Nxtwall Installation Instruction

Installation Scenario:

Flex Series Freestanding Post Stanchion and Flex Post Installation.

- This guide covers how to install a Post Stanchion and Flex Post for Flex Series Freestanding applications.

Nxtwall Components Covered by this Instruction:

- Freestanding Post Stanchion with Plate
- Flex Post
- Flex Track
- Flex Stud
- Genesis Stud
- Flex L-Brackets

Freestanding Post Stanchion

- The function of the Post Stanchion is to provide stability at the floor to freestanding applications.
- The Post Stanchions are mounted and anchored directly to the floor.
- The Flex Post will slide over the Post Stanchion once the Post location(s) have been determined.

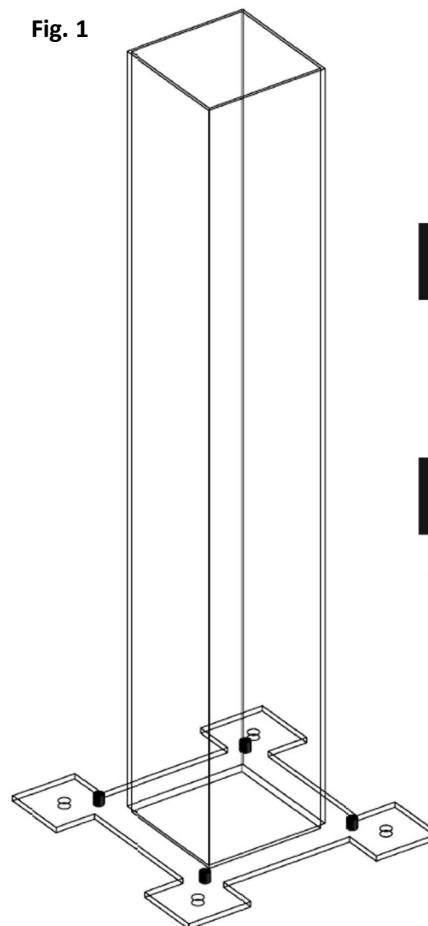
Freestanding Post Stanchion Kit

- Freestanding Post Stanchion (A)
- Freestanding Post Stanchion Plate (B)
- 1/4" x 1 3/4" Tapcon Screws
- 2 1/2" Self Tapping Screws

Recommended Installation Tools:

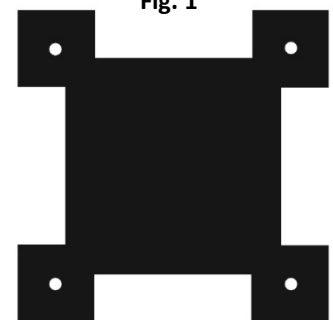
- Miter Saw
- Laser Level (or Level)
- Tape Measure
- Impact Driver and/or Drill
- Nylon Mallet/Rubber Mallet
- Phillips Screwdriver
- Utility Knife
- Hammer Drill
- External Attaching Hardware
 - Note: Nxtwall does not include external attaching hardware.
- Cabling/Bracing (If Needed)
 - Note: Nxtwall does not include cabling/bracing.

Fig. 1



Freestanding Post Stanchion "A"

Fig. 1

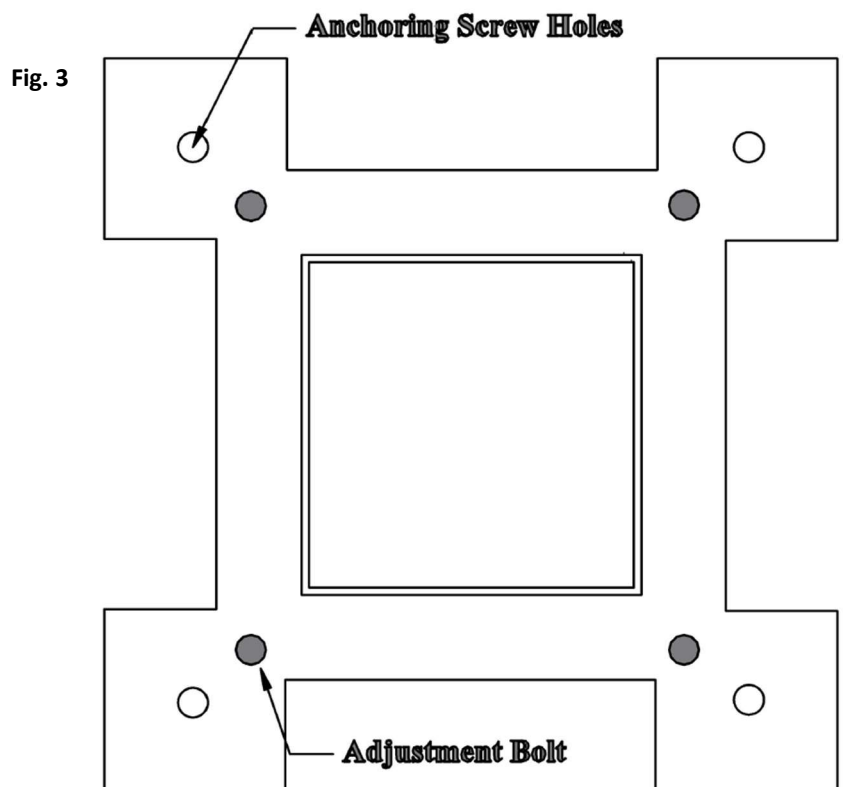
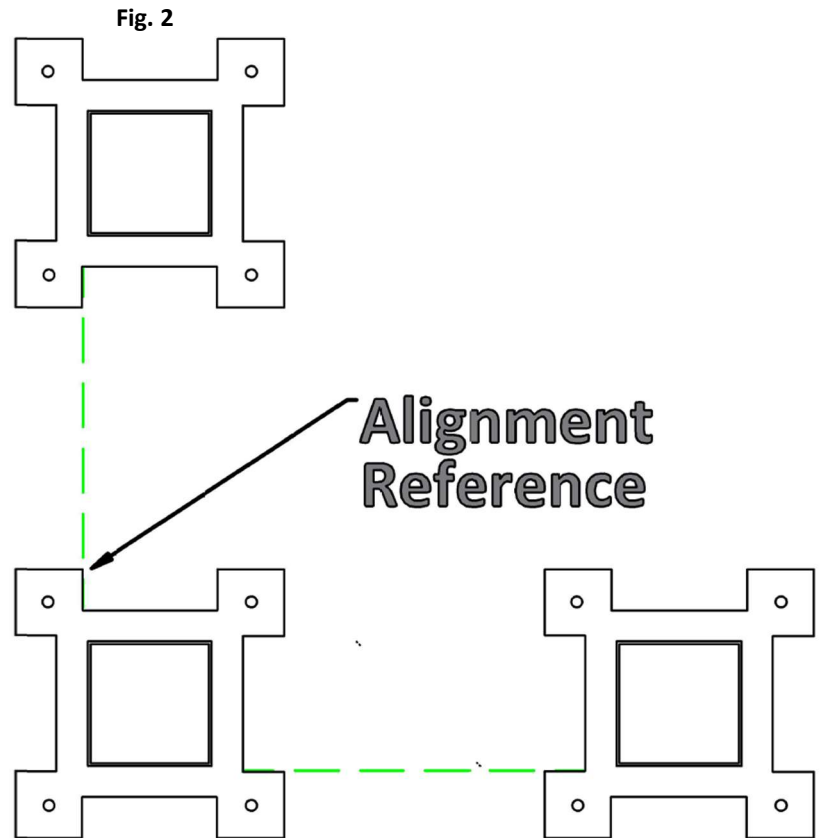


Freestanding Post Stanchion Plate "B"

Nxtwall Installation Instruction

Freestanding Post Stanchion Installation

- The Post Stanchion kit will be installed at all Flex Post locations. Reference the drawing for these locations.
- When laying out the project use the Post Stanchions as a guide for the layout. The cut-out section of the Post Stanchion matches the width of the Flex Track at the floor, the Flex Track will slide into the cut-out. Use the cut-out as a reference when laying out the partitions. Fig. 2.
- Once the Post location(s) have been determined the Post Stanchion can be attached to the floor.
- Place the Post Stanchion Plate on the floor. Place the Post Stanchion onto the plate. Use the holes in the plate as guide when drilling the holes for the anchoring screws.
- Use a level to plumb both sides of the Post Stanchion. Use the adjustment bolts on the Stanchion to plumb the Stanchion. Fig. 3.
 - It is important to plumb the Post Stanchion to ensure the Flex Post is plumb when installed onto the Stanchion. Once Post is installed onto the Stanchion final plumb adjustments can be made.
- Once plumb, attach the Post Stanchion to the floor using the provided anchoring screws.
- With the Post Stanchions in place the Flex Posts will need to be constructed prior to installing the Flex Post onto the Post Stanchion(s).

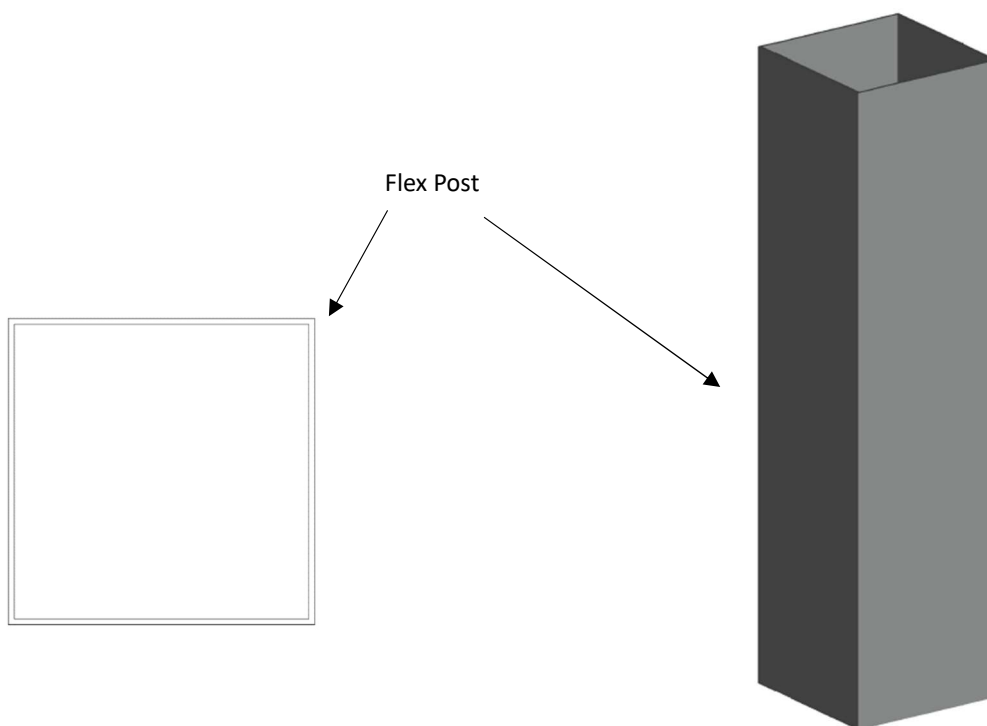


Nxtwall Installation Instruction

Flex Post Function

- The function of the Flex Post is to create 90° turns within the layout of the wall system. Fig. 4.

Fig. 4

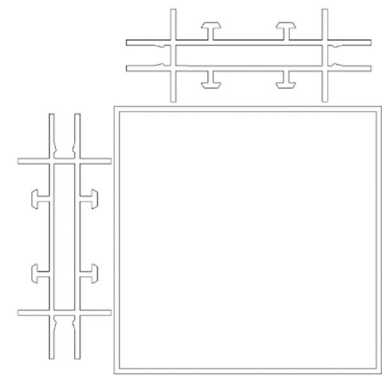


Nxtwall Installation Instruction

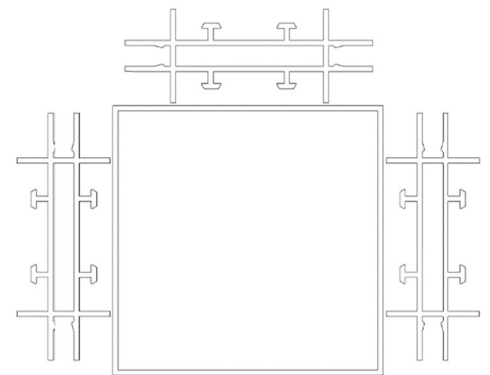
Flex Post Configurations:

- Anytime there is a Partition coming off a Flex Post there will be a Flex Stud attached to the Post. Fig. 5.
 - The length of the Flex Stud is dependent on the situation. These situations will be covered later in this guide.
- Once the solid and/or glass panels have been installed, Flex Trim will be installed onto the Flex Studs. The Flex Trim will be flush with the edge of the Flex Post. Fig. 6.

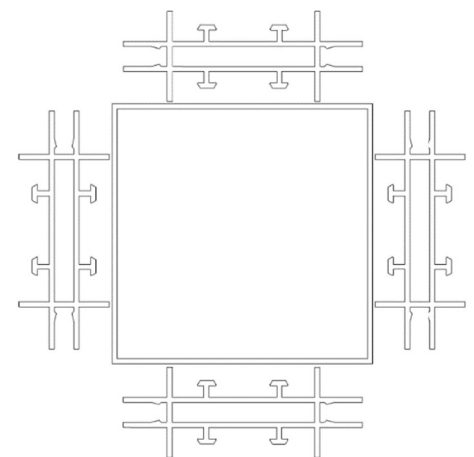
Fig. 5



2 Way



3 Way



4 Way

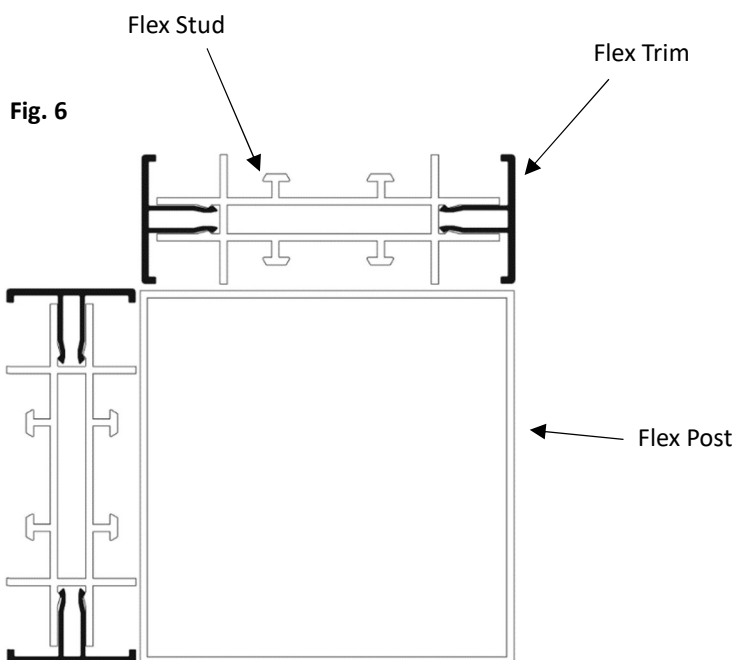


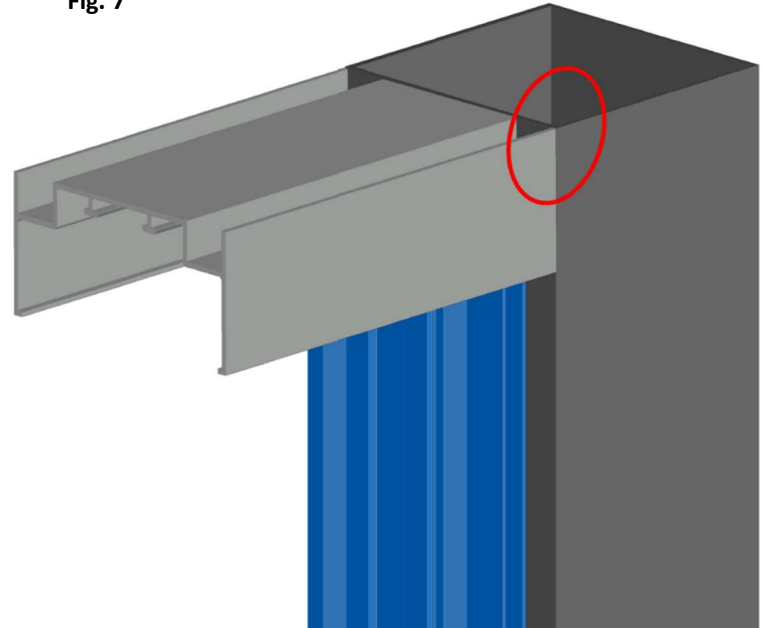
Fig. 6

Nxtwall Installation Instruction

Flex Posts for Freestanding Applications

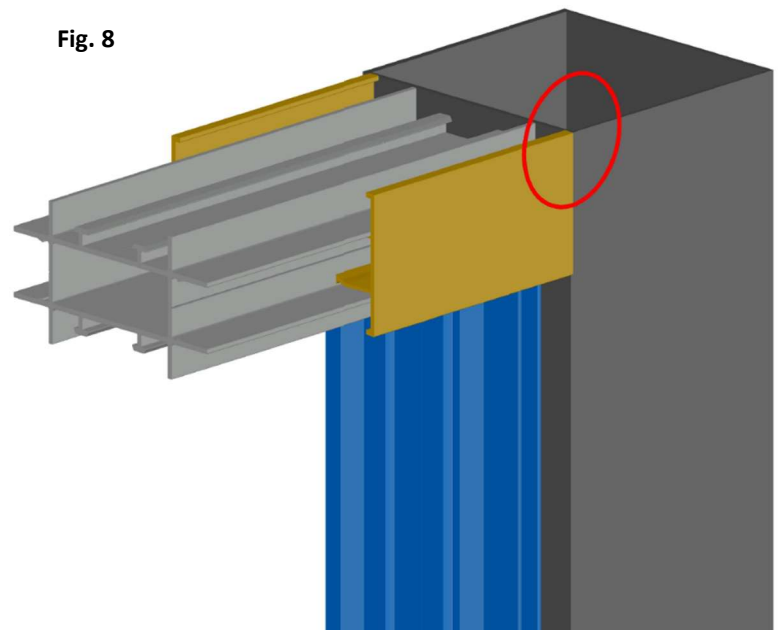
- For Freestanding applications the height of the Flex Post will match the overall height of the partitions.
 - Example: If the overall height of the wall is 8', the height of the Flex Post will be 8'.
- The Flex Track/Genesis Stud at the top of the partition will butt directly into the Flex Post. The top edge of the Flex Track will be flush with the top edge of the Post. Fig. 7/8.
- The Flex Post will need to be built prior to installing the Flex Track and/or Genesis Stud. The Flex Track/Genesis Stud will rest on the Flex Stud attached to the post.
- For Flex Series Freestanding applications the installation procedure is the same as a ceiling attached application. Reference those installation guides for the situation being installed.

Fig. 7



Scenario: Flex Series F.S. Full Height Swing Door, Non-Full Height Swing Door, Non-Full Height Sliding Door, Non-Door Opening Partitions

Fig. 8



Scenario: Flex Series F.S. Full Height Sliding Door

Nxtwall Installation Instruction

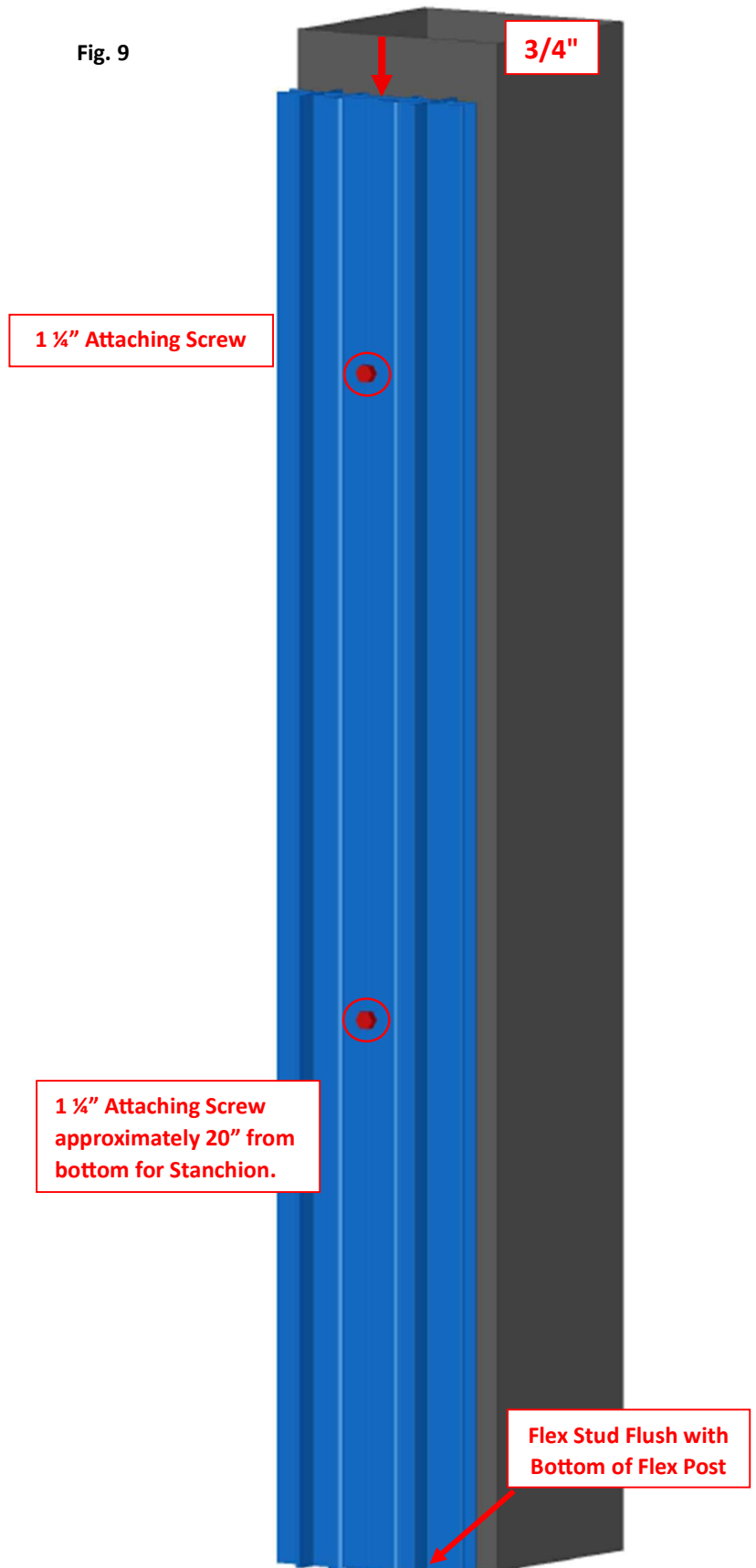
Flex Post Construction/Installation

- This section will cover Freestanding applications for:
 - Full Height Swing Doors
 - Non-Full Height Swing Doors
 - Non-Full Height Sliding Doors
 - Non-Door Opening Partitions

Flex Post Installation: Door and Non-Door Opening Locations

1. Cut Flex Post to length.
 - a. Note: The length will match the overall height of the wall.
2. Determine the configuration of the Flex Post.
3. Measure and cut the Flex Stud attaching to the Flex Post.
 - a. The Flex Stud length will be:
 - i. **(Length of Post) – 3/4"**
 - b. For all openings the bottom of the Flex Stud will be flush with the bottom of the Post and 3/4" down from the top of the Post. Fig 9.
4. Center the Flex Stud on the Post and attach using 1 1/4" Framing Screws.
 - a. **Note:** At the top of the Post keep the attaching screw at least 6" down from the top of the Stud. This will ensure the attaching screw does not interfere with the L-Bracket. Fig. 9.
 - b. **Note:** At the bottom of the Post keep the attaching screw 20" from the bottom of the Post. The Post will need to slide over the Post Stanchion, this will keep the screw from interfering with the Stanchion. Once the Flex Post is installed onto the Stanchion the attaching screw can be installed.

Fig. 9

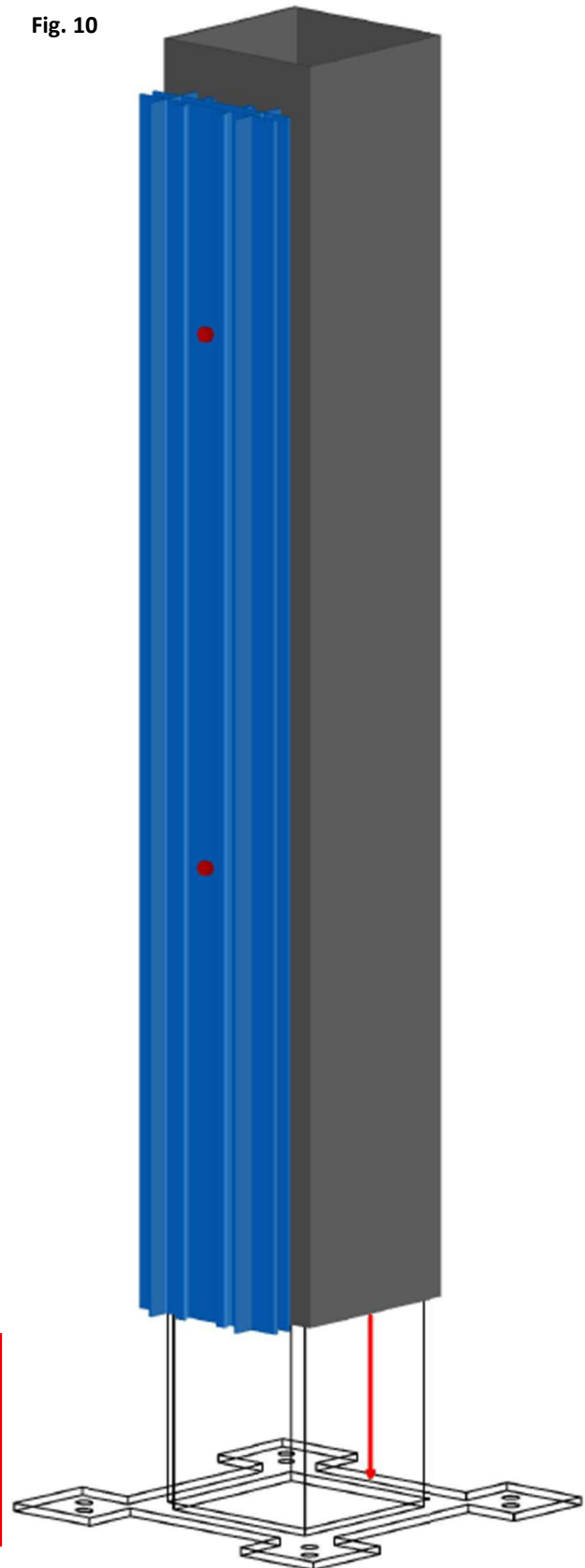


Nxtwall Installation Instruction

Flex Post Installation onto Freestanding Post Stanchion

1. With the Flex Post built it can be installed onto the Post Stanchion. Fig. 10.
2. Slide the Flex Post over the Post Stanchion.
3. Make sure the Flex Post is plumb. If needed loosen the anchoring screws, use the adjustment bolts to plumb the post, then retighten the anchoring bolts.
4. Attach the Flex Post to the Post Stanchion using a 2 1/2" Framing Screw. The screw will go through the Flex Stud/Flex Post and into the Post Stanchion. Note: Pre-drill Post/Stanchion using a 5/32" drill bit to assist with the attaching screw.
5. With the Flex Posts installed onto the Post Stanchions the remainder of the framing can be installed.

Fig. 10



Note: If the ceiling height is too short to slide the Flex Post over the Post Stanchion the Post Stanchion can be slid into the Flex Post then placed in the correct location. Once in the correct location the Post Stanchion can be anchored to the floor.

Nxtwall Installation Instruction

Installing Flex Track to Flex Post at the Top of the Partition

****Applies to Door and Non-Door Opening Locations****

1. Place the Flex Track onto the Flex Stud attached to Flex Post.
2. Slide the Flex L-Bracket into the Flex Stud.
3. Adjust the Flex Track so it is flush with the top of the Flex Post.
4. Attach the Flex L-Bracket to the Flex Stud using 2 - 3/4" Framing Screws. Fig. 11.
5. Create a tight fit between the Flex Track and Flex Post, tighten the set screw.
 - a. To ensure the connection stays tight, run a framing screw through an open hole in the L-Bracket and into the Flex Track. Fig. 12.

Fig. 11

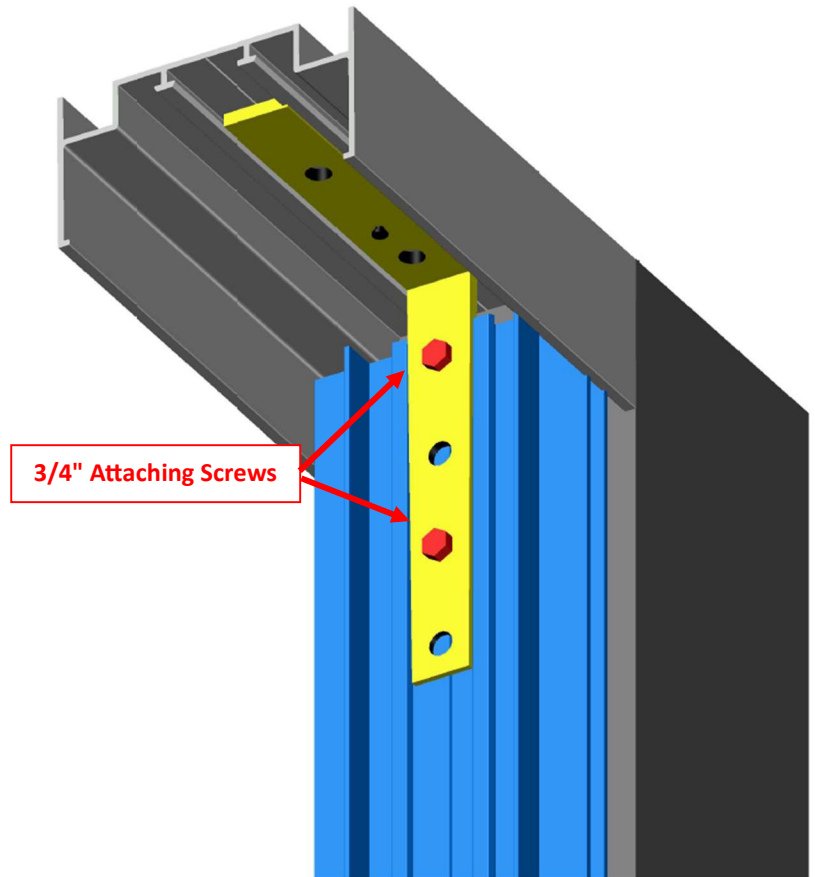
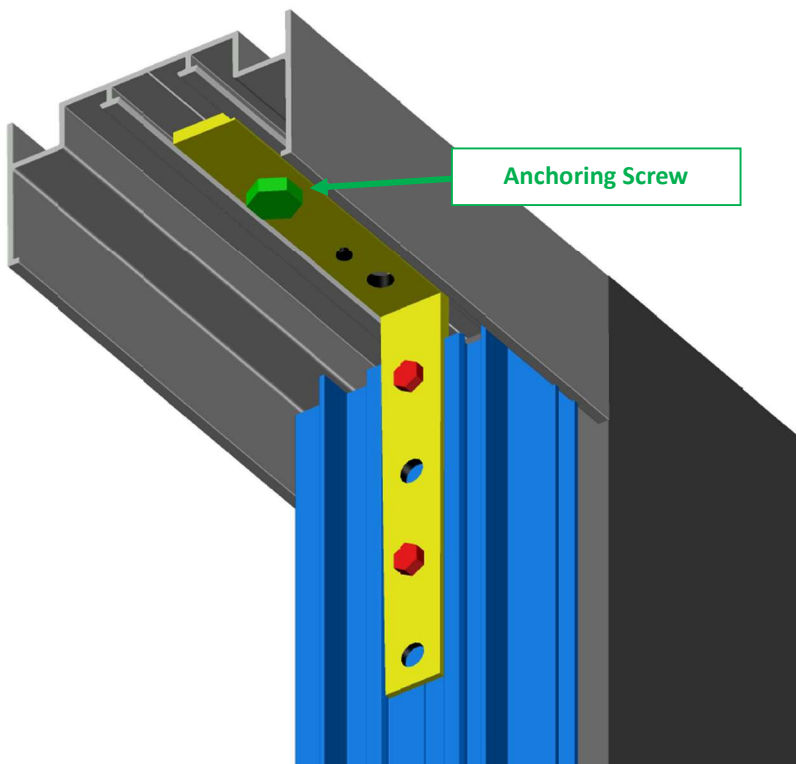


Fig. 12



Nxtwall Installation Instruction

Installing Flex Track to Flex Post at the Floor for Non-Door Opening Partitions

1. Place Flex Track against the Flex Stud attached to the Flex Post.
2. **Important:** Make sure the Flex Track is **NOT** slid under the Flex Stud. This will prevent the Flex Trim from being installed to the floor/stanchion plate.
 - a. To assist with the correct placement of the Flex Track cut a small piece of Trim, install it onto the stud, and butt the Track into the trim. Fig. 13.
3. Once the Flex Track is in the correct location slide the Flex L-Bracket into the Flex Stud and attach using 2 – 3/4" Framing Screws. Fig. 14.
4. Tighten the set screw on the L-Bracket.
5. Run an anchoring screw through an open hole in the L-Bracket to anchor the Flex Track to the floor. Fig. 14.

Fig. 14

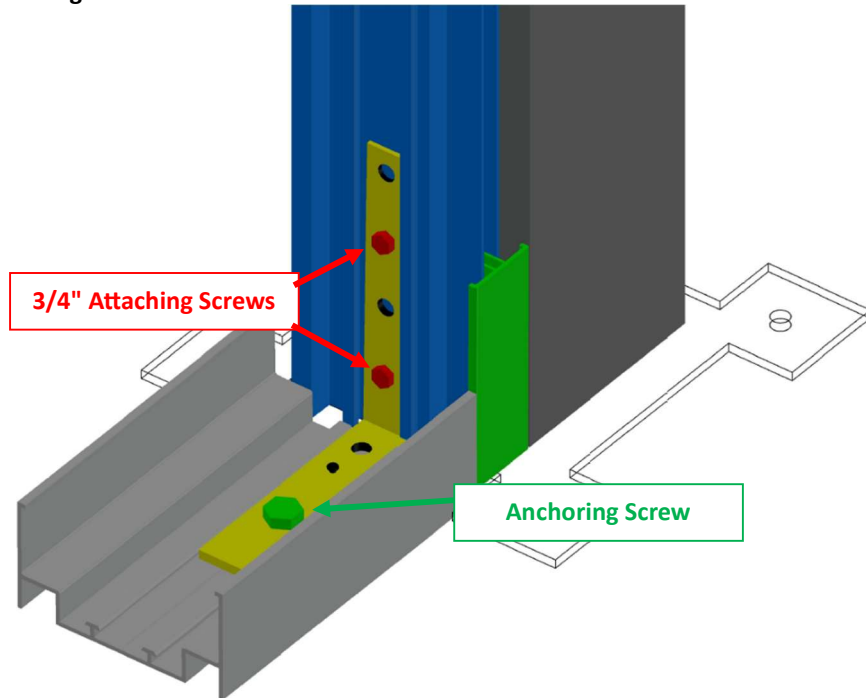
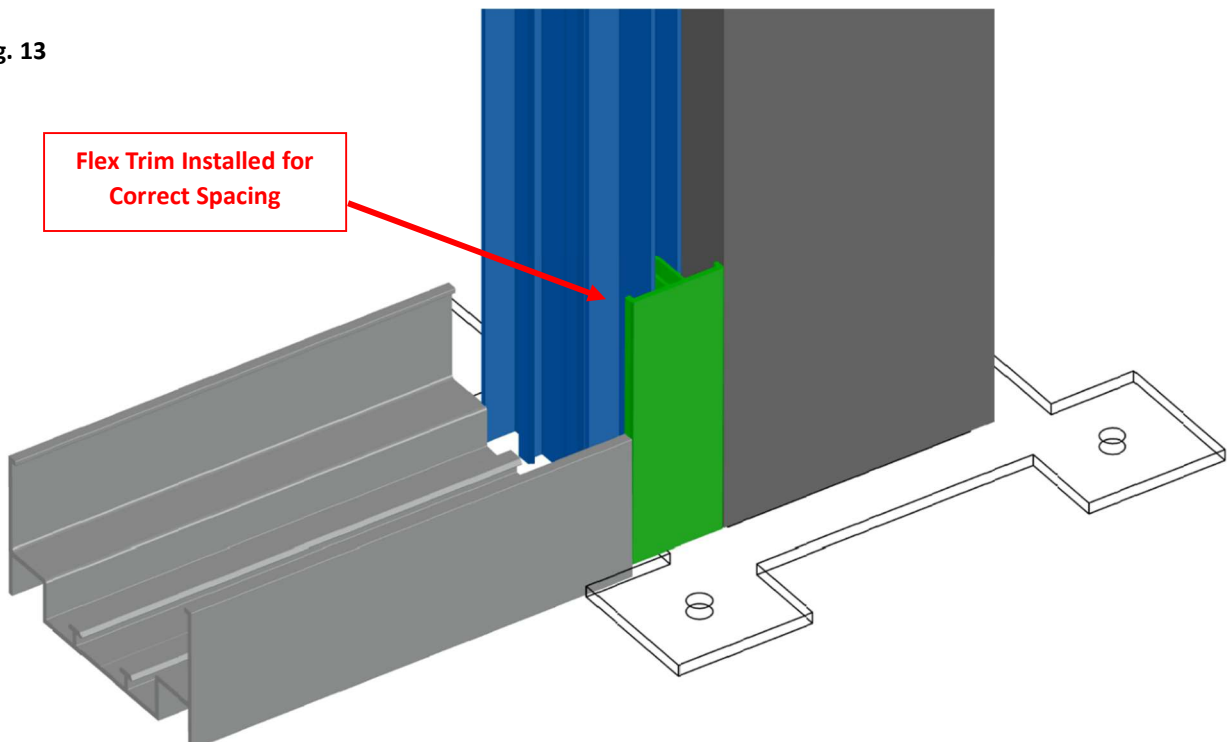


Fig. 13

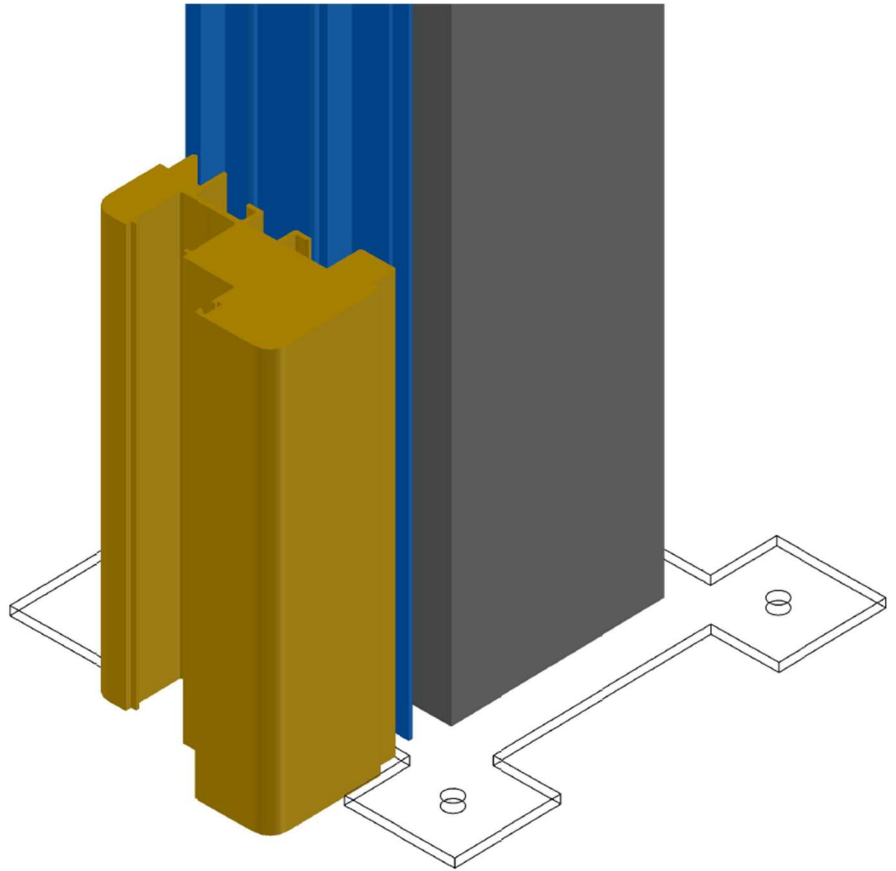


Nxtwall Installation Instruction

Installing Door Jamb to Flex Post at Door Opening Locations

1. The Door Jamb will set on the floor and attach to the Flex Stud with 1 1/4" Framing Screws.
2. The Stanchion will not interfere with the Door Jamb which allows the Door Jamb to go to the floor.

Fig. 15



Nxtwall Installation Instruction

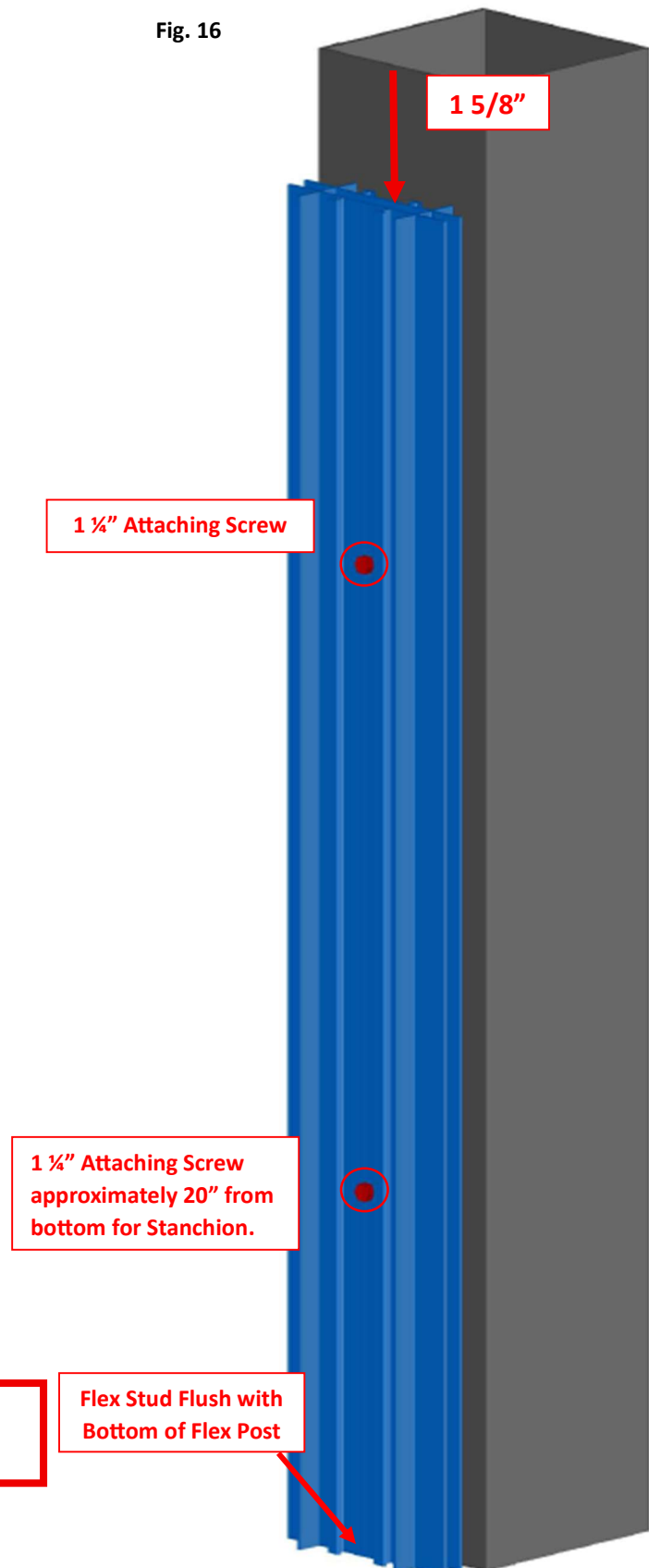
Flex Post Construction/Installation

- This section will cover Freestanding applications for:
 - Full Height Sliding Doors

Flex Post Installation: Door and Non-Door Opening Locations

1. Cut Flex Post to length.
 - a. Note: The length will match the overall height of the wall.
2. Determine the configuration of the Flex Post and which side of the Flex Post will be the door opening.
3. Measure and cut the Flex Stud attaching to the Flex Post.
 - a. The Flex Stud length will be:
 - i. **(Length of Post) – 1 5/8"**
 - b. For all openings the bottom of the Flex Stud will be flush with the bottom of the Post and 1 5/8" down from the top of the Post. Fig 16.
4. Center the Flex Stud on the Post and attach using 1 1/4" Framing Screws.
 - a. **Note:** At the top of the Post keep the attaching screw at least 6" down from the top of the Stud. This will ensure the attaching screw does not interfere with the L-Bracket. Fig. 16.
 - b. **Note:** At the bottom of the Post keep the attaching screw 20" from the bottom of the Post. The Post will need to slide over the Post Stanchion, this will keep the screw from interfering with the Stanchion. Once the Flex Post is installed onto the Stanchion the attaching screw can be installed.

Fig. 16



Note: Reference Page 7 for installing Flex Post onto Post Stanchion.

Nxtwall Installation Instruction

Installing Genesis Stud to Flex Post at the Top of the Partition

****Applies to Door and Non-Door Openings****

1. Place the Genesis Stud onto the Flex Stud attached to Flex Post.
2. Slide the Flex L-Bracket into the Flex Stud.
3. Adjust the Genesis Stud so it is flush with the top of the Flex Post.
4. Attach the Flex L-Bracket to the Flex Stud using 2 - 3/4" Framing Screws. Fig. 17.
5. Create a tight fit between the Genesis Stud and Flex Post, tighten the set screw.
 - b. To ensure the connection stays tight, run a framing screw through an open hole in the L-Bracket and into the Flex Track. Fig. 18.

Fig. 17

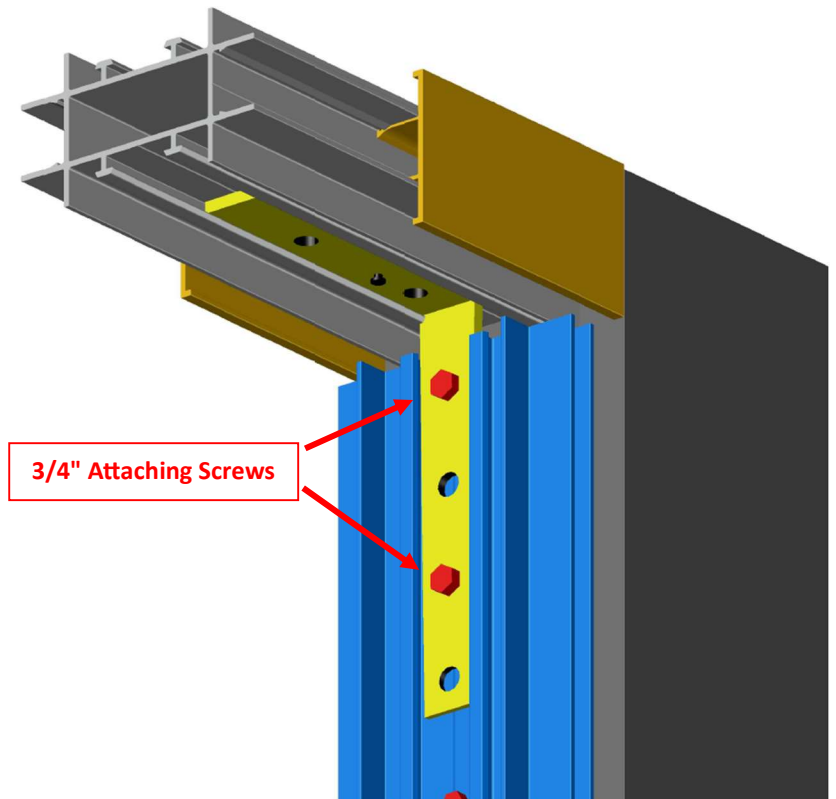
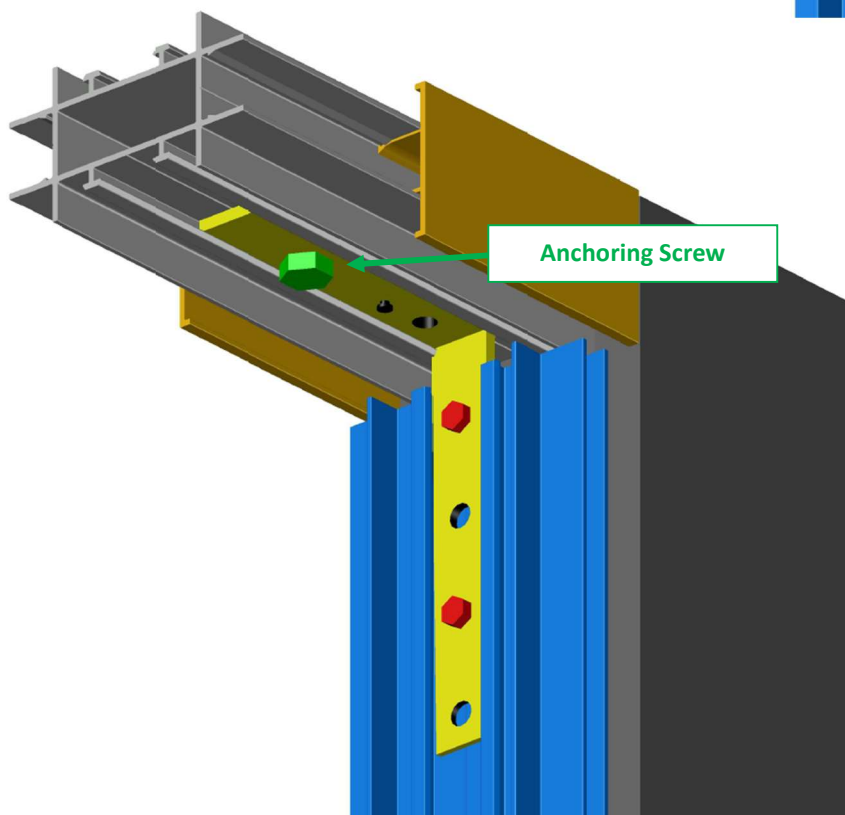


Fig. 18



Nxtwall Installation Instruction

Installing Flex Track to Flex Post at the Floor for Non-Door Opening Partitions

6. Place Flex Track against the Flex Stud attached to the Flex Post.
7. **Important:** Make sure the Flex Track is **NOT** slid under the Flex Stud. This will prevent the Flex Trim from being installed to the floor/stanchion plate.
 - a. To assist with the correct placement of the Flex Track cut a small piece of Trim, install it onto the stud, and butt the Track into the trim. Fig.19.
8. Once the Flex Track is in the correct location slide the Flex L-Bracket into the Flex Stud and attach using 2 – 3/4" Framing Screws. Fig. 20.
9. Tighten the set screw on the L-Bracket.
10. Run an anchoring screw through an open hole in the L-Bracket to anchor the Flex Track to the floor. Fig. 20.

Fig. 20

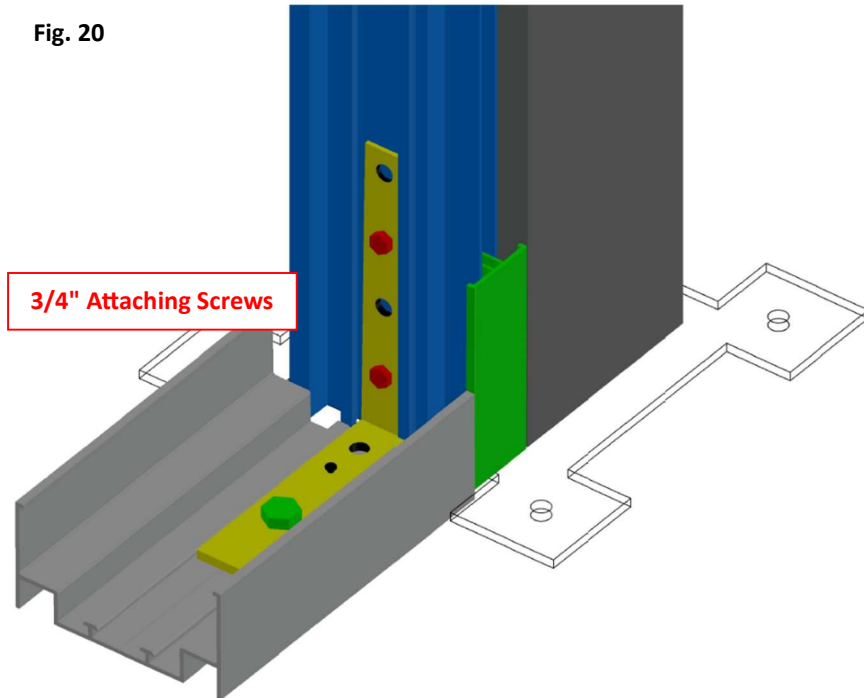
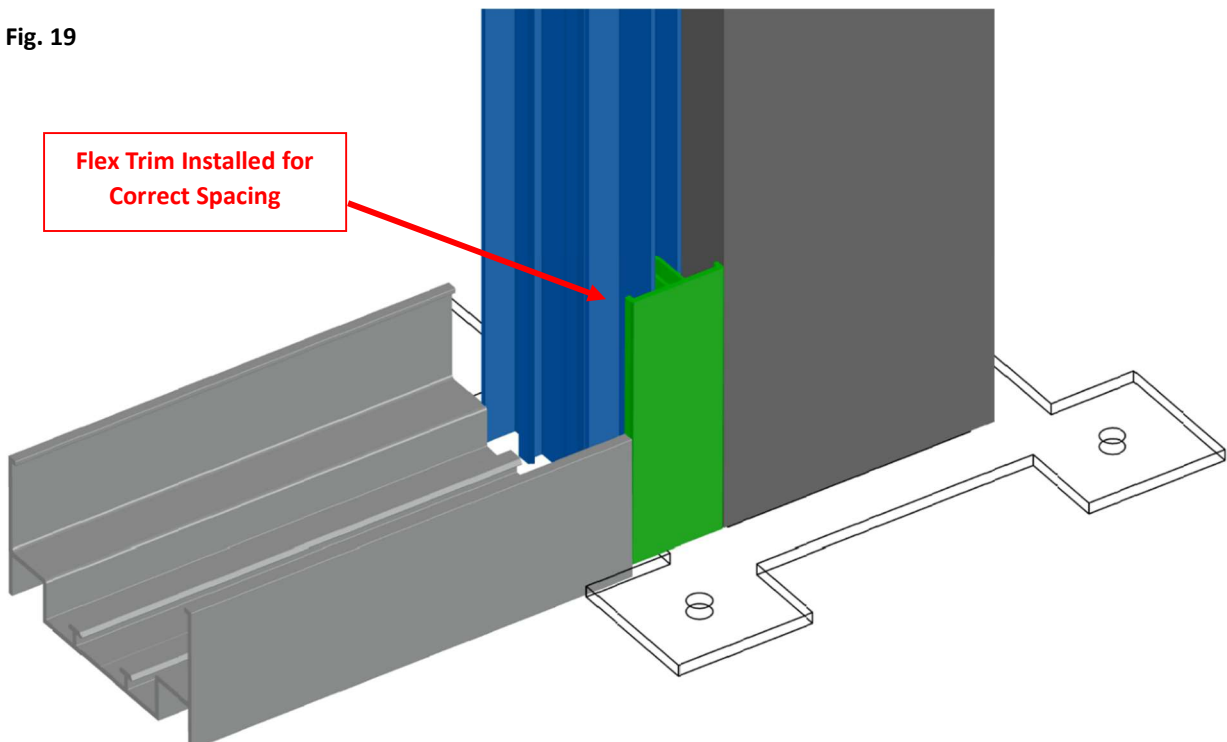


Fig. 19



Nxtwall Installation Instruction



Phone: (269) 488-2752

01/2024
