

# Nxtwall Installation Instruction

## Installation Scenario:

### View Series Freestanding Installation Introduction

- This guide covers guidelines for installing View Series Freestanding applications.
- This guide covers freestanding installation procedure and suggestions for installation. For detailed instruction for Swing and/or Sliding Door applications reference those installation guides.

## Recommended Installation Tools:

- Miter Saw
- Laser Level (or Level)
- Tape Measure
- Impact Driver and/or Drill
- Nylon Mallet/Rubber Mallet
- Phillips Screwdriver
- Utility Knife
- Hammer Drill
- External Attaching Hardware
  - Note: Nxtwall does not include external attaching hardware.

Fig. 1



Examples of View Series Freestanding Application

# Nxtwall Installation Instruction

## General Notes for Freestanding Applications:

For View Series Freestanding applications the installation process is specific to the door type. For installation instructions reference the installation instructions for the scenario being installed.

After the framing portion is completed there will be some instability in the partition(s). Once all glass panels have been installed the partition(s) will be stable.

Depending on onsite conditions the overall height of the partition(s) must match the overall height shown on the drawing. The max freestanding height is 96". Fig. 2.

- The overall height measurement is to the top edge of the horizontal Wall-Start at the top of the partition(s). Fig. 3.
  - o If there are Flex Posts the overall height is to the top of the Flex Post.
- It is especially important to match the overall height at door locations for projects with pre-ordered doors. The height of the pre-ordered doors is based off the overall height. This would apply to Aluminum Framed Doors, Wood Doors, or Pre-Ordered Glass Doors.

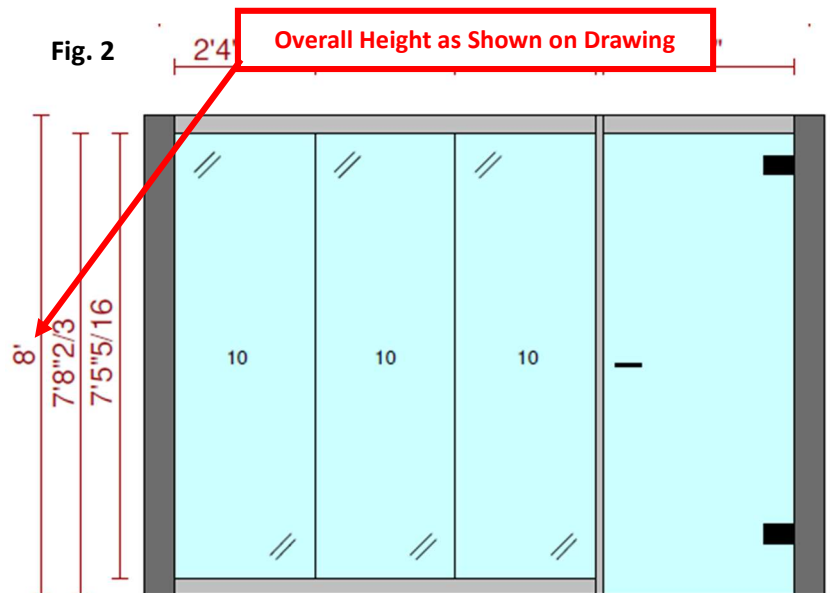
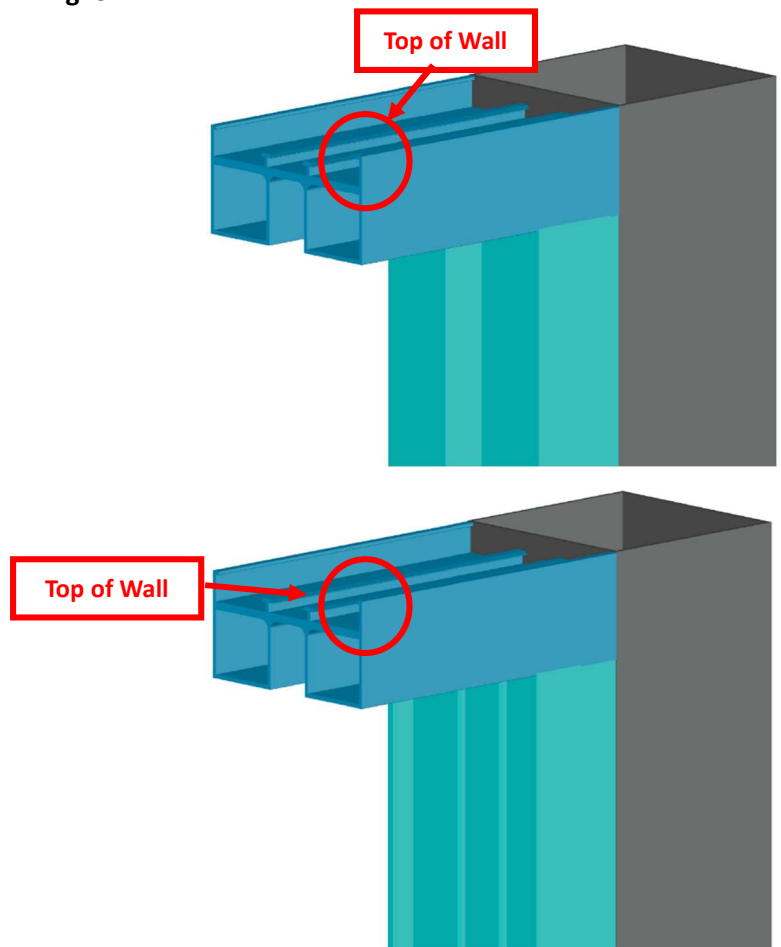


Fig. 3



# Nxtwall Installation Instruction

## Freestanding Post Stanchions

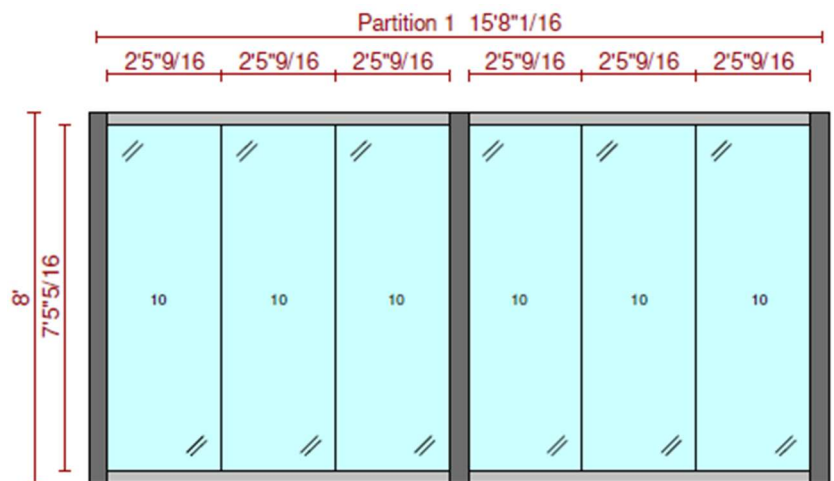
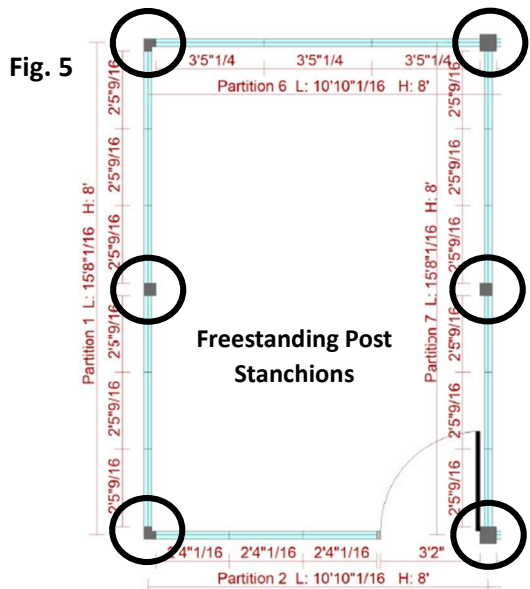
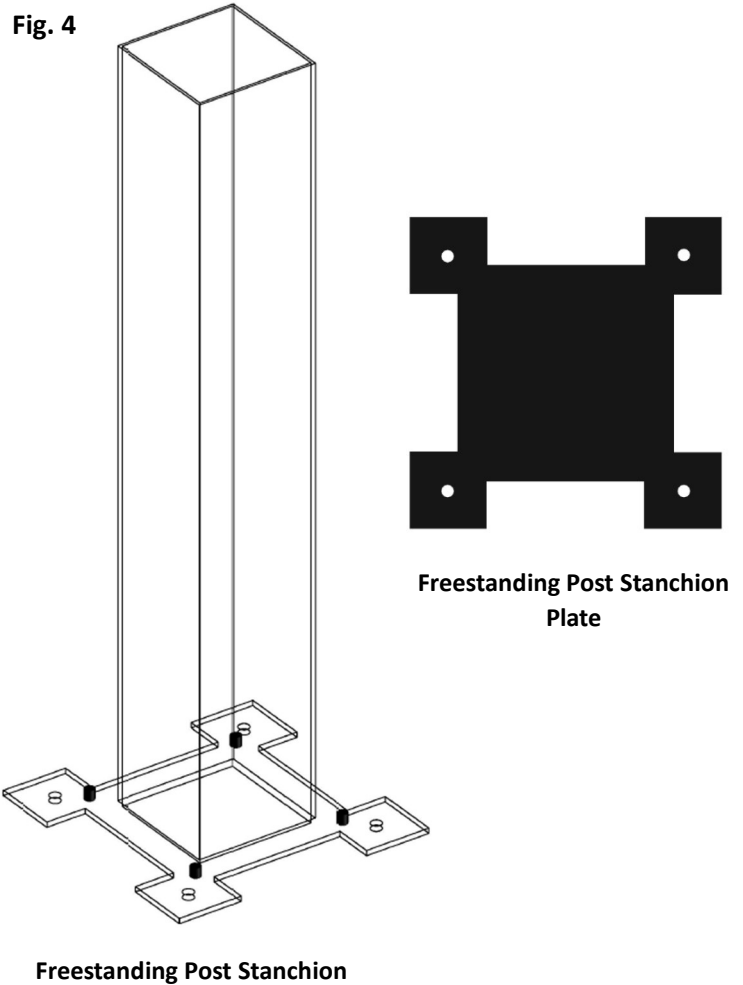
The purpose of the Post Stanchion, Fig. 4, is to provide additional strength and stability to Freestanding applications. The Post Stanchion also assists with the installation process.

On Freestanding projects wherever there is a Flex Post the Freestanding Post Stanchion will be used.

The Flex Post locations will be shown on the drawing, Fig. 5. The Flex Post will be used in locations where the partitions come together at 90° or they will be used to divide a longer run of a partition. The max length between two Flex Posts is 10’.

- Example: If a partition is 16’ in length a Flex Post/Post Stanchion would be used to divide the partition into two shorter lengths on each side of the Post.

For detailed installation instructions for the Freestanding Post Stanchion reference the “View Series Freestanding Post Stanchion” guide.



# Nxtwall Installation Instruction

## Freestanding Layout:

When determining the location of the partitions, reference the drawing. The overall length dimensions for each partition are close to but not exact. Use the drawing as a reference only, actual dimensions to be determined on site.

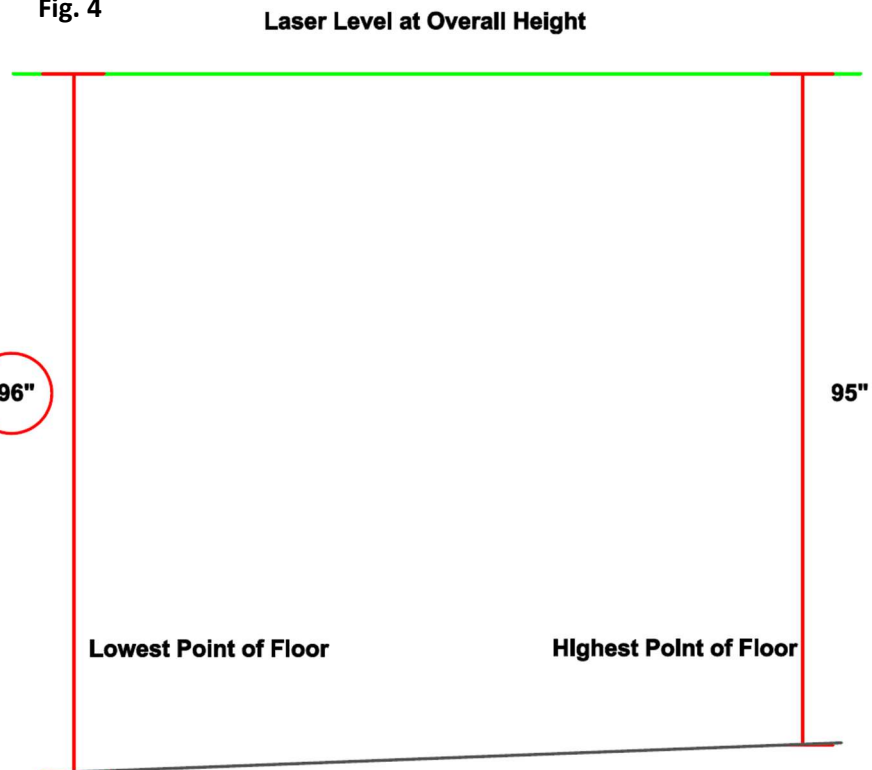
- Note: The materials are sent in lengths to be cut to size on site. If partitions need to be lengthen by 12" or more contact Nxtwall to confirm if there is enough material.

When setting the overall height it is recommended to set a laser level at the overall height listed on the drawing. Once the laser is set check multiple locations where the partitions will be located to check for levelness. The goal is to have the top of the partition(s) level.

- In the situation where the floor is unlevel find the lowest point of the floor and set it as the overall height of the partition(s). The materials will be cut to allow the top of the partition to be level. Fig. 4.
  - o Note: The vertical framing is sent in 8' lengths. If the overall height exceeds 8' the materials shipped may not be long enough to use.

**Important:** If there are any pre-ordered doors the overall height MUST match the overall height on the drawing at the door locations to ensure the doors fit properly.

Fig. 4



# Nxtwall

## Installation Instruction



Phone: (269) 488-2752

01/2024

### Anchoring to Existing Wall/Floor.

For Freestanding Applications it is important to have solid anchoring points for the framing attaching to the existing walls and floor. Since the partitions are not attaching to the ceiling they will rely on these two attaching points for support.

When attaching to an existing wall try to attach to solid blocking within the wall. If there is no blocking in the wall it is recommended to use strong toggles. The type of anchor/toggle used is dependent on the wall type.

- Note: If there is a door, swing and/or sliding, coming off the existing wall it is important the Flex Stud is plumb. If shims are needed to plumb the stud it is important to use a solid shim and then solidly attach the shim/stud to the wall.

When attaching to the floor it is recommended to attach to the floor every 3' – 4'. The type of anchor/toggle used is dependent on the floor type.

### Order of Installation

Below is a recommended order of installation process when installing View Series freestanding partitions.

1. Layout the project. Determine Flex Post/Post Stanchion location(s).
  - a. Note: If there are no Flex Posts within the Partition layout the Partition to run straight between the two attaching points.
2. Construct the Flex Post(s). Install the Post(s) onto the Post Stanchion(s).
3. Install vertical Wall-Starts if not installed onto the Flex Post(s).
4. Cut/Install the horizontal View Wall-Start onto the vertical Wall-Starts.
5. Set door the opening spacing at door locations.
6. Install framing for door opening.
  - a. For Swing Doors install the Flex Track within the door opening. Install header and door jambs.
  - b. For Sliding Doors, install vertical Freestanding Post and View Track/Guide within door opening.
7. Install View Track/Guide at the top of the partition for the fixed panes of glass.
8. Install View Track/Guide at the floor for fixed panes of glass.
9. Install Glass Channel into View Track and Wall-Starts.
10. Order and install glass once received.