

# Nxtwall Installation Instruction

## Installation Scenario:

View Series Freestanding Post Stanchion and Flex Post Installation.

- This guide covers how to install a Post Stanchion and Flex Post for View Series Freestanding applications.

## Nxtwall Components Covered by this Instruction:

- Freestanding Post Stanchion with Plate
- Flex Post
- View Guide
- View Track
- View Wall-Start
- Flex and View L-Brackets

## Freestanding Post Stanchion

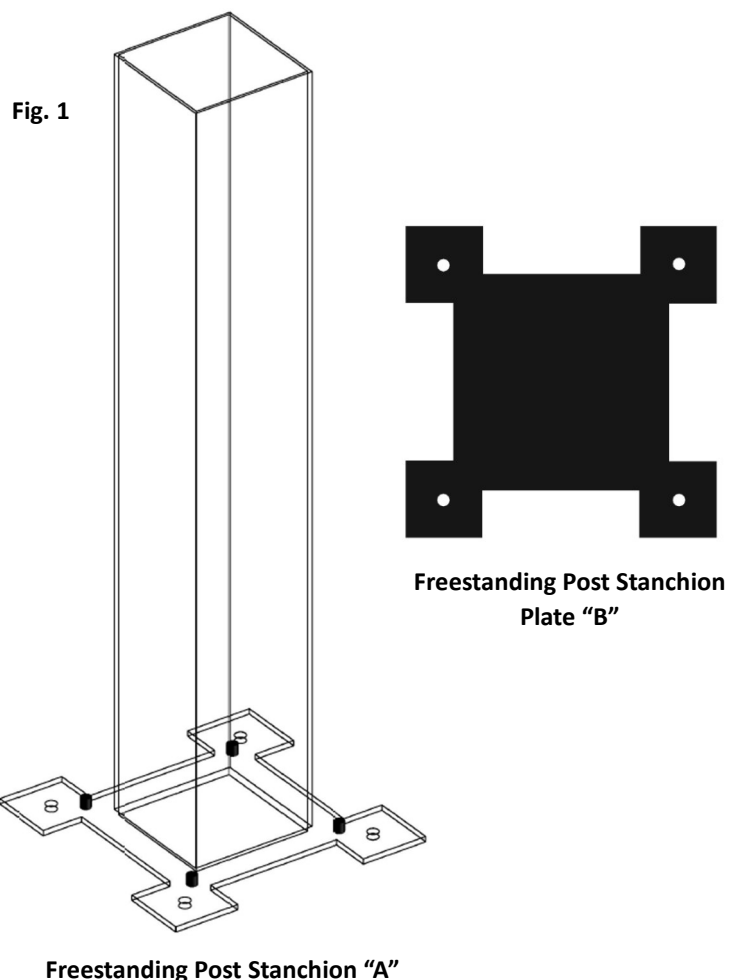
- The function of the Post Stanchion is to provide stability at the floor to freestanding applications.
- The Post Stanchions are mounted and anchored directly to the floor.
- The Flex Post will slide over the Post Stanchion once the Post location(s) have been determined.

## Freestanding Post Stanchion Kit

- Freestanding Post Stanchion "A"
- Freestanding Post Stanchion Plate "B"
- 1/4" x 1 3/4" Tapcon Screws
- 2 1/2" Self Tapping Screws

## Recommended Installation Tools:

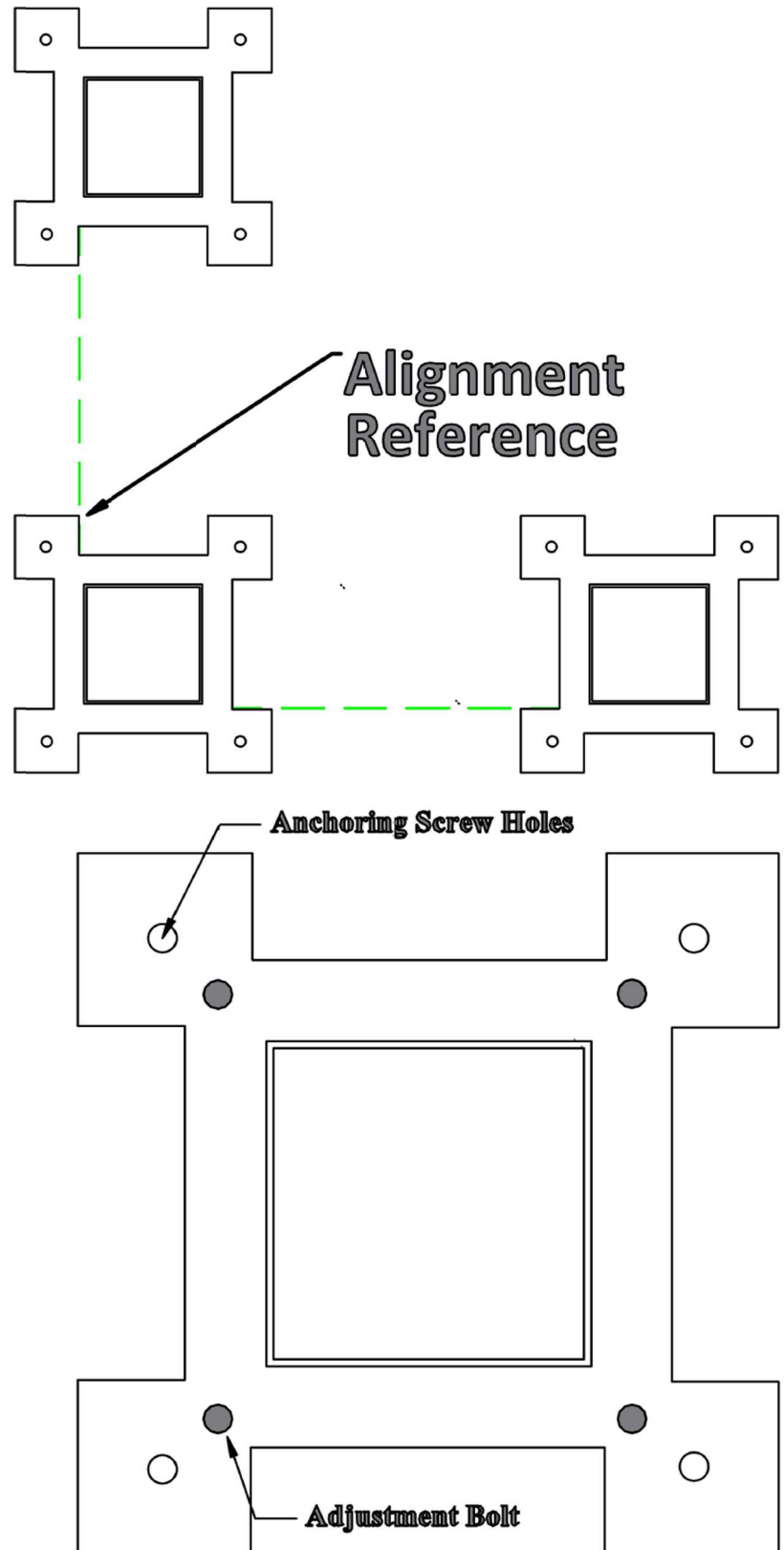
- Miter Saw
- Laser Level (or Level)
- Tape Measure
- Impact Driver and/or Drill
- Nylon Mallet/Rubber Mallet
- Phillips Screwdriver
- Utility Knife
- Hammer Drill
- External Attaching Hardware
  - Note: Nxtwall does not include external attaching hardware.
- Cabling/Bracing (If Needed)
  - Note: Nxtwall does not include cabling/bracing.



# Nxtwall Installation Instruction

## Freestanding Post Stanchion Installation

- The Post Stanchion will be installed at all Flex Post locations. Reference the drawing for these locations.
- When laying out the project use the Post Stanchions as a guide for the layout. The cut-out section of the Post Stanchion matches the width of the View Guide at the floor, the View Guide will slide into the cut-out. Use the cut-out as a reference when laying out the partitions.
- Once the Post location(s) have been determined the Post Stanchion can be attached to the floor.
- Place the Post Stanchion Plate on the floor. Place the Post Stanchion onto the plate. Use the holes in the plate as guide when drilling the holes for the anchoring screws.
- Use a level to plumb both sides of the Post Stanchion. Use the adjustment bolts on the Stanchion to plumb the Stanchion.
  - It is important to plumb the Post Stanchion to ensure the Flex Post is plumb when installed onto the Stanchion. Once Post is installed onto the Stanchion final plumb adjustments can be made.
- Once plumb, attach the Post Stanchion to the floor using the provided anchoring screws.
- With the Post Stanchions in place the Flex Posts will need to be constructed prior to installing the Flex Post onto the Post Stanchion(s).

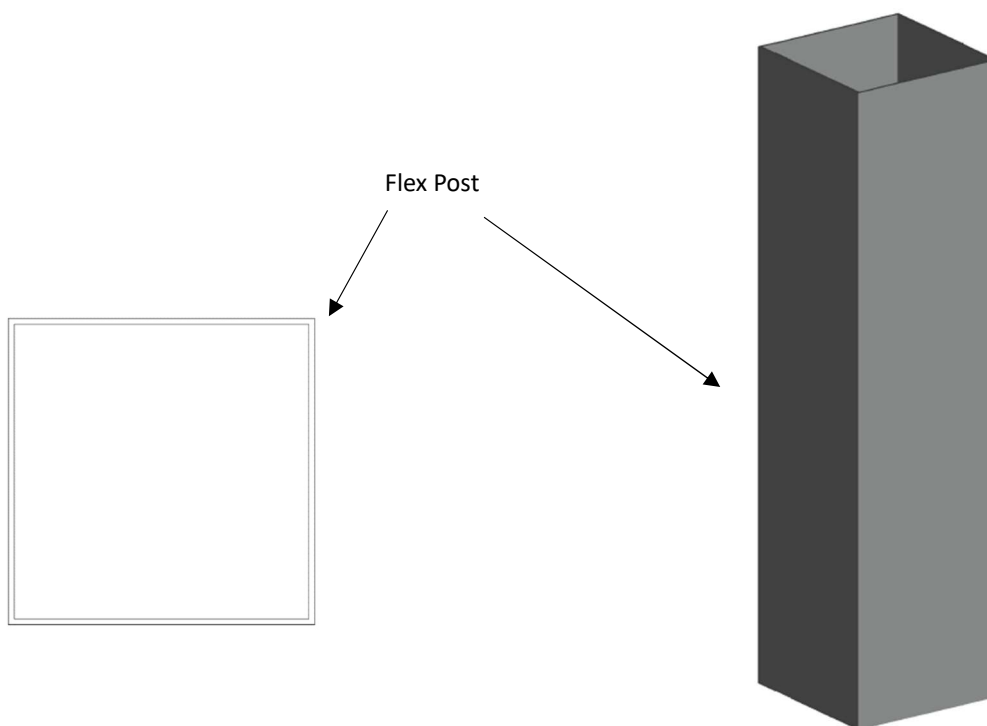


# Nxtwall Installation Instruction

## Flex Post Function

- The function of the Flex Post is to create 90° turns within the layout of the wall system.

Fig. 1

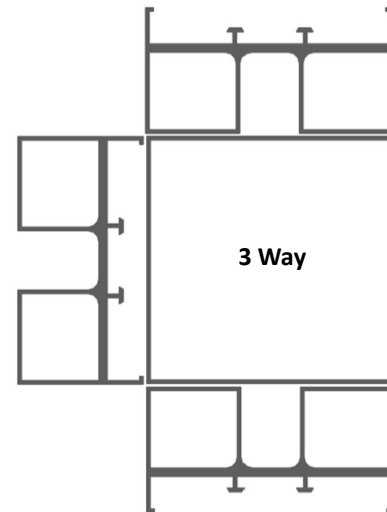
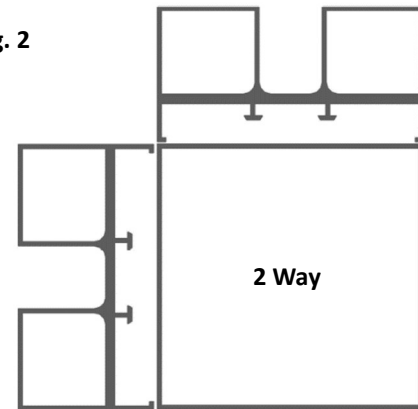


# Nxtwall Installation Instruction

## Flex Post Configurations:

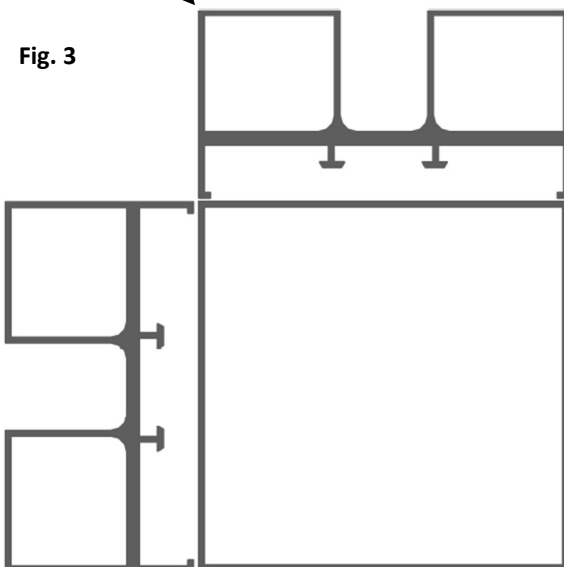
- Anytime there is a Partition coming off a Flex Post there will be a Wall-Start attached to the Post. Fig. 2.
  - The orientation in which the Wall-Start is attached to the Flex Post is dependent on the situation. These situations will be covered later in this guide.
- When attached the edges of the Wall-Start will be flush with the edges of the Flex Post. Fig. 3.

Fig. 2

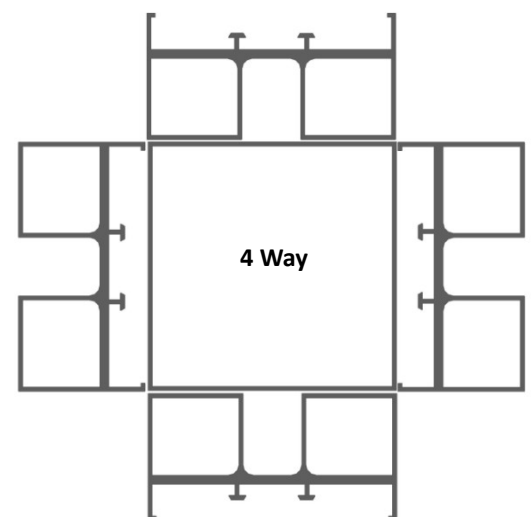


Wall-Start

Fig. 3



Flex Post



# Nxtwall Installation Instruction

## Wall-Start Orientation

The Wall-Start has two sides.

1. Stud Side (Fig. 4)
2. Glass Side (Fig. 5)

The orientation in which the Wall-Start is placed on the Flex Post is dependent on the situation.

- For the section of a Partition with a Swing or Sliding door coming off a Flex Post the “Stud Side” of the Wall-Start will face away from the Post. The “Stud Side” will accept the Door Jambs or the Finish Cover for the door openings. Fig. 6.
- For the non-door opening section of a Partition with fixed panes of glass coming into a Flex Post the “Glass Side” of the Wall-Start will face away from the Post. Fig. 7.

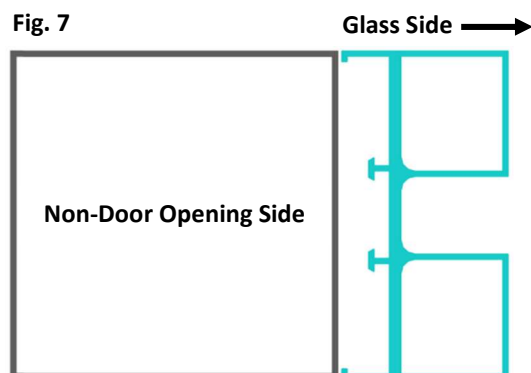
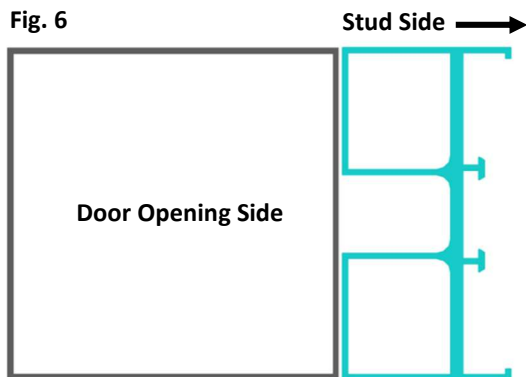


Fig. 4

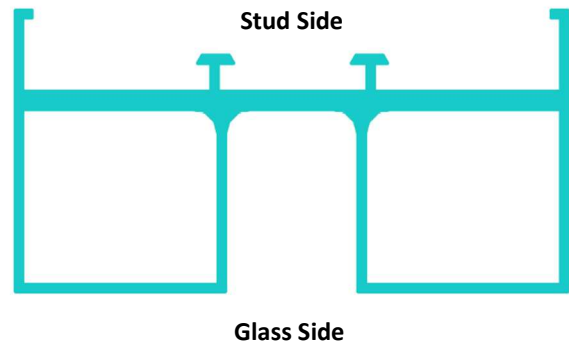


Fig. 5

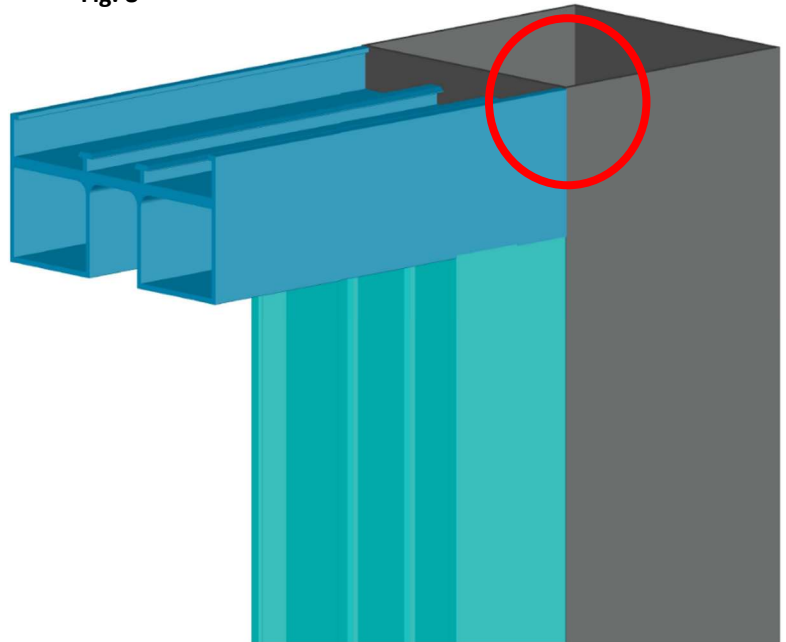


# Nxtwall Installation Instruction

## Flex Posts for View Series Freestanding Applications

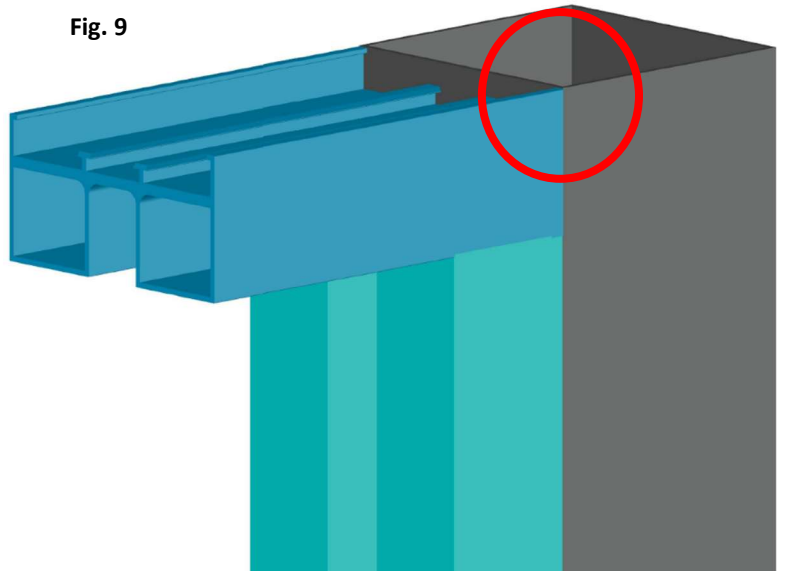
- For Freestanding applications the height of the Flex Post will match the overall height of the partitions.
  - Example: If the overall height of the wall is 8', the height of the Flex Post will be 8'.
- There will be a Wall-Start installed horizontally across the top of the partition.
- The Horizontal Wall-Start will butt directly into the Flex Post. The top edge of the Wall-Start will be flush with the top edge of the Post. Fig. 8 and 9.
  - Note: The "Glass Side" of the Wall-Start will be facing down towards the floor.
- The Flex Post will need to be built prior to installing the framing for the partition. The Horizontal Wall-Start will rest on the Vertical Wall-Start attached to the post.
- For more information on how to frame for View Series Freestanding Applications please reference:
  - View Series Freestanding Framing for Swing Door Installation Guide
  - View Series Freestanding Framing for Sliding Door Installation Guide

Fig. 8



Door Opening Side

Fig. 9



# Nxtwall Installation Instruction

## Flex Post Construction/Installation

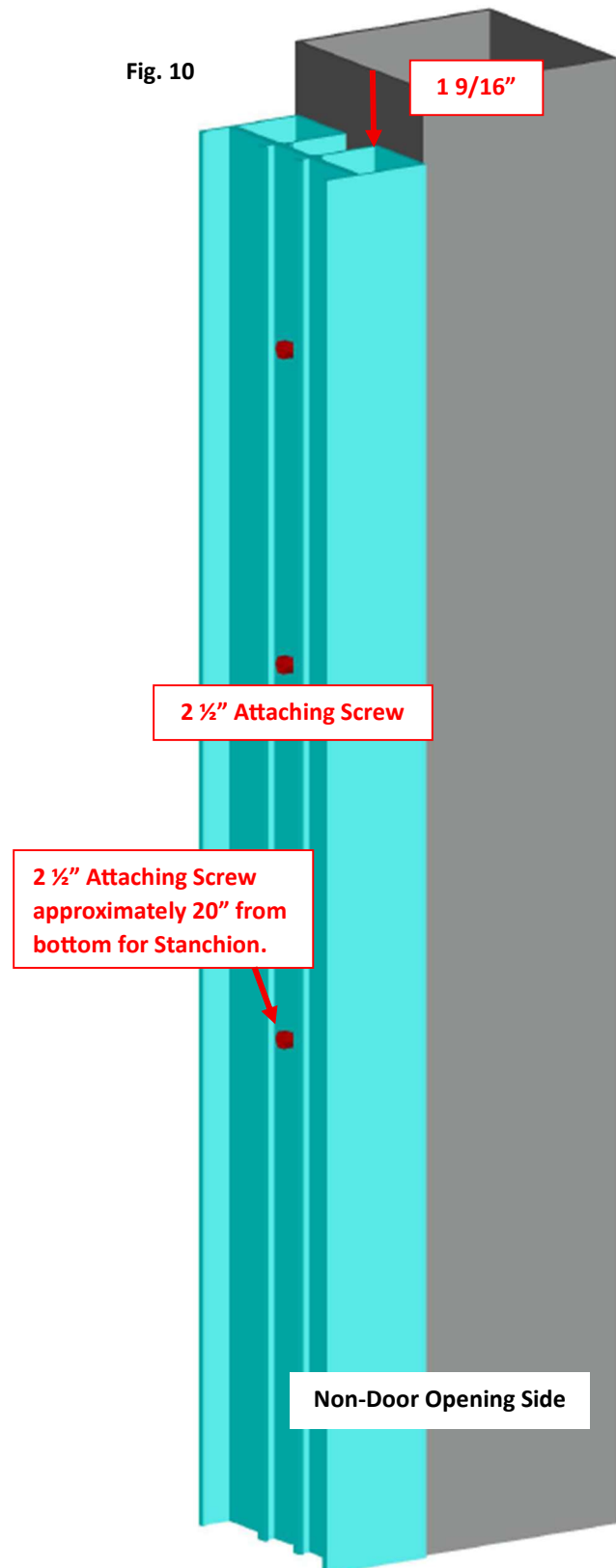
- This section will cover View Series applications for:
  - Swing Doors
  - Sliding Doors

## Flex Post Installation: Door Opening Locations

1. Cut Flex Post to length.
  - a. The length will be the overall height listed on the drawing.
  - b. Note: If the floor is out of level the height of the post may need to be cut to create a level top track. This will be determined during the framing process.
2. Determine the configuration of the Flex Post and which side of the Flex Post will be the door opening.
3. Measure and cut the Wall-Start attaching to the Flex Post.
  - a. **The length of the Wall-Start will be the Length of the Flex Post – 1 9/16"**
4. Place the Wall-Start on the Post to have the Wall-Start 1 9/16" down from the top of the Post. Fig. 10.
5. Flush the edges of the Wall-Start with the Post and attach using 4 – 2 1/2" Framing Screws. Fig. 10.
  - a. For door openings make sure the "Stud Side" is facing away from the Post.
  - b. Note: At the top of the Post keep the attaching screw at least 6" down from the top of the Wall-Start. This will ensure the attaching screw does not interfere with the L-Bracket. Fig. 11.
  - c. Note: At the bottom of the Post keep the attaching screw 20" from the bottom of the Post. The Post will need to slide over the Post Stanchion, this will keep the screw from interfering with the Stanchion. Once the Flex Post

is installed onto the Stanchion the attaching screw can be installed.

Fig. 10



# Nxtwall Installation Instruction

## Flex Post Installation onto Freestanding Post Stanchion

1. With the Flex Post built it can be installed onto the Post Stanchion.
2. Slide the Flex Post over the Post Stanchion. Fig. 11.
3. Make sure the Flex Post is plumb. If needed loosen the anchoring screws, use the adjustment bolts to plumb the post, then retighten the anchoring bolts.
4. Attach the Flex Post to the Post Stanchion using a 2 1/2" Framing Screw. The screw will go through the Wall-Start/Flex Post and into the Post Stanchion.
  - a. Note: Pre-drill Post/Stanchion using a 5/32" drill bit to assist with the attaching screw. Fig. 12
5. With the Flex Post(s) installed onto the Post Stanchions the remainder of the framing can be installed.

Fig. 11

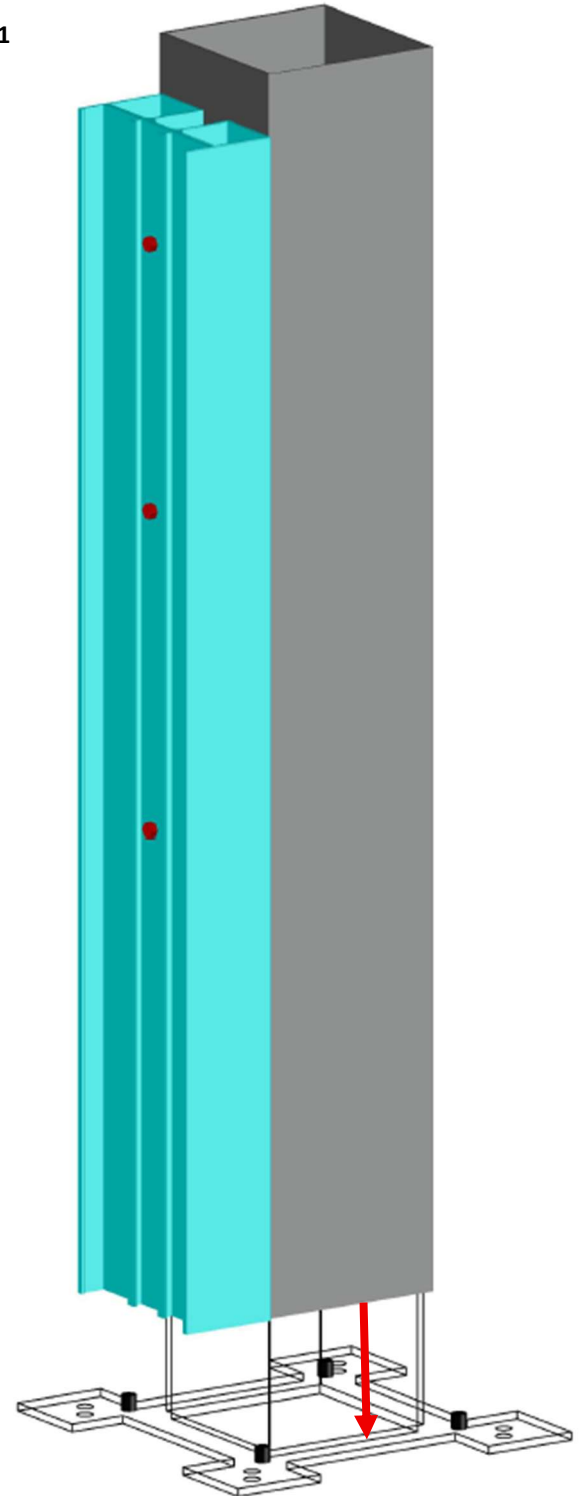
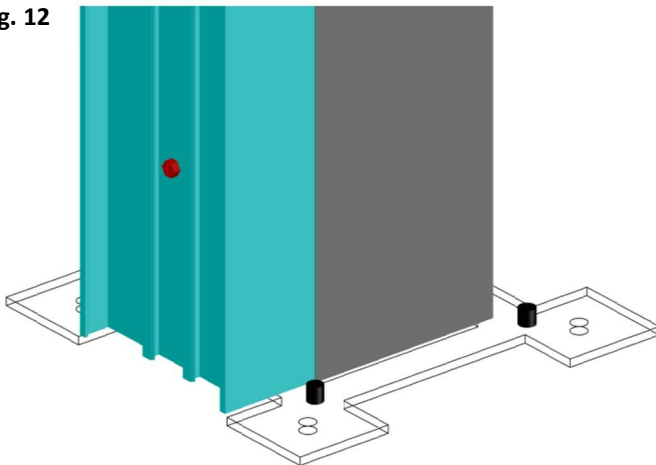


Fig. 12



**Note: If the ceiling height is too short to slide the Flex Post over the Post Stanchion the Post Stanchion can be slid into the Flex Post then placed in the correct location. Once in the correct location the Post Stanchion can be anchored to the floor.**

# Nxtwall Installation Instruction

## Post Installation: Swing Door Applications at Top of Partition

1. With the Flex Post/Stanchion in place the remainder of the Partition can be installed.
2. With the horizontal Wall-Start cut to the correct length place the horizontal Wall-Start onto the Wall-Start attached to the Flex Post. Place the horizontal Wall-Start tight to the Flex Post. Fig. 13.
3. Set the door opening and attach Flex Track to the horizontal Wall-Start.
  - a. For more information reference the “View Series Freestanding Framing for Full Height Swing Door”
4. Attach the Flex Track to the vertical Wall-Start/Flex Post. Fig. 14.
  - a. Slide Flex L-Bracket into the center of the Wall-Start.
  - b. Attach L-Bracket to the Stud using 2 – 5/8" Framing Screws
5. Create a tight fit between the Flex Track and the Wall-Start/Flex Post. Once tight, tighten the set screw.
  - a. To ensure the connection stays tight, run a framing screw through an open hole in the L-Bracket and into the Flex Track. Fig. 15.

Fig. 13



Fig. 14

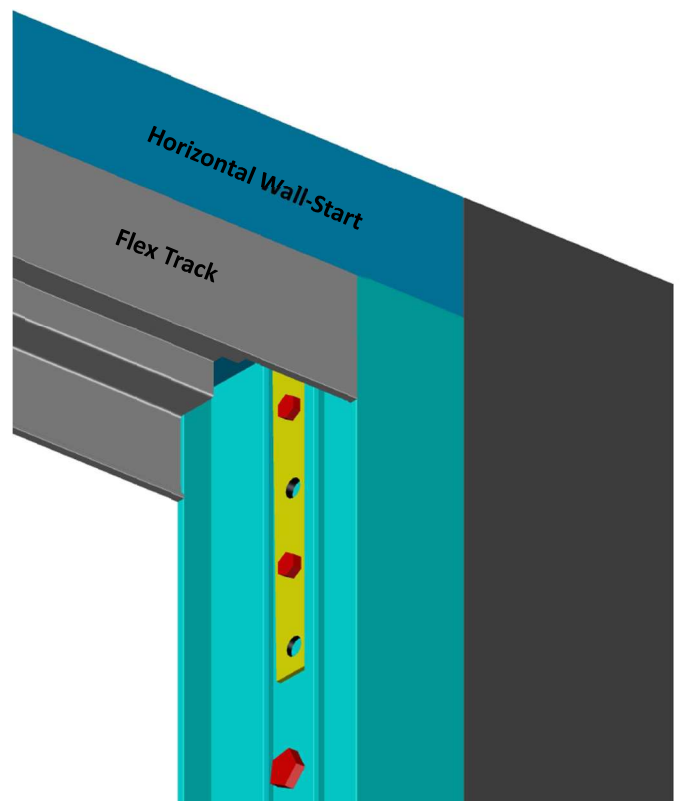
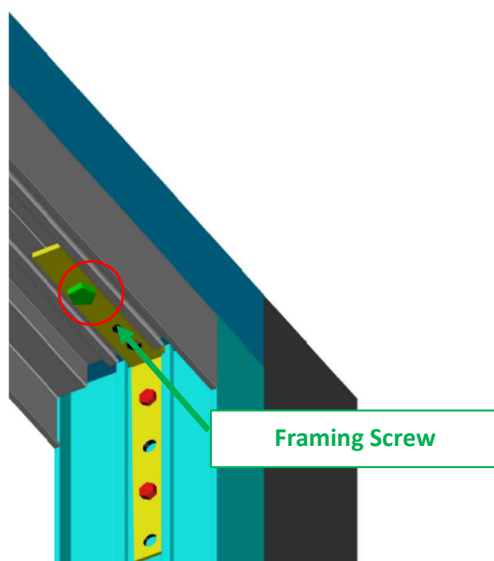


Fig. 15



# Nxtwall Installation Instruction

## Post Installation: Sliding Door Applications at Top of the Partition

1. With the Flex Post/Stanchion in place the remainder of the Partition can be installed.
2. With the horizontal Wall-Start cut to the correct length place the horizontal Wall-Start onto the Wall-Start attached to the Flex Post. Place the horizontal Wall-Start tight to the Flex Post. Fig. 16.
3. Set the door opening and attach the View Guide to the horizontal Wall-Start. Fig. 17.
  - a. Slide View L-Bracket into the center of the Wall-Start.
  - b. Attach L-Bracket to the Stud using 2 – 5/8" Framing Screws
  - c. For more information reference the "View Series Freestanding Framing for Full Height Sliding Door"
4. Create a tight fit between the View Guide and the Wall-Start/Flex Post. Tighten the Leveling Bolt in the View Guide tight to the View L-Bracket.
  - a. This will keep the View Guide tight to the Wall-Start/Post.
  - b. If needed an anchoring screw can be ran through one of the open holes in the View L-Bracket.

Fig. 16

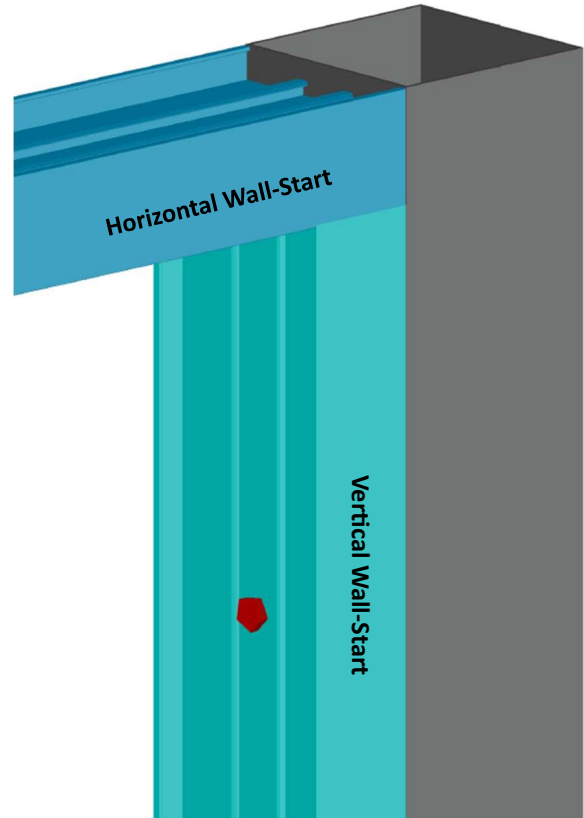
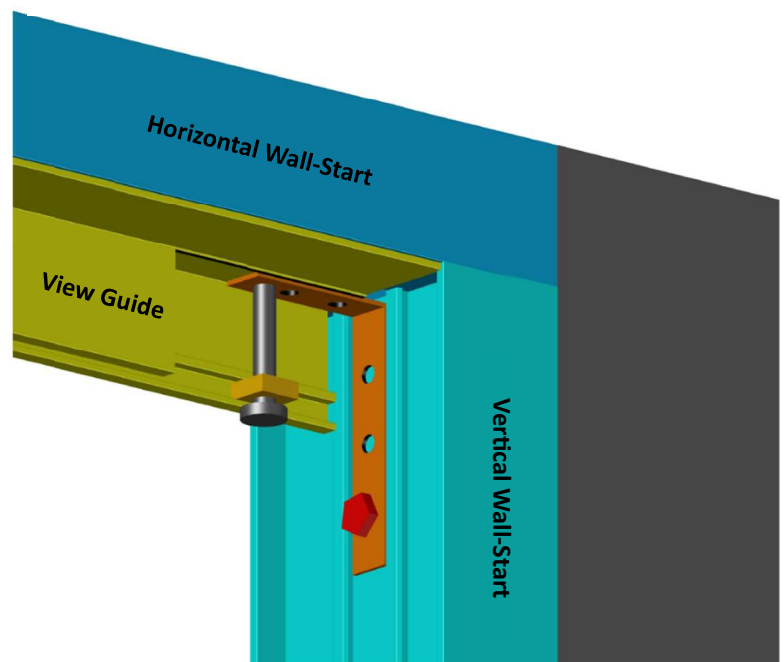


Fig. 17



# Nxtwall Installation Instruction

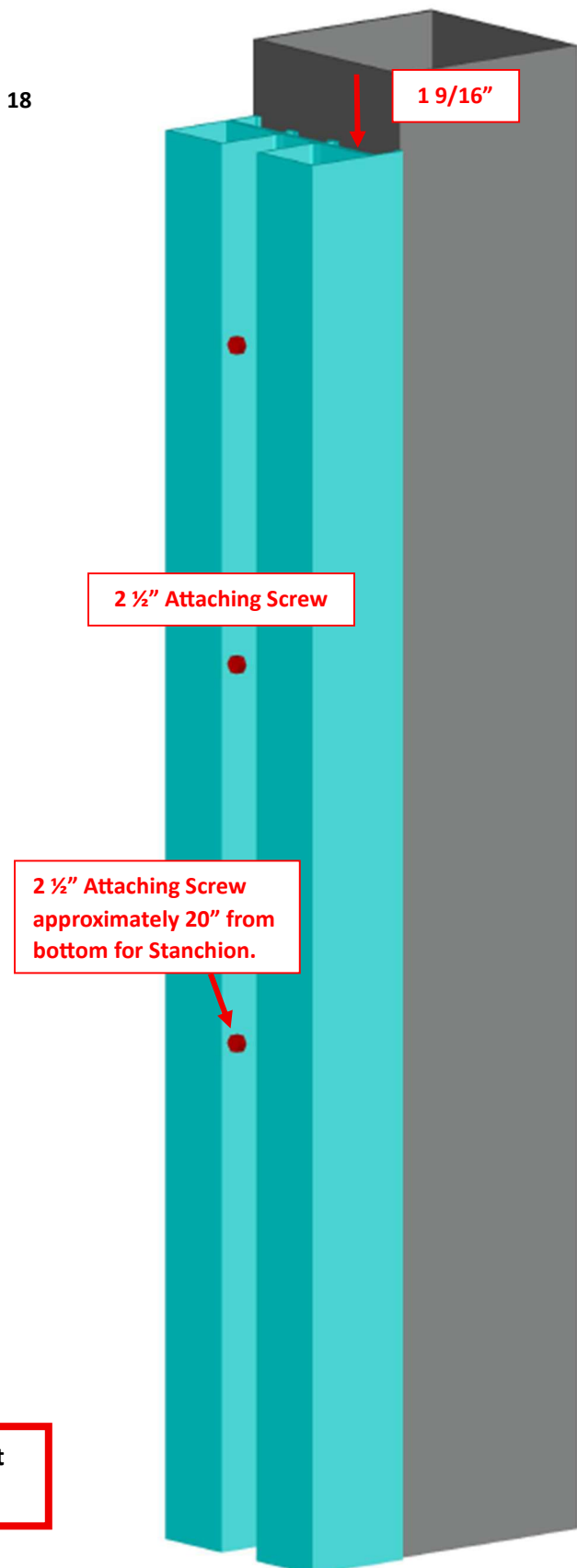
## Flex Post Construction/Installation

- This section will cover View Series applications for:
  - Non-Door Opening Locations

### Flex Post Installation: Non-Door Opening Locations

1. Cut Flex Post to length.
  - c. The length will be the overall height listed on the drawing.
  - d. Note: If the floor is out of level the height of the post may need to be cut to create a level top track. This will be determined during the framing process.
2. Determine the configuration of the Flex Post and which side of the Flex Post will be the non-door opening side. The Glass Side should be facing the opening for Non-Door Opening locations.
3. Measure and cut the Wall-Start attaching to the Flex Post.
  - a. **The length of the Wall-Start will be the Length of the Flex Post – 1 9/16"**
4. Place the Wall-Start on the Post to have the Wall-Start 1 9/16" down from the top of the Post. Fig. 18.
5. Flush the edges of the Wall-Start with the Post and attach using 4 – 2 1/2" Framing Screws. Fig. 18.
  - a. Note: At the bottom of the Post keep the attaching screw 20" from the bottom of the Post. The Post will need to slide over the Post Stanchion, this will keep the screw from interfering with the Stanchion. Once the Flex Post is installed onto the Stanchion the attaching screw can be installed.

Fig. 18



**Note: Reference Page 8 for installing Flex Post onto Post Stanchion.**

# Nxtwall Installation Instruction

## Installing View Guide/Wall-Start to Flex Post at Top of Partition

1. At the top of the partition with the horizontal Wall-Start in place attach the View Guide to the Wall-Start using a 4" Screw. Fig. 19.
  - a. Note: The View Guide will butt into the vertical Wall-Start attached to the Post.
  - b. Include a View L-Bracket and Leveling Bolt in the View Guide.
2. Align the Wall-Start and View Guide with the vertical Wall-Start. Slide View L-Bracket into the center of the Wall-Start.
  - a. Attach L-Bracket to the Wall-Start using 2 – 5/8" Framing Screws
3. Tighten the Leveling Bolt to the L-Bracket in the View Guide to hold the L-Bracket in place.
4. Attach L-Bracket to the inside of the View Guide to anchor the Bracket in place. Fig. 20.
  - a. Note: Use a step bit to create a hole large enough in the View Guide to allow a bit driver to fit for the anchoring screw.

Fig. 19

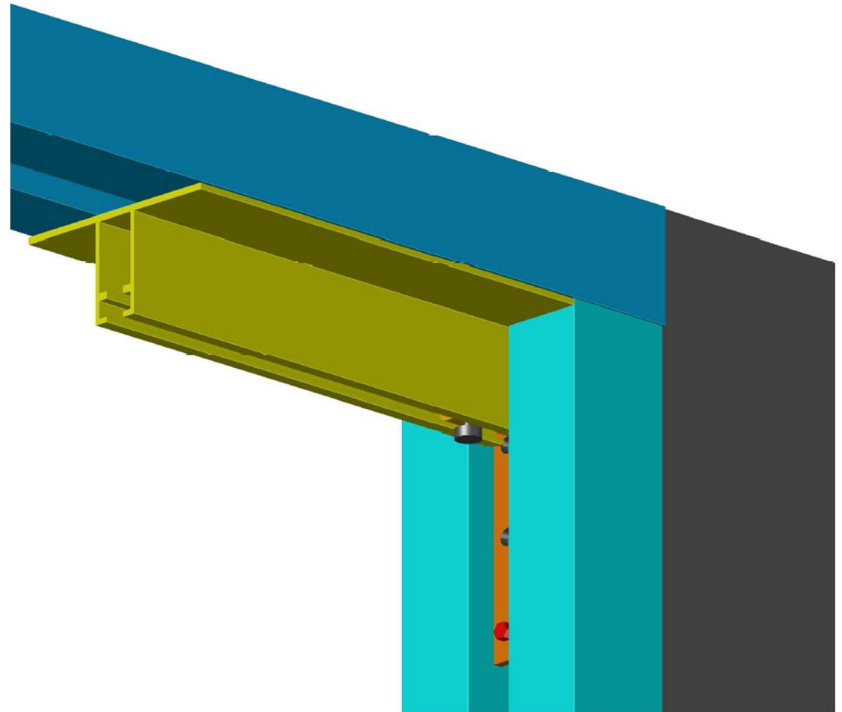
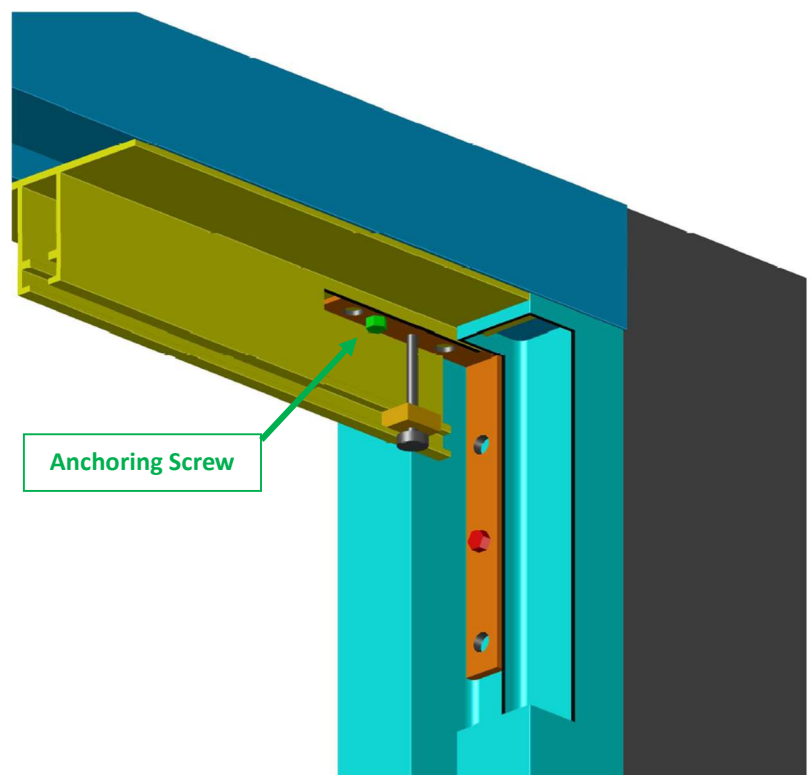


Fig. 20



# Nxtwall Installation Instruction

## Installing View Guide/Wall-Start to Flex Post at the Floor

1. At the floor slide the View Guide under the vertical Wall-Start. The View Guide will butt into the Post Stanchion. Fig. 21.
  - a. Note: Include a Leveling Bolt and View L-Bracket in the View Guide.
2. Slide View L-Bracket into the center of the Wall-Start.
  - a. Attach L-Bracket to the Wall-Start using 2 – 5/8" Framing Screws.
3. Tighten the Leveling Bolt to the L-Bracket in the View Guide to hold the L-Bracket in place.
4. Attach L-Bracket to the inside of the View Guide to anchor the Bracket in place. Fig. 22.
  - a. Note: Use a step bit to create a hole large enough in the View Guide to allow a bit driver to fit for the anchoring screw.

Fig. 21

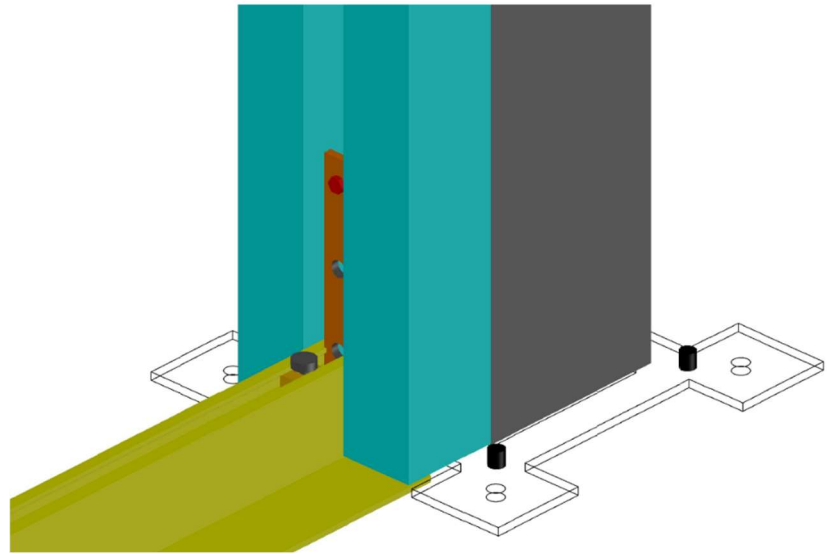
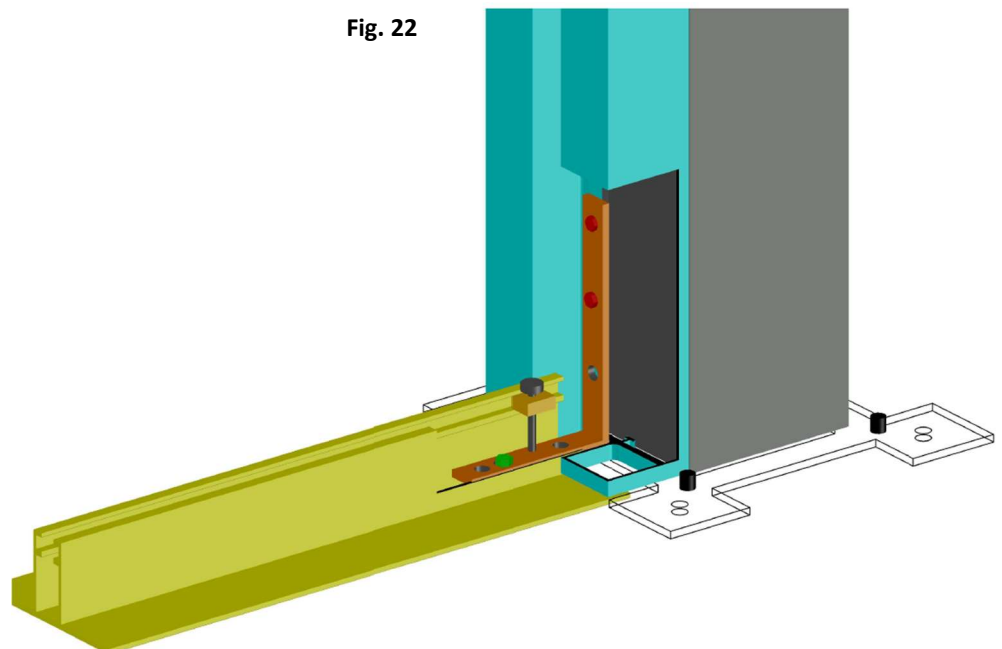


Fig. 22



# Nxtwall Installation Instruction



Phone: (269) 488-2752

01/2024

---