

# Nxtwall Installation Instruction

## Installation Scenario:

Freestanding View Series with Sliding Door

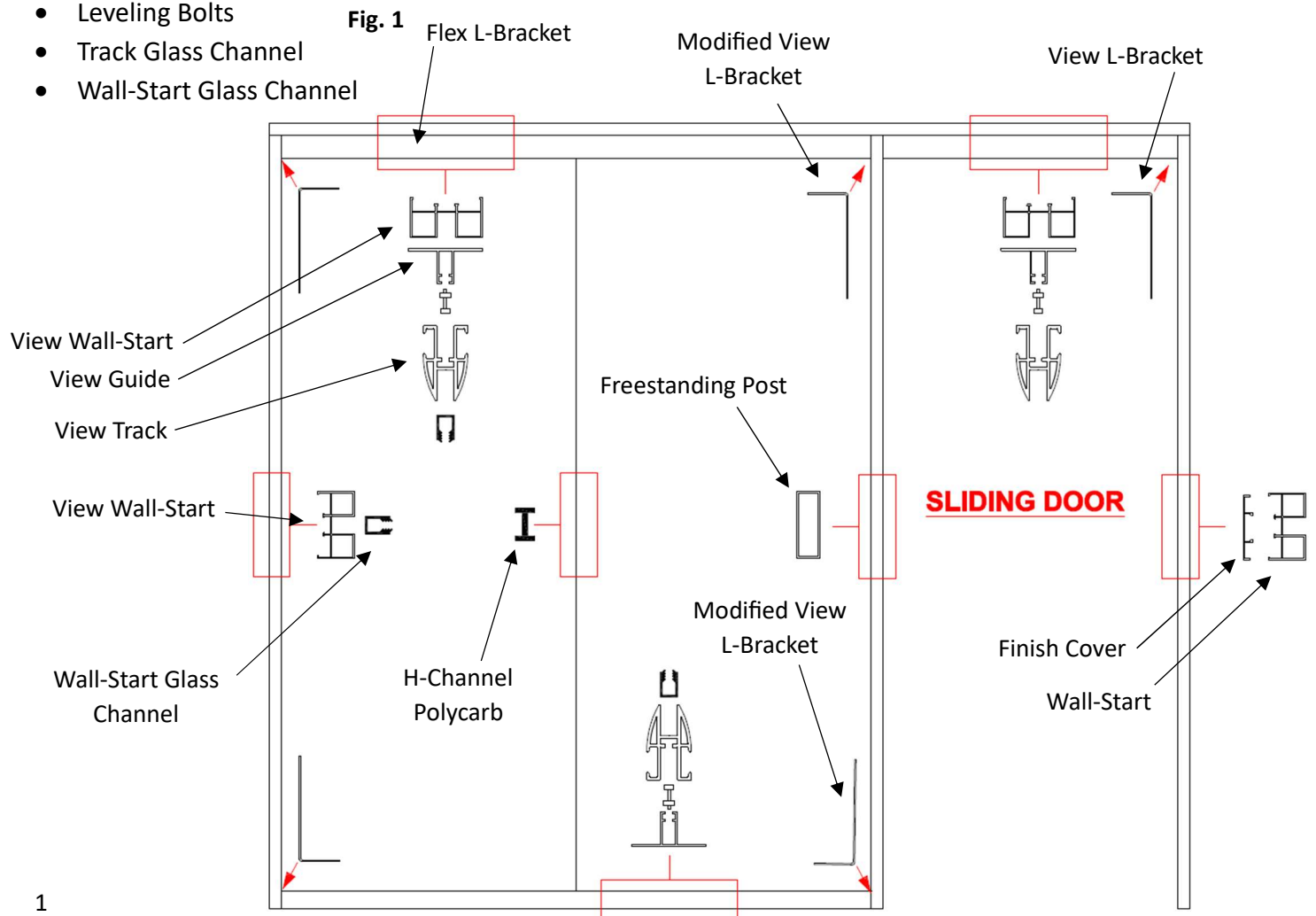
- This guide covers how to frame for this scenario only, does not include glass or door installation.

## Nxtwall Components Covered by this Instruction:

- View Wall-Start
- View Track
- View Guide
- Freestanding Post
- View L-Bracket
- Leveling Bolts
- Track Glass Channel
- Wall-Start Glass Channel

## Recommended Installation Tools:

- Miter Saw
- Laser Level (or Level)
- Tape Measure
- Impact Driver and/or Drill
- Nylon Mallet/Rubber Mallet
- Phillips Screwdriver
- Utility Knife
- Hammer Drill
- External Attaching Hardware
  - Note: Nxtwall does not include external attaching hardware.

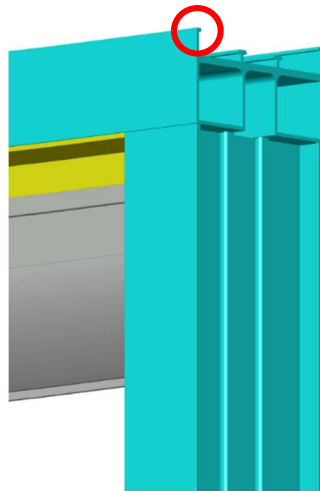


# Nxtwall Installation Instruction

## General Notes for Installation:

1. Read through all instructions to fully understand the Nxtwall Installation process.
2. Note the names of the framing components listed for this installation scenario.
3. Layout the location of the partitions. Mark the floor, ceiling, and existing walls. Use the overall dimensions on the drawing as a reference.
  - a. Note: Nxtwall is a field fit system, if needed the dimensions can be slightly changed on site.

Fig. 2



Overall Height Measured to the Top Edge of the Wall-Start

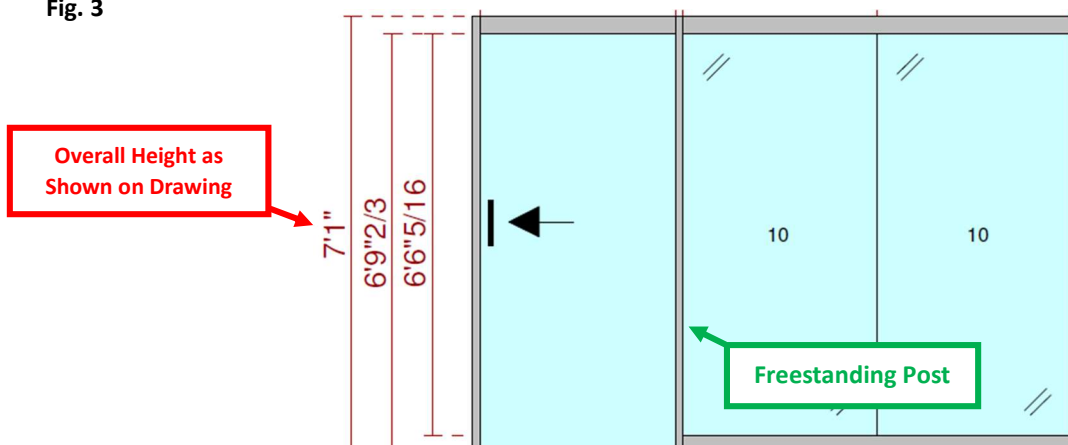
## Notes for Freestanding Applications:

1. For freestanding applications there will be a View Wall-Start installed horizontally at the top of the wall.
2. The View Wall-Start is sent to be laminated to the View Guide at the top of the wall.
  - a. The purpose of the Wall-Start is to provide an attaching point for the View guide.
  - b. The Wall-Start adds rigidity to the wall system.
3. The overall height listed on the drawing is from the floor to the top edge of the View Wall-Start at the top of the wall.

Fig. 2.

- a. Note: The elevation drawing does not show the Wall-Start at the top of the wall.
- b. Example: The overall height on the drawing shows 7' 1". The overall height is 7' 1" from the floor to the top edge of the View Wall-Start. Fig 3.
- c. If there is any type of pre-ordered door it is important to match the overall height listed on the drawing at the door location(s). The height of the door is based on the height of the wall, any variance may lead to the doors not fitting properly.

Fig. 3



Overall Height as Shown on Drawing

Freestanding Post

For more information on freestanding installations please reference "View Series Freestanding Installation Notes" guide.

# Nxtwall Installation Instruction

## Framing Configuration at Top of Wall

Reference this page during the installation procedure.

At the top of the wall the Wall-Start will run horizontally the entire length of the partition and rest on the vertical Wall-Starts. Fig. 4.

At the top of the wall within the door opening and on the fixed panel side of the partition there will be a View Guide laminated to the View Wall-Start. Fig. 5.

Reference the remainder of the installation guide for proper installation.

Fig. 4

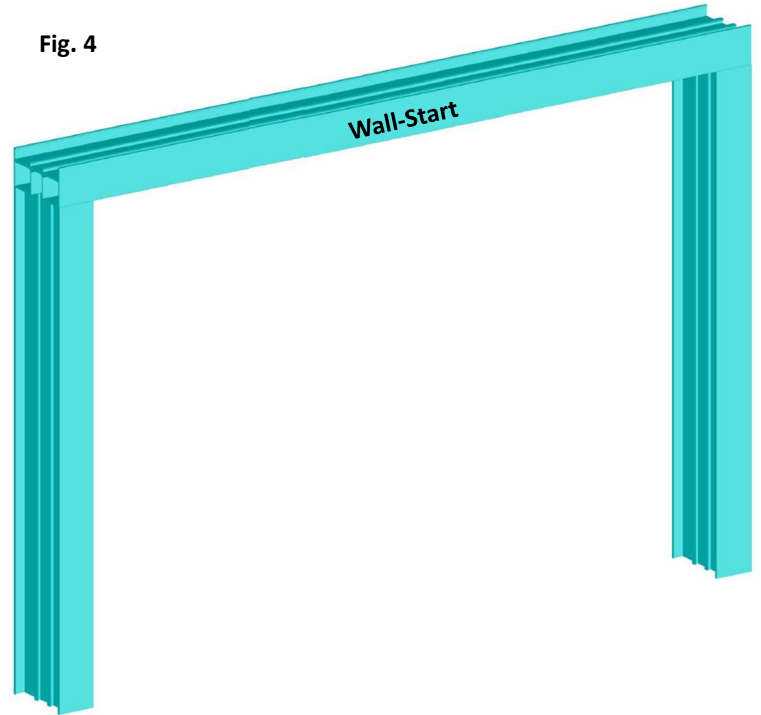
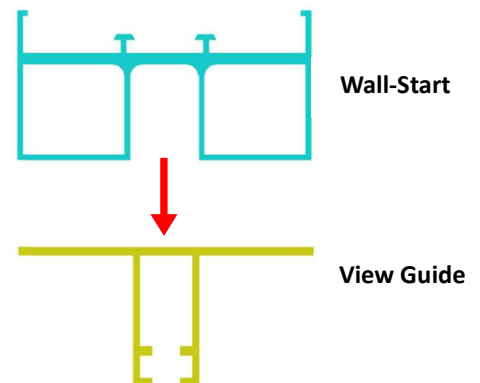
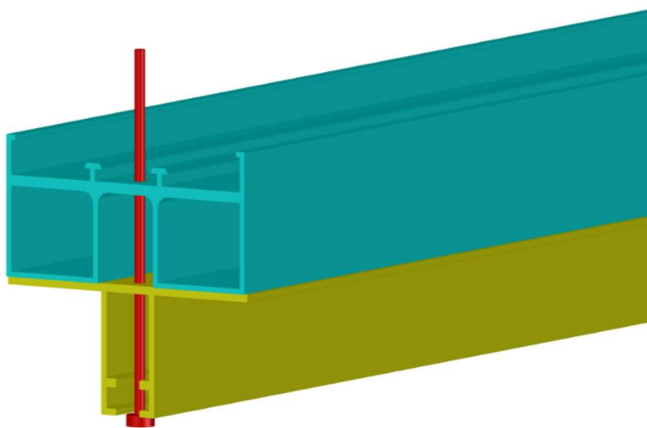


Fig. 5



# Nxtwall Installation Instruction

## Installation Procedure:

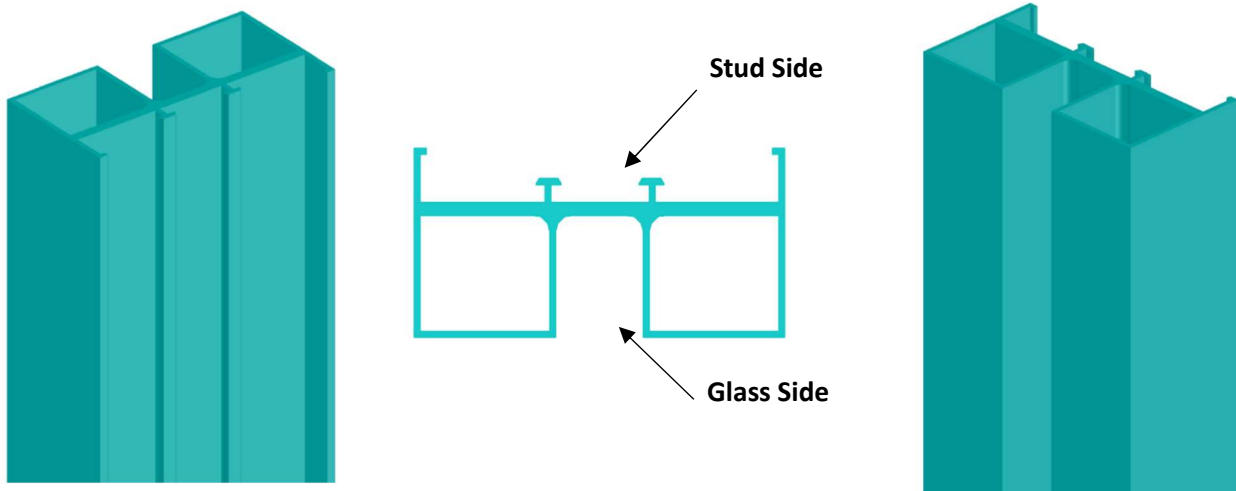
1. Set a laser level at the overall height listed on the drawing.
2. Measure for vertical View Wall-Starts on each end of the Partition. Fig. 6.
  - a. Measurement is from Floor to the Top of the Wall – 1 9/16".
  - b. Start with the Wall-Start on the hinge side of the opening.
  - c. If there is a variance in the floor make sure to match the overall height at the door location. If needed, cut the Wall-Start on the opposite side of the door opening to ensure the top of the wall remains level.
3. Determine the orientation of the Wall-Starts. Fig 7.
  - a. On the Door Opening side the "Stud Side" of the Wall-Starts will be facing the center of the door opening.
  - b. On the Non-Door Opening side the "Glass Side" of the Wall-Start will be facing the center of the opening.

Fig. 6

Laser Level at Overall Height



Fig. 7



# Nxtwall Installation Instruction

4. Attach the Wall-Start to the existing wall on the door opening side and the existing wall on the opposite side of the partition. Fig. 8.
  - a. Make sure the Wall-Starts are plumb. This is especially important on the door opening side due to the door sliding into this Wall-Start..
  - b. If the partition is coming off a Flex Post attach the Wall-Start to the Flex Post. Reference "Freestanding View Series Flex Post Installation" for more information.
5. Measure for the horizontal Wall-Start at the top of the wall. Fig. 9.
  - a. The horizontal Wall-Start will run the entire length of the partition.
  - b. The measurement will be from existing wall to existing wall, existing wall to Flex Post, Flex Post to Flex Post.

Fig. 8

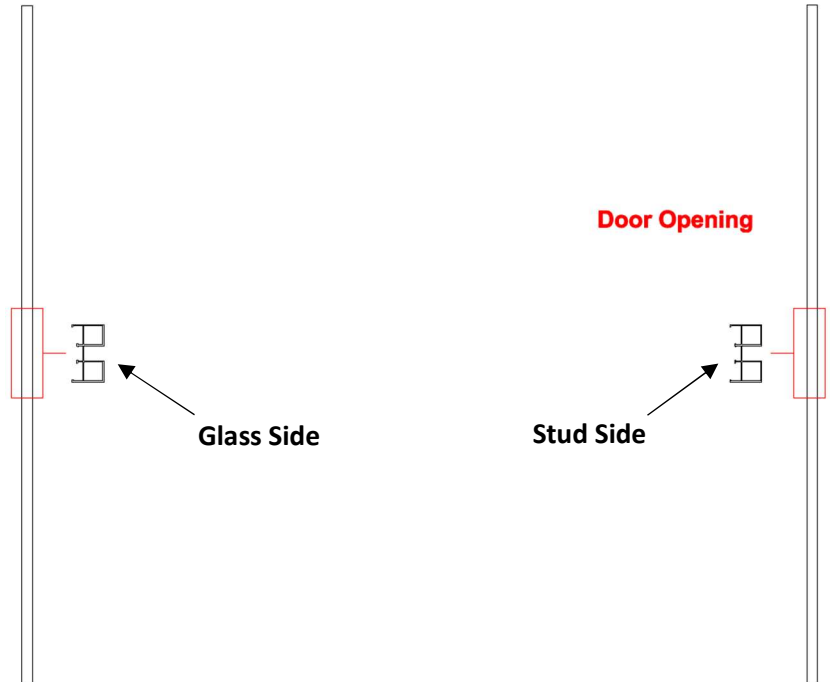
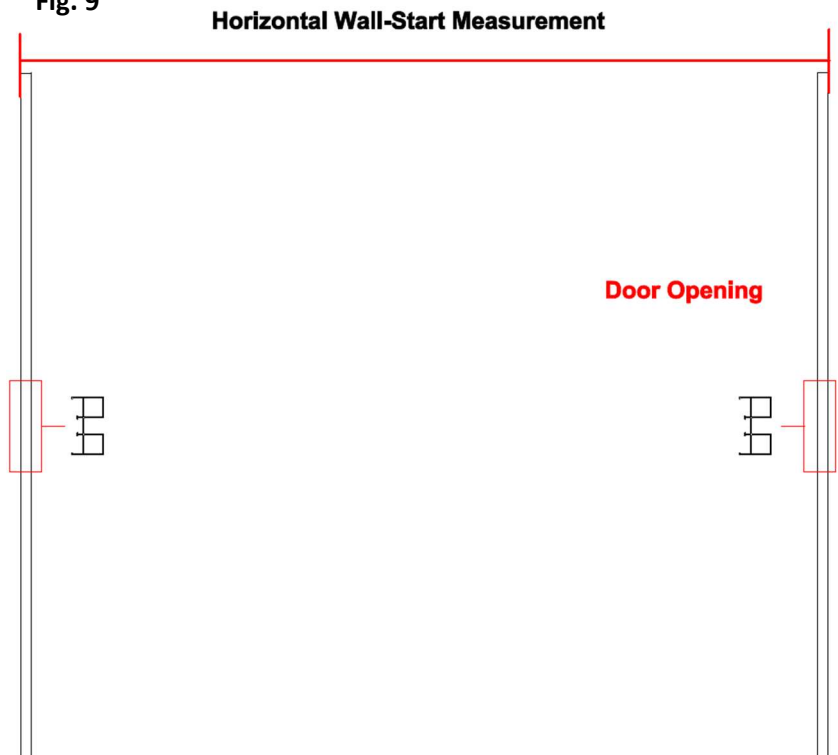


Fig. 9



# Nxtwall Installation Instruction

6. Place the horizontal Wall-Start on top of the vertical Wall-Start with the "Glass Side" facing down. Fig. 10.
  - a. The horizontal Wall-Start should be level and the top edge of the Wall-Start should be at the overall height.
  - b. The "Glass Side" facing down will provide an attaching point for the remaining framing.
7. Attach the horizontal Wall-Start to the vertical Wall-Starts using View L-Brackets. Fig. 10
  - a. Create a tight fit between the Wall-Starts. Use 4 - 5/8" Framing Screws to attach the L-Bracket to the inside of the Wall-Starts.
8. On the Door Opening side measure for the Finish Cover.
  - a. The measurement is from the floor to the bottom of the horizontal Wall-Start.
9. Install the Finish Cover onto the Door Opening side Wall-Start. Fig. 11.
  - a. To install, place the Finish Cover into the center of the Wall-Start. Strike the center of the Finish Cover to snap the Finish Cover onto the Wall-Start.

Fig. 10

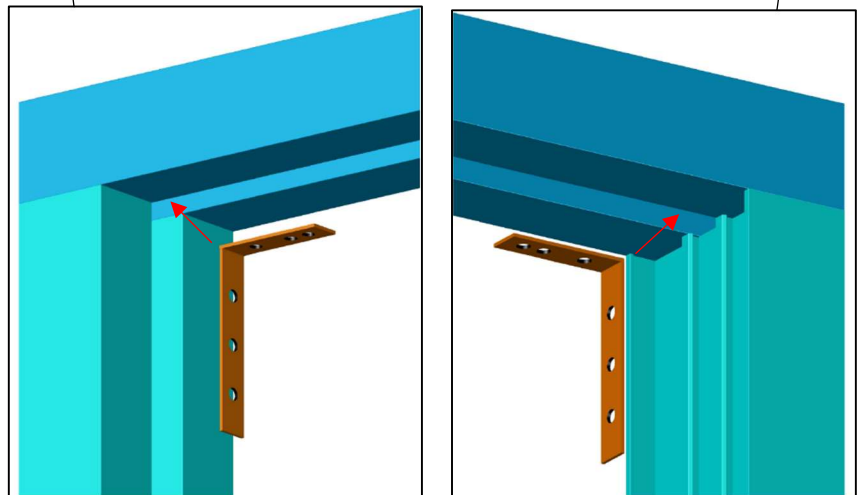
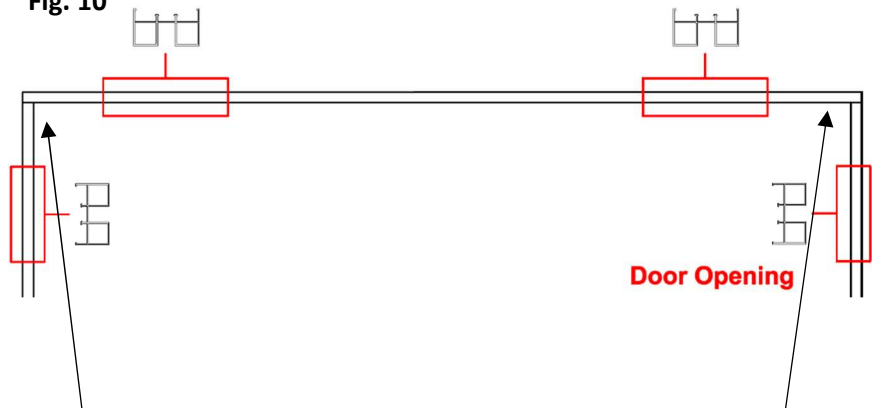
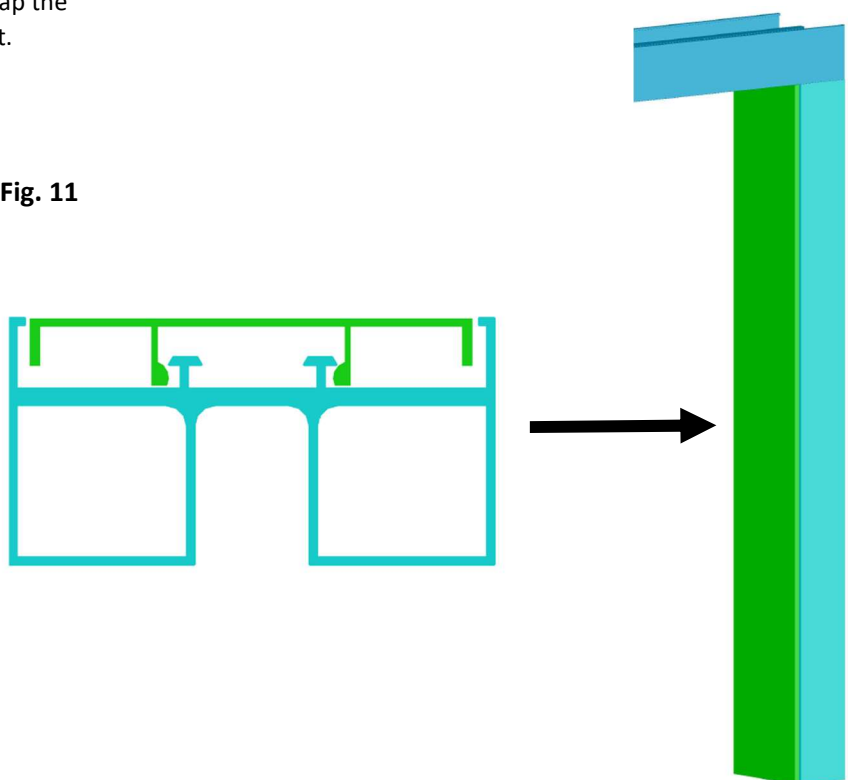


Fig. 11



# Nxtwall Installation Instruction

10. Measure and cut the View Track and Guide within the Door Opening. Fig. 12.
  - a. The View Track and Guide measurement will be 38" (3' 2").
  - b. The View Track and Guide can be cut together.
11. Separate the View Track from the View Guide.
12. Slide two Leveling Bolts into the View Guide.
13. Place the View Guide tight to the horizontal Wall-Start and View Wall-Start/Finish Cover. Fig. 13.
14. Attach the View Guide to the horizontal View Wall-Start. Attach using 2 – 4" Framing Screws. Fig. 14.
  - a. Make sure the edges of the View Guide are flush with the edges of the View Wall-Start.
  - b. Use quick clamps to assist with installation.

Fig. 12

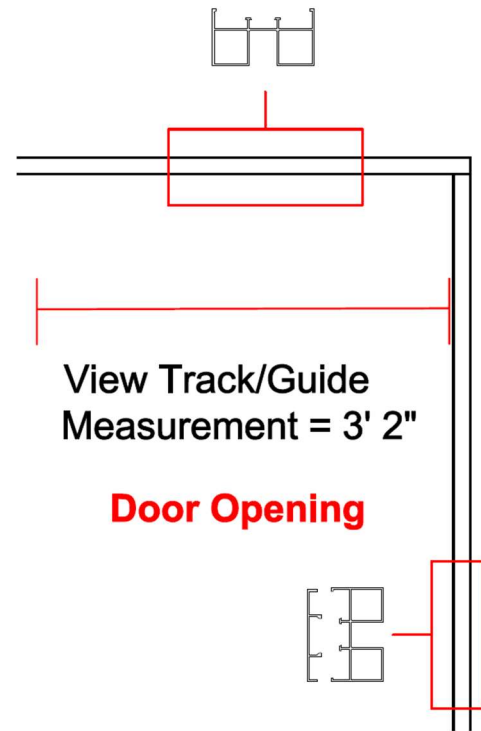


Fig. 13

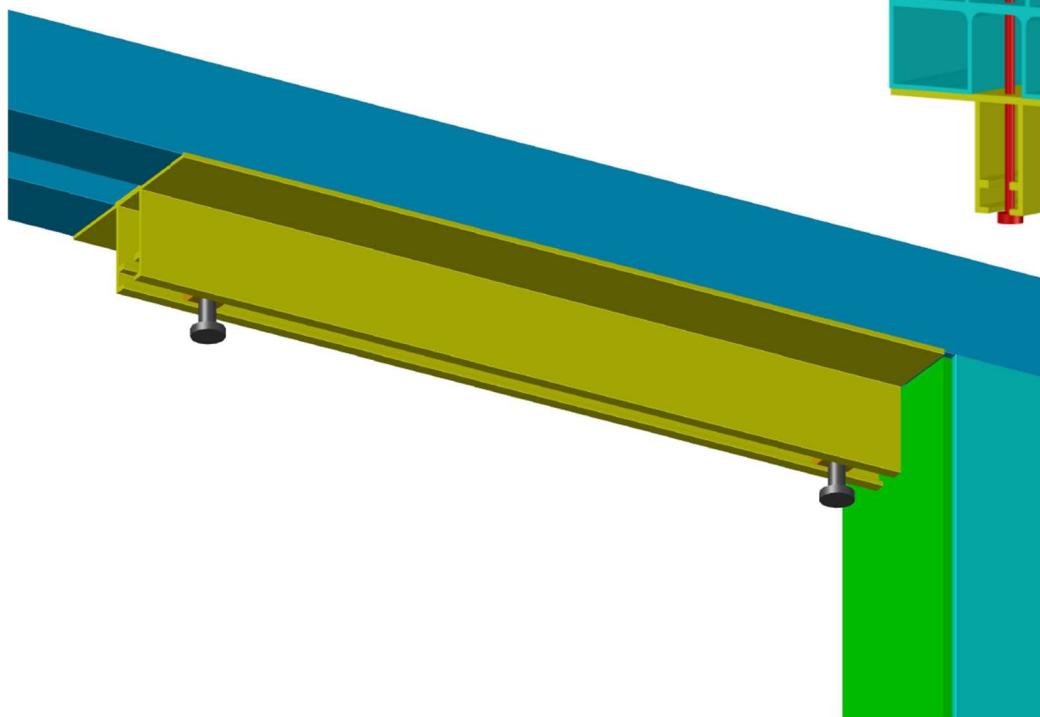
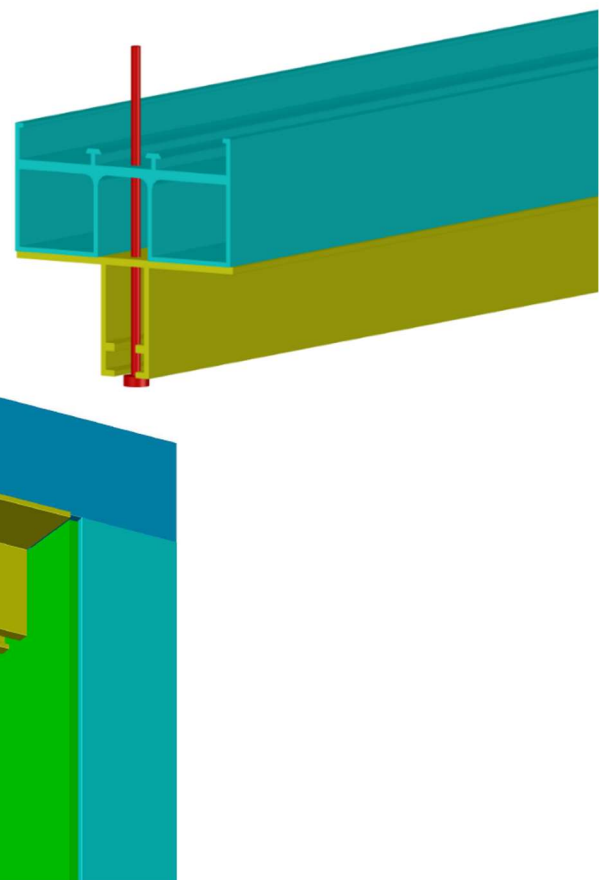


Fig. 14



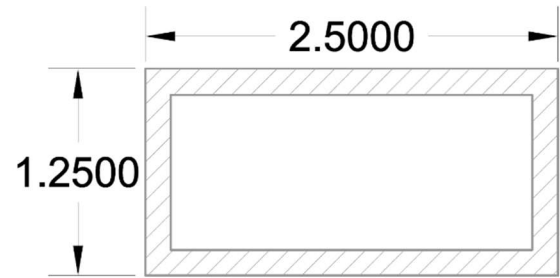
# Nxtwall Installation Instruction

15. Measure for the Freestanding Post for the door opening. Fig. 15.

- a. The measurement is from the floor to the horizontal Wall-Start.
- b. This will be an exact measurement.

16. Place the Freestanding Post tight against the View Guide within the door opening. Fig. 16.

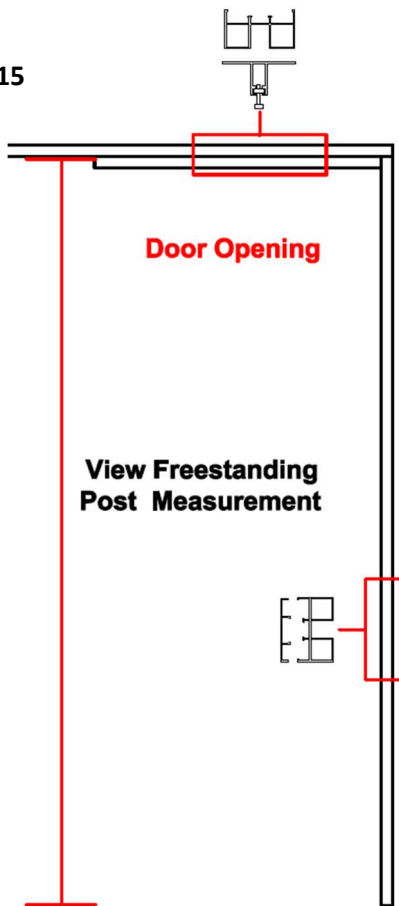
- a. Plumb the Freestanding Post. Make sure the door opening is 38" at the top and bottom of the door opening. Fig. 17.



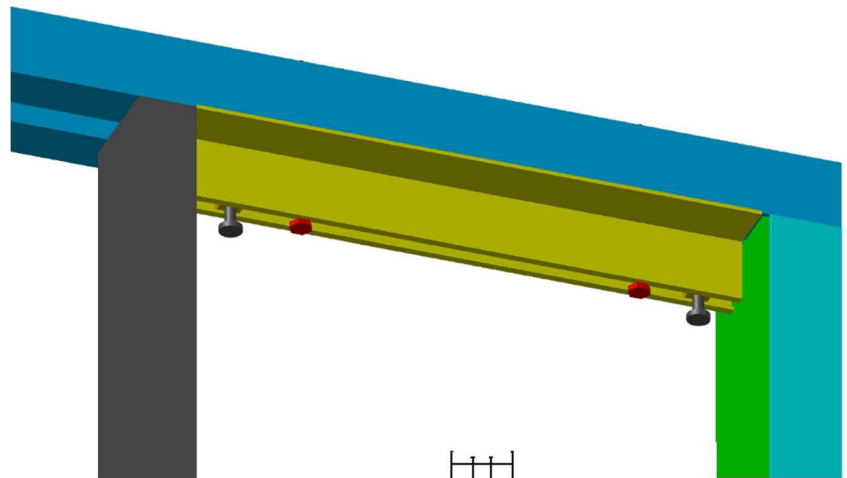
**Freestanding Post**

The purpose of the Freestanding Post is to add support under the horizontal Wall-Start. The additional support is needed to support the weight of the sliding door.

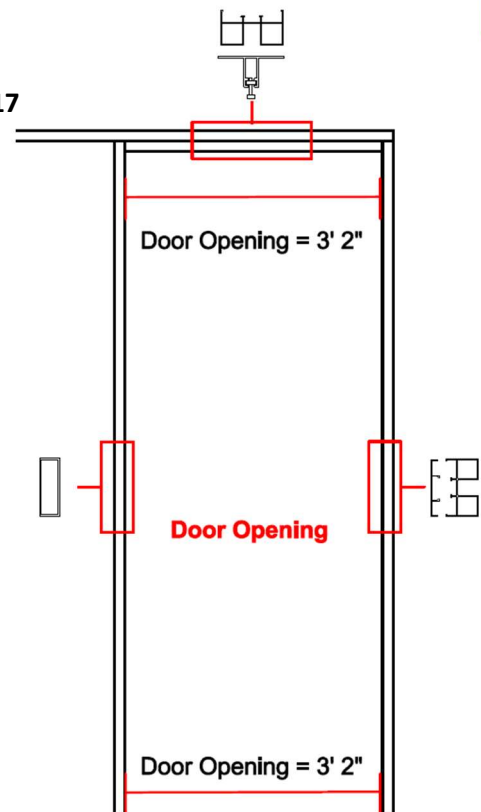
**Fig. 15**



**Fig. 16**



**Fig. 17**





# Nxtwall Installation Instruction

17. Measure for the View Track and Guide at the top and bottom of the partition.

Fig. 18.

- a. The measurement will be from the Wall-Start to the Freestanding Post.

18. Separate the View Guide from the View Track.

19. Prior to attaching the View Guide the View Guide will need to be prepped to allow the Freestanding Post to be attached to the wall system.

- a. The prep will apply to the View Guide at the top and bottom of the partition.

## View Guide Preparation:

20. On the Freestanding Post end of the View Guide the View Guide will need to be notched.

- a. The notch will need to be 2 1/2" (Length) x 5/8" (Depth). Fig. 19
- b. This will allow the L-Bracket to be attached to the Freestanding Post.

Fig. 18

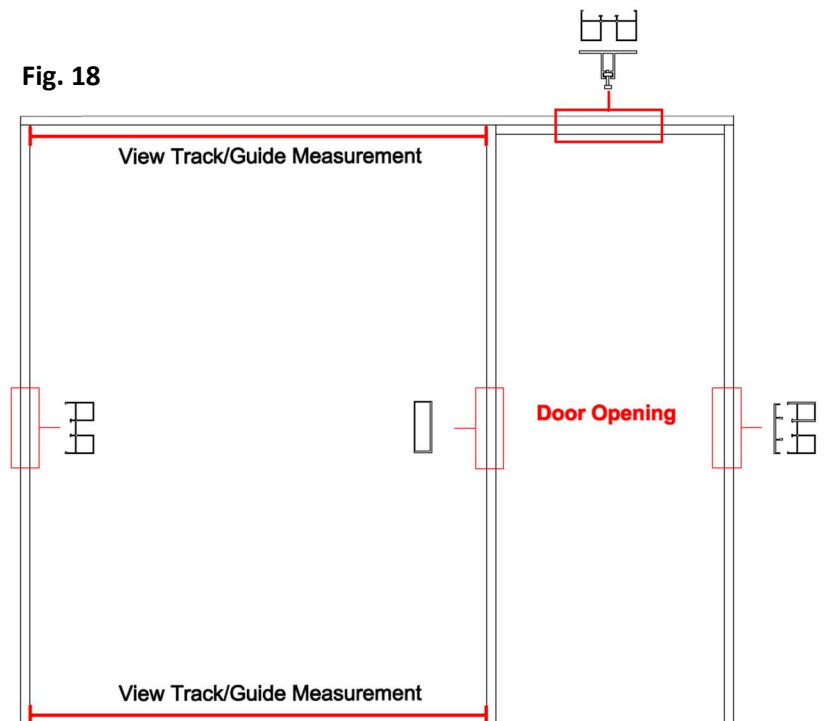
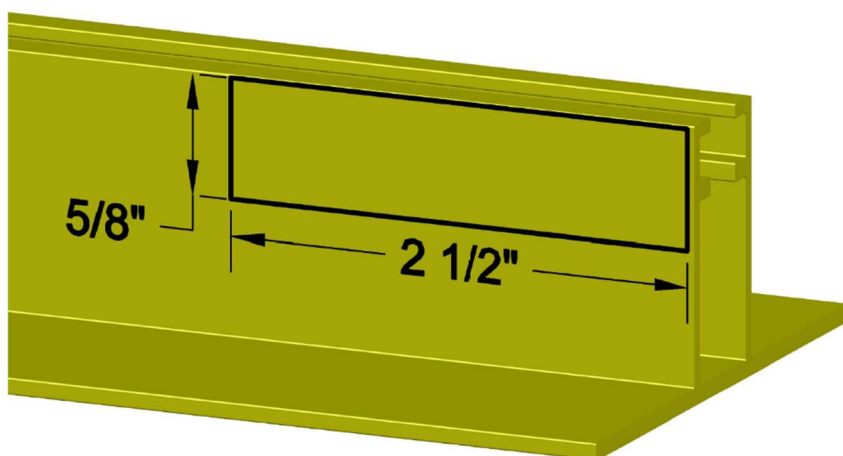


Fig. 19



View Guide Marked for Notch

# Nxtwall Installation Instruction

21. To notch the View Guide place the guide on the miter saw. Set the View Guide with the center of the blade on the center of the View Guide. This will allow for an even cut on each side. Cut down to the 5/8" mark on the View Guide. Fig. 20 and 21.

- a. If needed a hack saw can be used to make this cut.

22. Use a utility knife and score the View Guide from the 5/8" cut to the end of the Guide.

- a. Score the Guide multiple times to cut as deep as possible, this will help with removing the notched piece.

23. Use a pair of pliers and break off the pieces of the View Guide. Fig. 22.

- a. If the part of the View Guide below the notch is bent it can be bent back to its original position. This section will be covered by the View Track. Fig. 23.

24. View Guide preparation complete.

Fig. 20

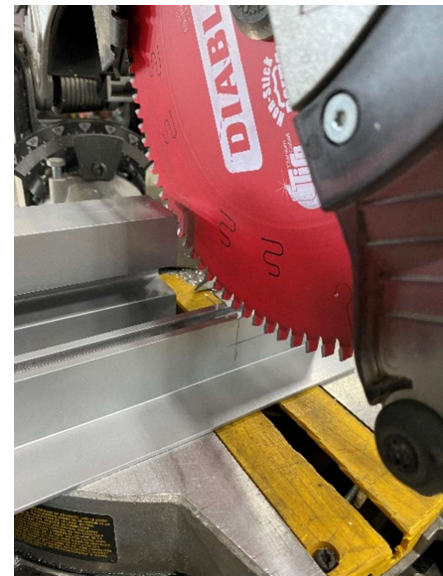


Fig. 21



Fig. 22



Fig. 23



# Nxtwall Installation Instruction

## 25. Cut 2 - View L-Brackets. Fig. 24.

- a. The cut View L-Bracket will allow the View Guide to be attached to the Freestanding Post.
- b. The brackets can be cut with a hack saw.

## View Guide Installation

## 26. Place the Freestanding Post tight to the View Guide within the door opening.

- a. Note: This is if it was removed prior to the View Guide prep.

## 27. Slide Leveling Bolts into the View Guide. Include at minimum 2 Leveling Bolts.

## 28. At the top of the partition with the Freestanding Post in place attach the notched View Guide to the horizontal Wall-Start using 4" attaching screws.

Install attaching screws every 3'-4'. Fig. 25.

- a. Make sure the notched end is towards the Freestanding Post.
- b. Make sure the edges of the View Guide are flush with the edges of the Wall-Start.

Fig. 24

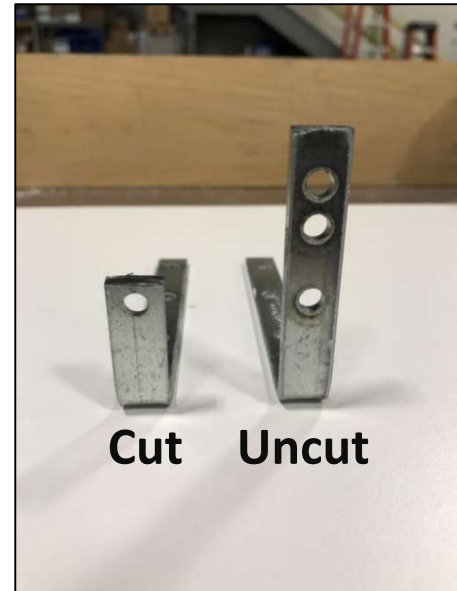
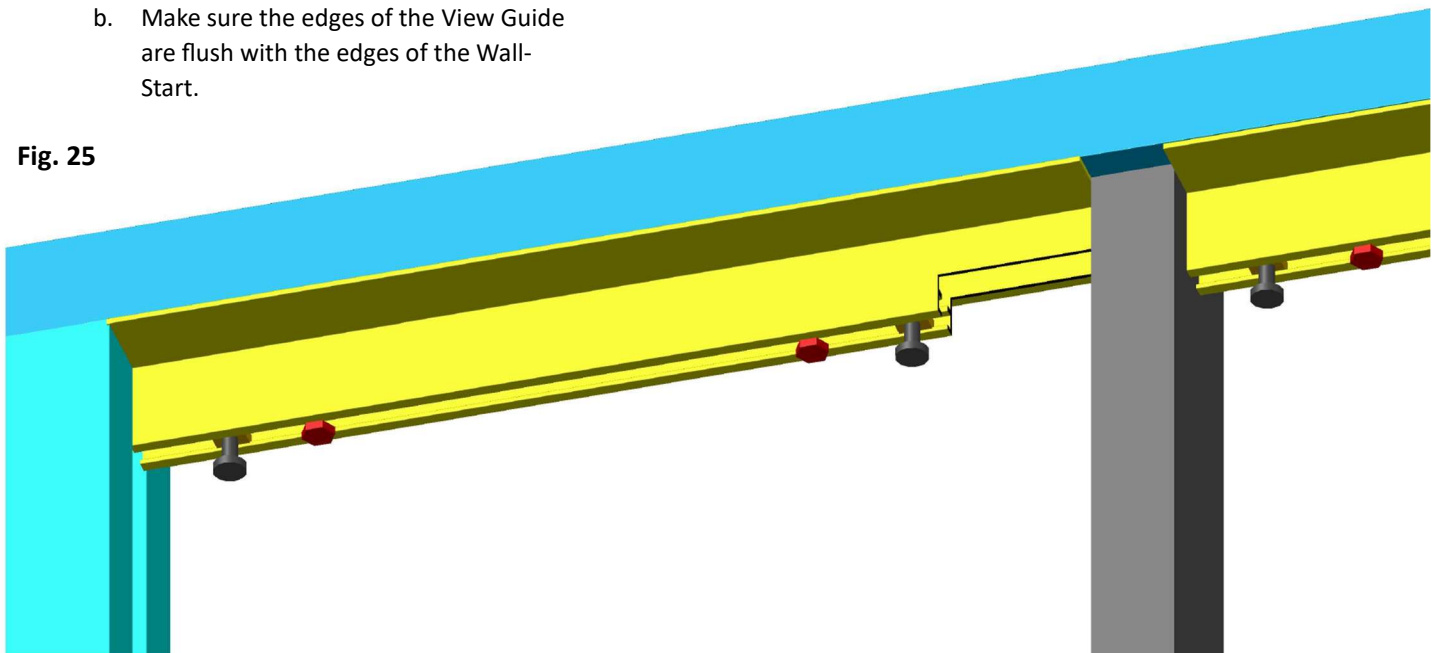
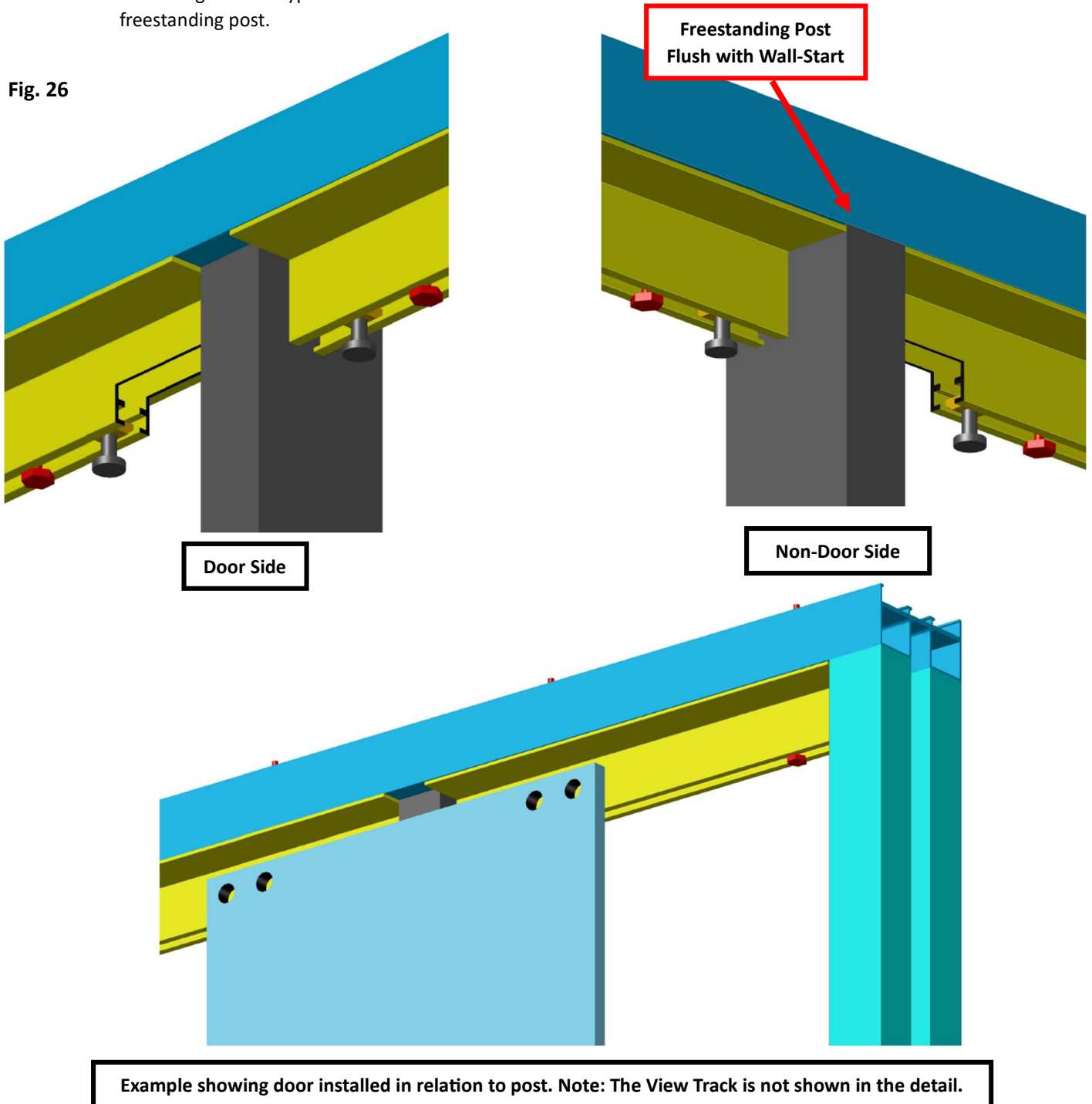


Fig. 25



29. **Important Step:** The Freestanding Post must be offset to the opposite side of the sliding door. Fig. 26.
- a. Offsetting the Freestanding Post allows the sliding door to bypass the freestanding post.

Fig. 26



# Nxtwall Installation Instruction

30. Place the long end of the cut off L-Bracket into the View Guide. The short end will be against the Freestanding Post. Fig. 27.
31. Attach the short end of the L-Bracket to the Freestanding Post using a 5/8" Framing Screw. Fig. 28.
  - a. Note: There is a tight angle for the attaching screw, if needed, use a bit with an extension to run the attaching screw.
32. Attach the long end of the L-Bracket to the inside of the View Guide with a 5/8" Framing Screw.
33. Plumb the Freestanding Post.

Fig. 27

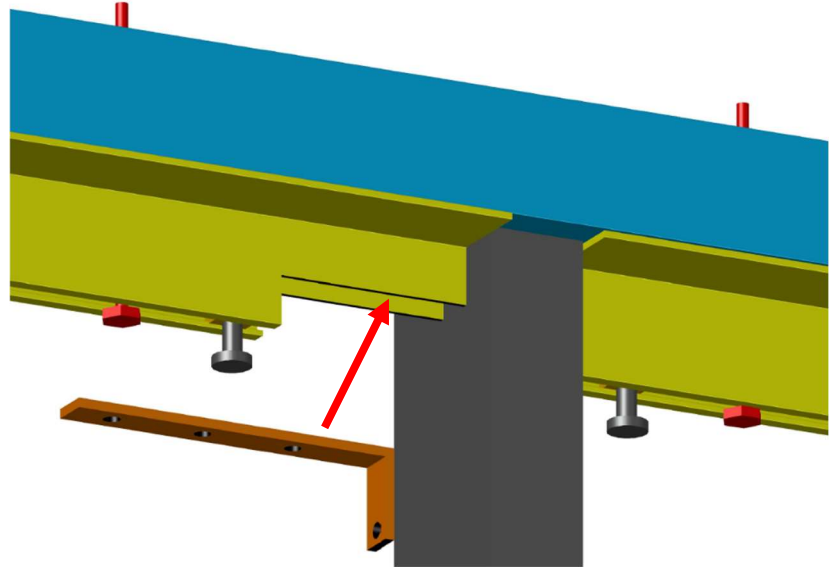
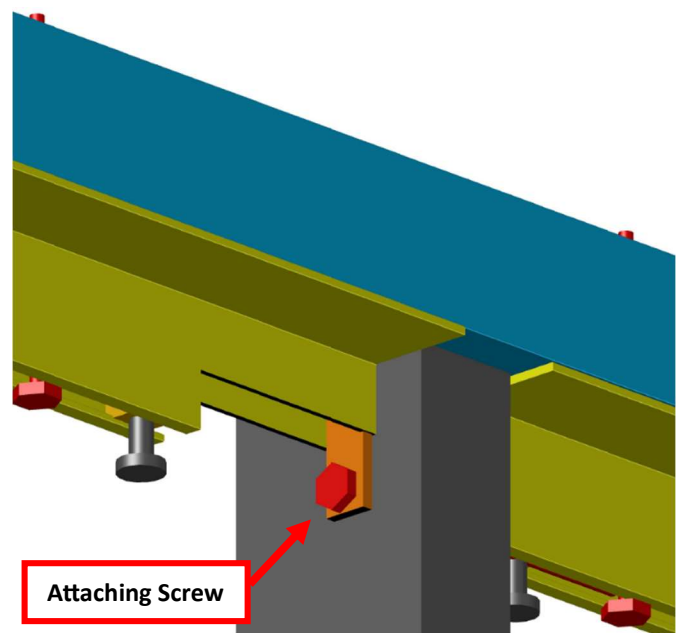


Fig. 28

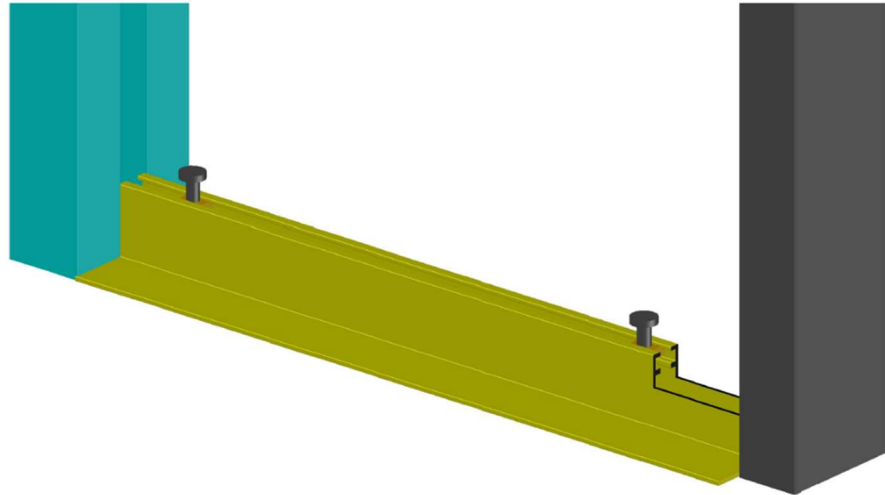


# Nxtwall Installation Instruction

34. At the floor place the prepped View Guide between the Wall-Start and the Freestanding Post. Fig. 29.

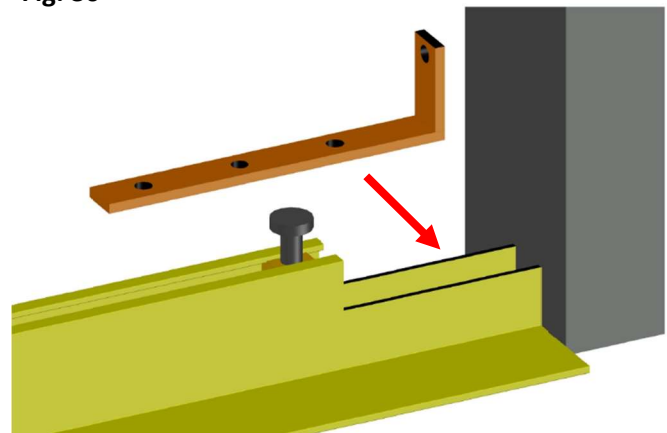
- a. Include a minimum of two Leveling Bolts in the View Guide.
- b. The Freestanding Post will be offset to the same side as the top of the partition.
- c. Make sure to maintain the 38" walkthrough opening.

Fig. 29



35. Using the cut off L-Bracket place the long end of the cut L-Bracket into the View Guide. The short end will be against the Freestanding Post. Fig. 30.

Fig. 30



36. Attach the short end of the L-Bracket to the Freestanding Post using a 5/8" Framing Screw. Fig. 31.

37. Attach the long end of the L-Bracket through the View Guide and into the floor with an anchoring screw. Fig. 32.

Fig. 31

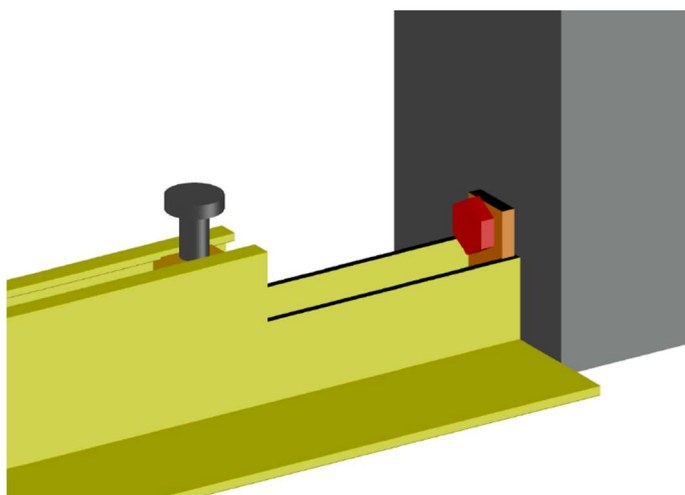
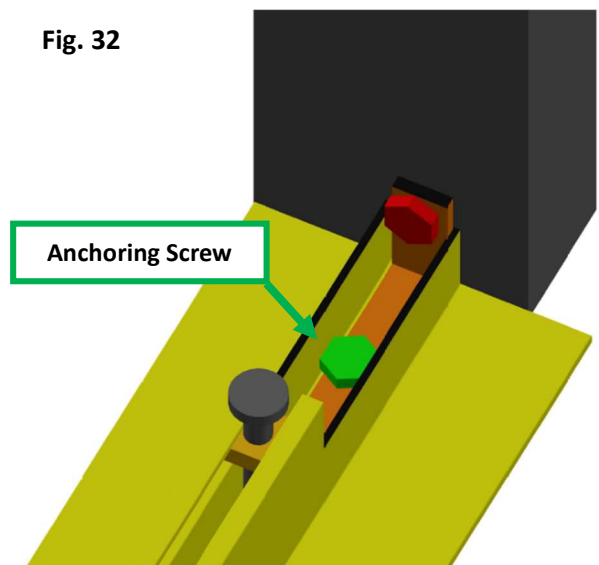


Fig. 32



# Nxtwall Installation Instruction

38. On the opposite side of the opening place a View L-Bracket into the View Guide and View Wall-Start. Fig. 33.
  - a. The short end will go into the View Guide, the long end into the Wall-Start.
39. Attach the L-Bracket to the inside of the Wall-Start using a 5/8" Screw. Fig. 34.
40. Attach the L-Bracket through the L-Bracket and into the floor with an anchoring screw. Fig. 34.
41. View Guide Installation complete.

Fig. 33

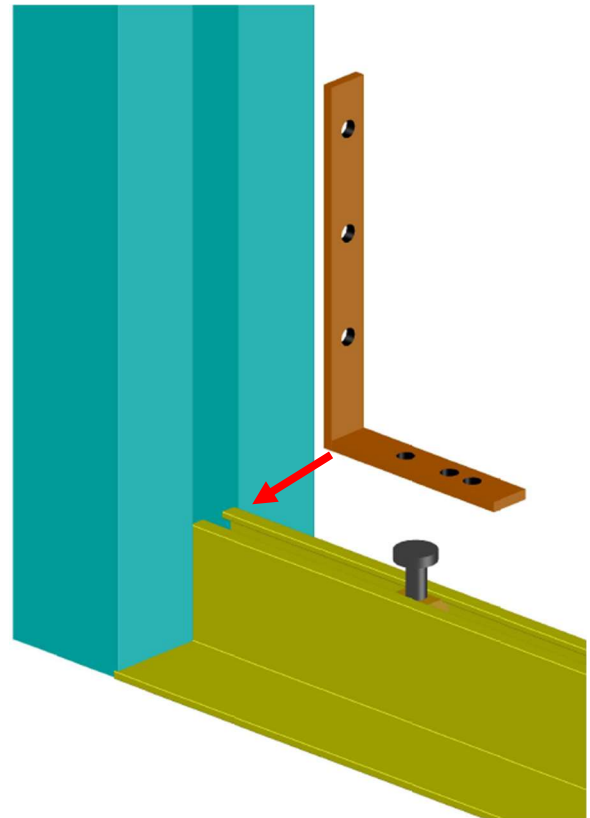
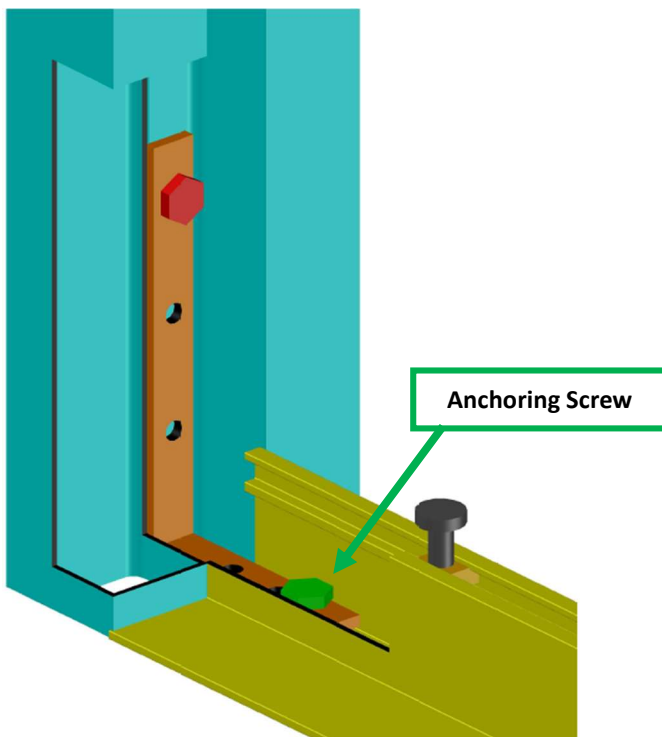


Fig. 34



# Nxtwall Installation Instruction

## View Track Installation

42. **Important Step:** Adjust the Leveling Bolts in the View Guide. The Leveling Bolts must be level across the opening.
- The purpose of the Leveling Bolts is to level the View Track. This is important to ensure proper function of the sliding door.
  - When the View Track is installed there must be a minimum 3/8" Air Gap between the View Track and View Guide. Fig. 35.
    - To achieve this, set the first leveling bolt at 3/8" to the top of the bolt on the door opening side. Fig. 36.
    - Adjust the remaining Leveling Bolts to be level with the initial Leveling Bolt.
  - Set up a laser level to properly adjust the Leveling Bolts. If a laser is not available a normal level can be used. Fig. 37.

**\*\*Leveling Bolts allow up to 7/8" adjustment \*\***

Fig. 37

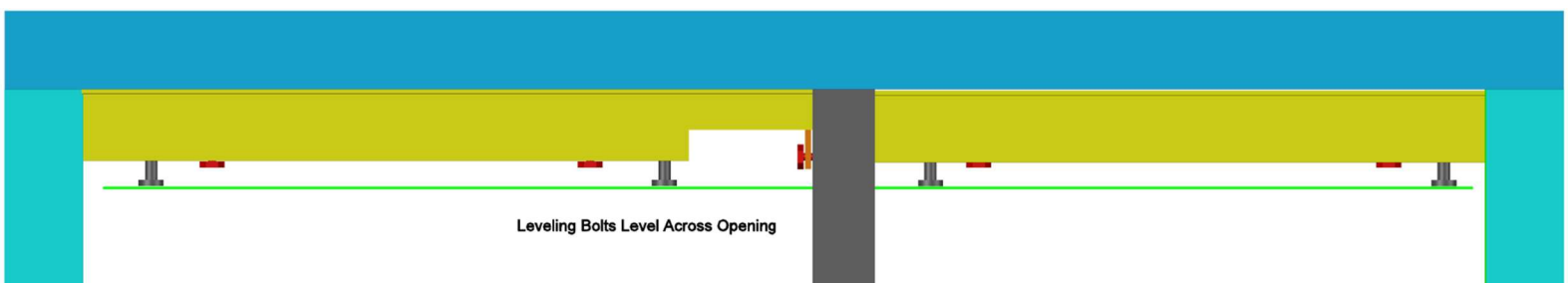


Fig. 35

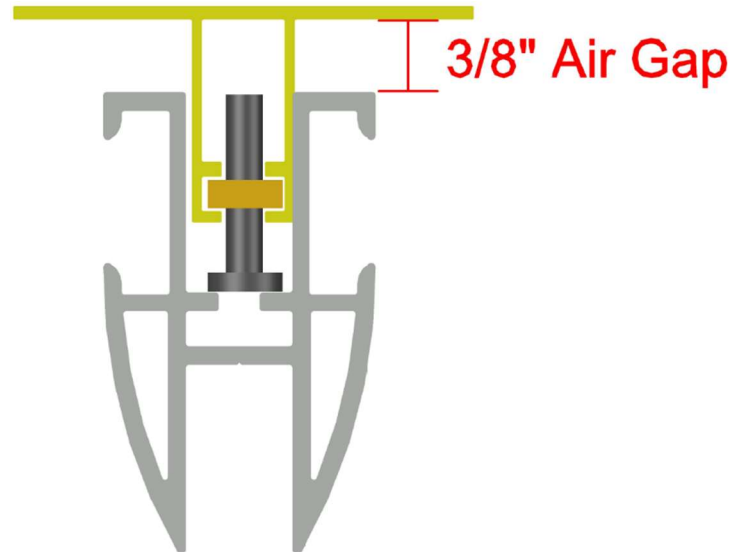
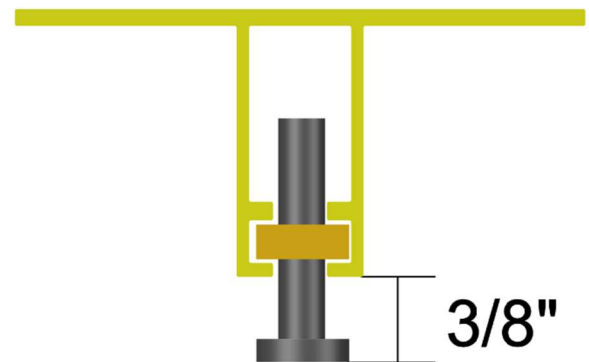


Fig. 36





# Nxtwall Installation Instruction

43. Prep the View Track for installation.
  - a. Pre-drill 1/4" holes approximately every 3'-4' through the center of the View Track. Include at minimum two holes. Fig. 38.
44. Attach View Track to View Guide using the 4" attaching screws. Fig. 39.
  - a. When attaching the View Track run the screws to tighten the View Track to the Leveling Bolts. Do not overtighten.
45. Ensure the View Track is level with each other on each side of the Freestanding Post.
  - a. This is important for proper function of the sliding door.

Fig. 38

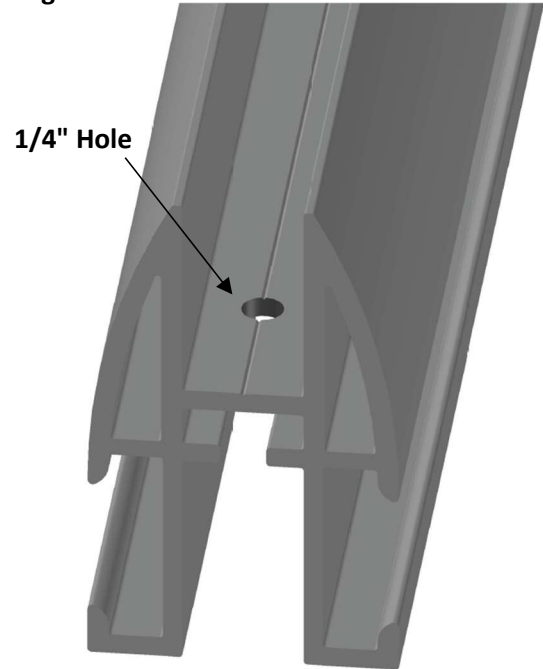
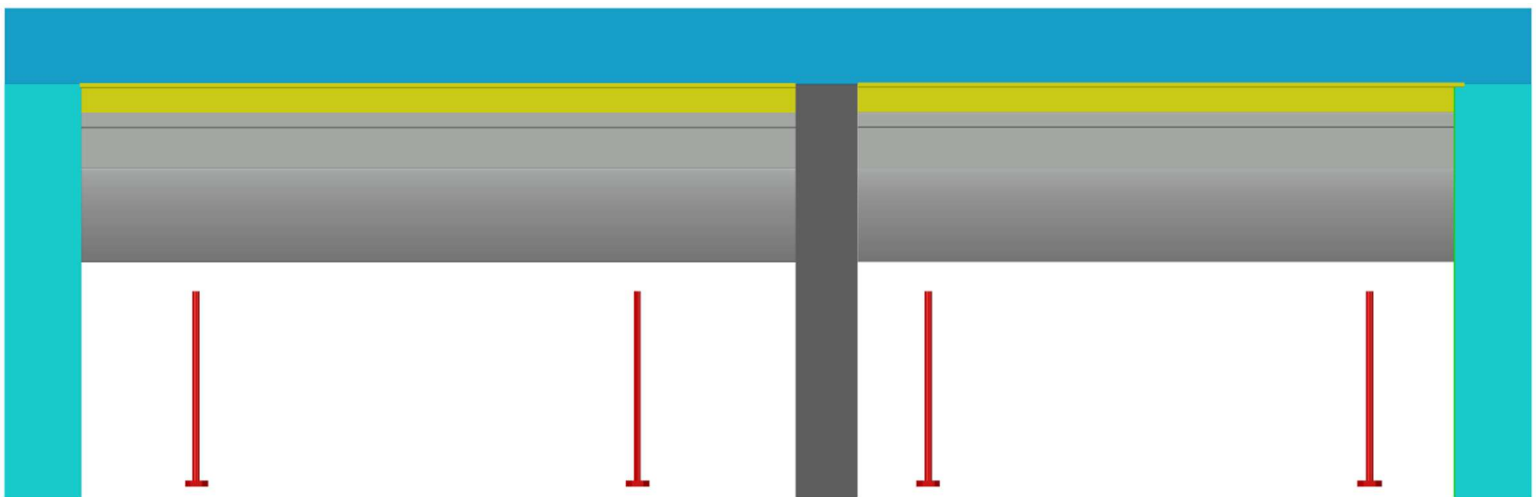


Fig. 39



# Nxtwall Installation Instruction

46. **Important Step:** Same as the ceiling adjust the Leveling Bolts in the View Guide at the floor. The Leveling Bolts must be level across the opening. Fig. 40.

- a. The purpose of the Leveling Bolts is to level the View Track. This is important to ensure the opening for the glass is square.
- b. When the View Track is installed there must be a minimum 3/8" Air Gap between the View Track and View Guide.
- c. Set up a laser level to properly adjust the Leveling Bolts. If a laser is not available a normal level can be used.

47. Place the View Track onto the Leveling Bolts/View Guide. Fig. 41.

- a. The View Track is not attached to the View Guide. The View Track will rest on the Leveling Bolts.

48. Ensure the View Track is level.

Fig. 41

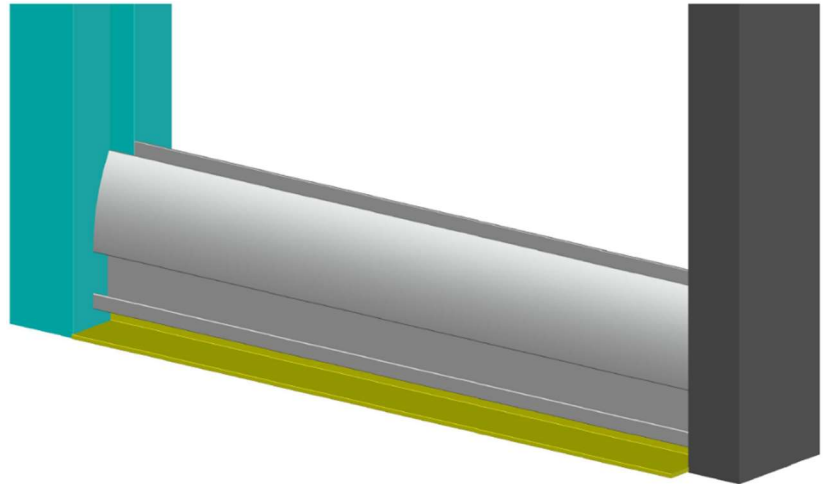
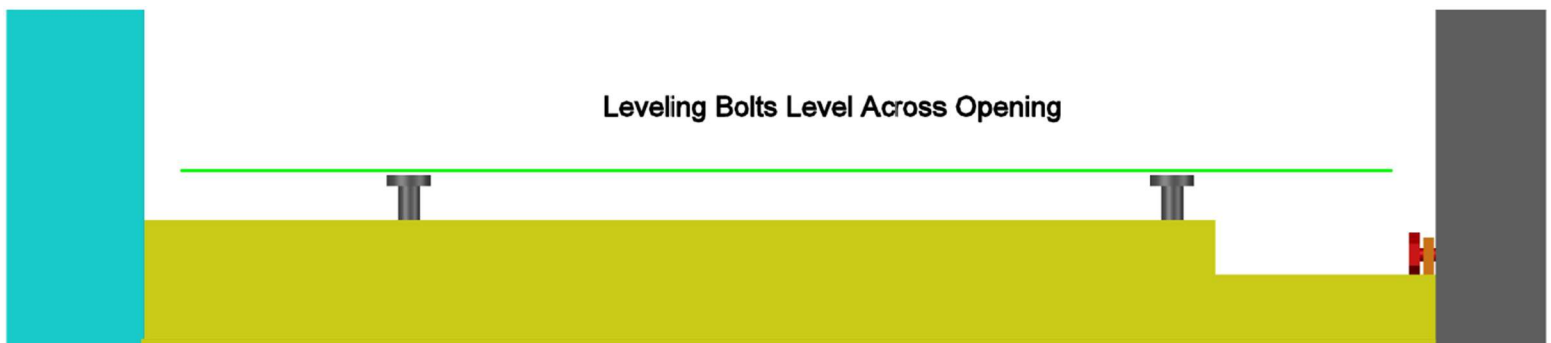


Fig. 40



## View Saddle Installation

49. Install the View Saddle on the View Track/Wall-Start on the door opening side. Fig. 42/43.
- The purpose of the View Saddle is to keep the View Track level.
  - Slide the center of the View Saddle into the center of the View Track.
  - Ensure the saddle is square and mark the hole locations.
  - Pre-drill holes using a 5/32" drill bit.
  - Attach the saddle to the Finish Cover/Wall-Start using 1 1/2" Taper Headed Screws.

Fig. 42

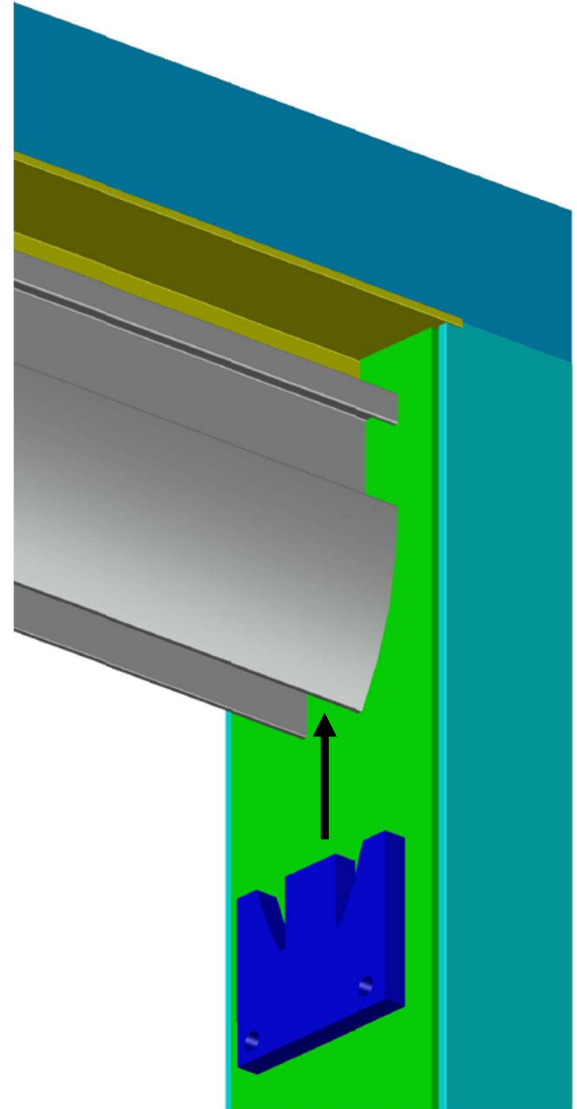
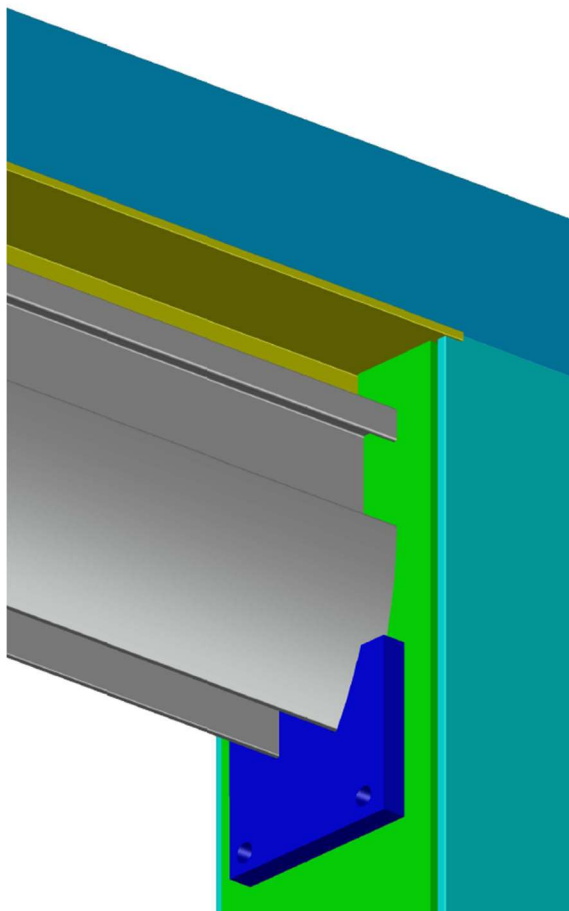


Fig. 43



# Nxtwall Installation Instruction

## Glass Channel Installation

There are two different profiles of Glass Channel.

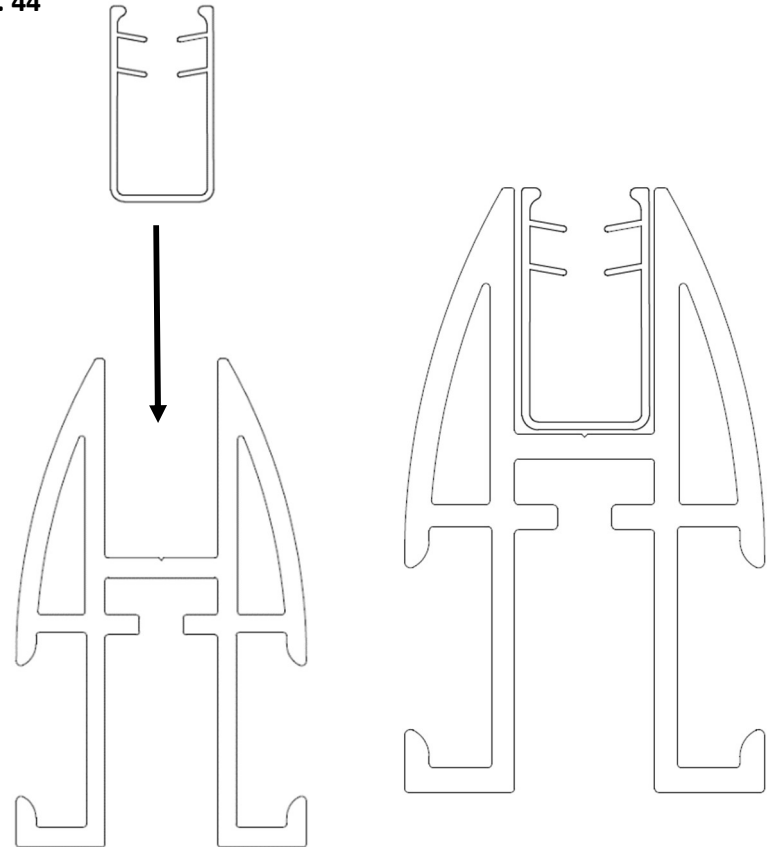
- View Track Glass Channel (Fig. 44).
- View Wall-Start Glass Channel (Fig. 45).
  - o To differentiate the two different profiles "WALL-START" is printed on the side of the Wall-Start Glass Channel.

The Glass Channel is the gasket installed into the framing for the glass.

The Glass Channel has double sided tape that will stick to the inside of the framing.

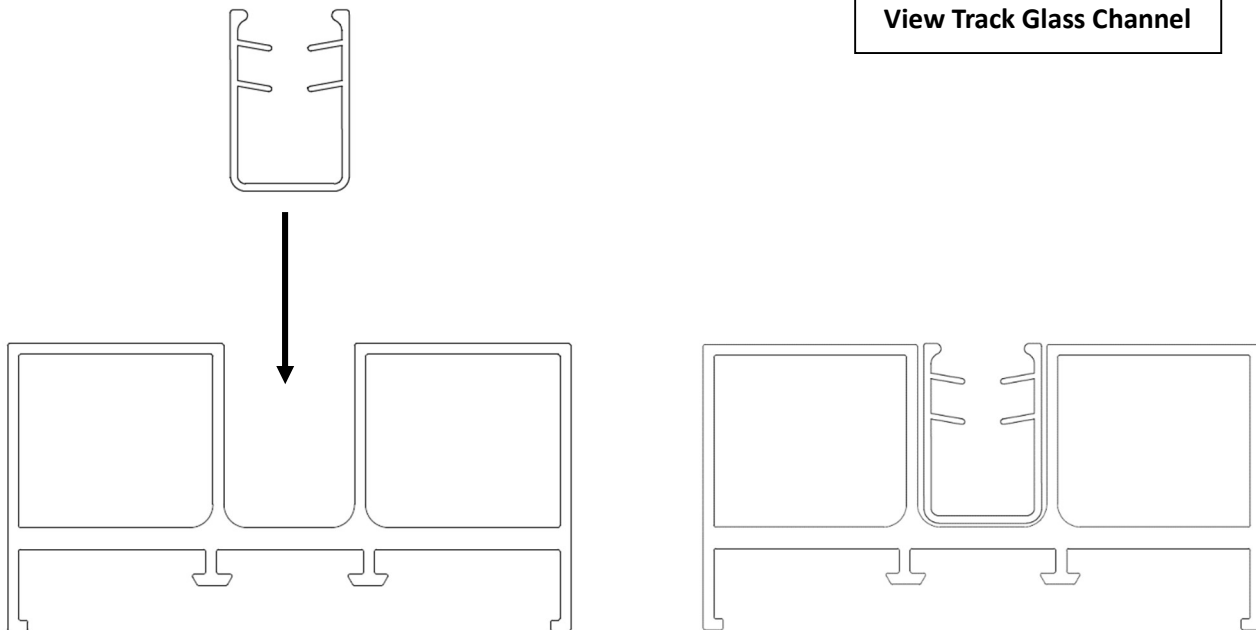
The Glass Channel can be inserted once the framing has been completed.

Fig. 44



View Track Glass Channel

Fig. 45



View Wall-Start Glass Channel

# Nxtwall Installation Instruction

## Glass Channel Installation: View Track

50. To measure for the Glass Channel for the View Track attached to ceiling measure from the Wall-Start to F.S. Post and add 1". Fig. 46.

- a. The Glass Channel will be inside the Wall-Start and butt into the Freestanding Post.

51. Prior to installing the Glass Channel mark the attaching screw locations. Once determined notch out the screw locations on the Glass Channel. Fig. 47.

- a. Notching out the screw locations will allow the Glass Channel to sit flat inside the View Track.
- b. The notches can be made using a utility knife, the notches will need to be large enough to allow the screw head to come through. These notches will not be seen once the glass is installed.

52. Remove the backing tape from the Glass Channel and insert it into the View Track in the proper location. Fig. 48.

- a. Use long object to press the Glass Channel tight to the inside of the View Track. This will adhere the backing tape to the inside of the View Track.

Fig. 46

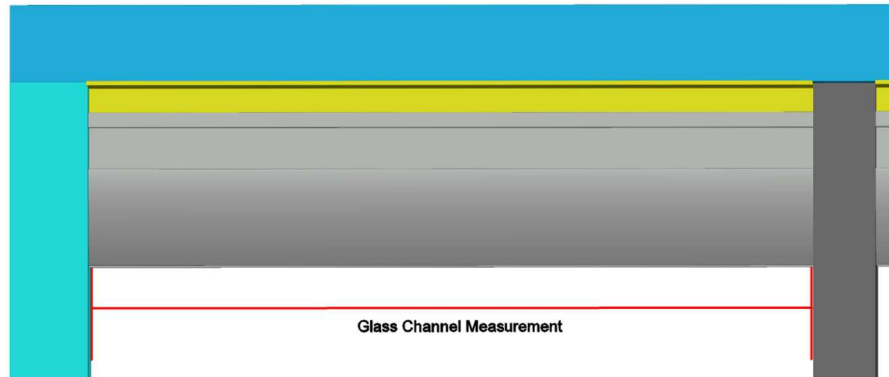


Fig. 47

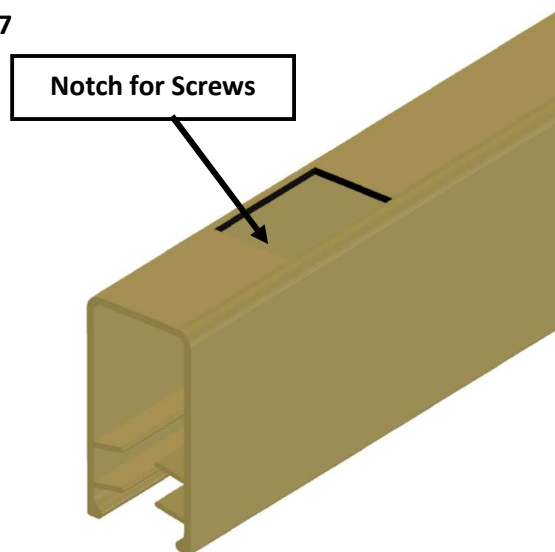
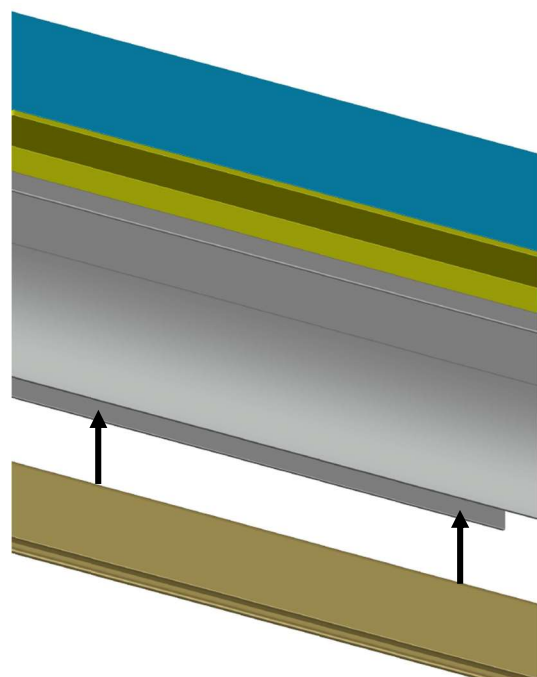


Fig. 48



# Nxtwall Installation Instruction

53. To measure for the Glass Channel for the View Track at the floor measure from the Wall-Start to F.S. Post and add 1". Fig. 49.

- a. The end of the Glass Channel will be inside the Wall-Start and butt into the Freestanding Post.

54. Remove the backing tape from the Glass Channel and insert it into the View Track in the proper location. Fig. 50.

- a. Use a long object to press the Glass Channel tight to the inside of the View Track. This will adhere the backing tape to the inside of the View Track.

55. View Track Glass Channel installation complete.

Fig. 49

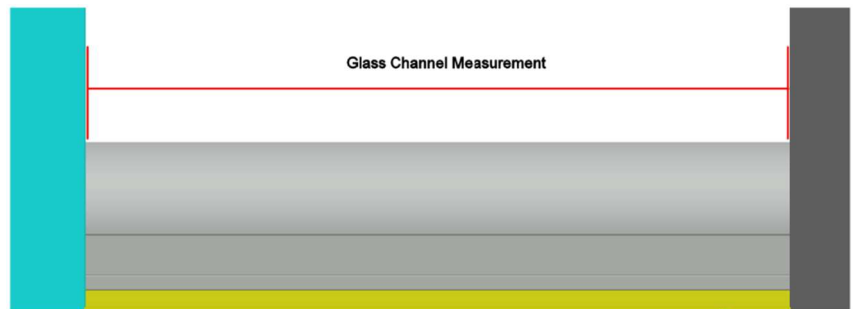
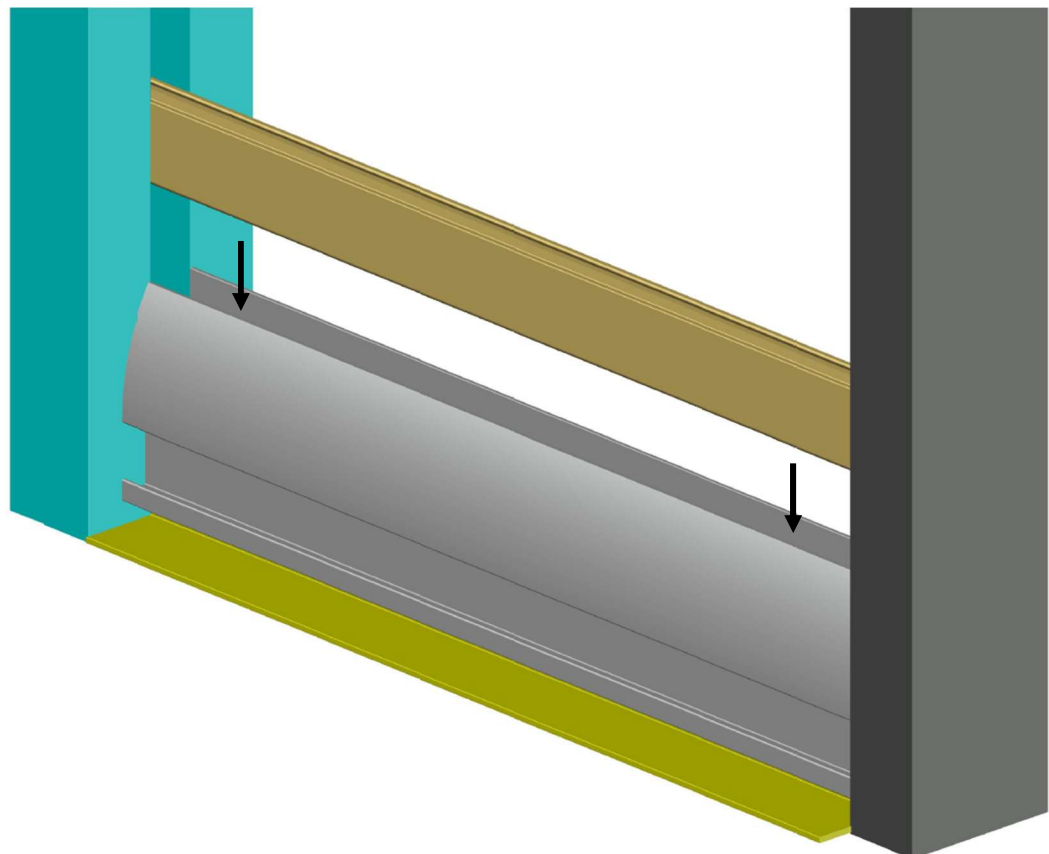


Fig. 50



# Nxtwall Installation Instruction

## Glass Channel Installation: View Wall-Start

**\*\*SEE NOTE REGARDING SINGLE SIDELIGHTS\*\***

56. To measure for the Glass Channel for the Wall-Start measure from the View Track at the ceiling down to the View Track at the floor. This will be an exact measurement. Fig. 51.

- a. Make sure to use the Glass Channel with "Wall-Start" printed on the side.

57. Same as the Track Glass Channel at the ceiling mark the attaching screw locations. Once determined notch out the screw locations on the Glass Channel.

- a. Notching out the screw locations will allow the Glass Channel to sit flat inside the Wall-Start.
- b. The notches can be made using a utility knife, the notches will need to be large enough to allow the screw head to come through. These notches will not be seen once the glass is installed.

58. Remove the backing tape from the Glass Channel and insert it into the Wall-Start in the proper location. Fig. 52.

- a. Use a long object to press the Glass Channel tight to the inside of the Wall-Start. This will adhere the backing tape to the inside of the View Track.

59. Wall-Start Glass Channel installation complete.

Fig. 51

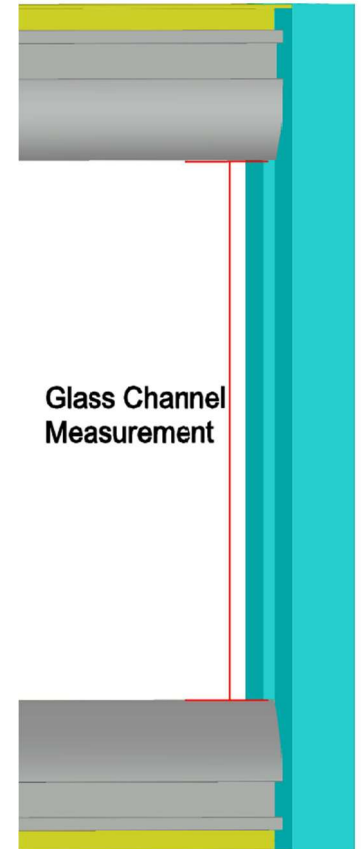
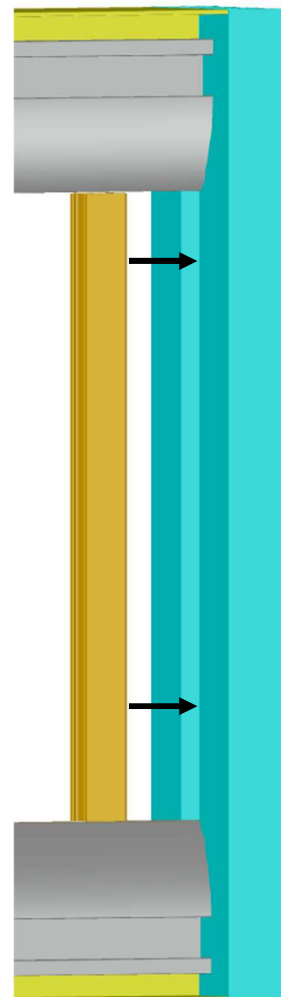


Fig. 52



**\*\*SINGLE SIDELIGHTS\*\***

If you have a Single Sidelight, meaning a single piece of glass between the Wall-Start and the F.S. Post, the Glass Channel will be used differently for the Wall-Start. Please contact Nxtwall for more information.

## Glass Shim Installation

60. With the Glass Channel in place the shims for the glass panels can be installed.
- The shims are 1/2" W x 3/4" H. Fig. 53.
  - Use two shims per pane of glass. The shims need to be on each corner of the glass.
  - The shims will only be installed in the View Track on the Floor.
  - The shims can be cut in half if needed.
61. To install the shims press the shims into the Glass Channel/View Track. Fig. 54.
- Before installing the glass space the shims to ensure the shims are on each corner of the glass.

Fig. 53

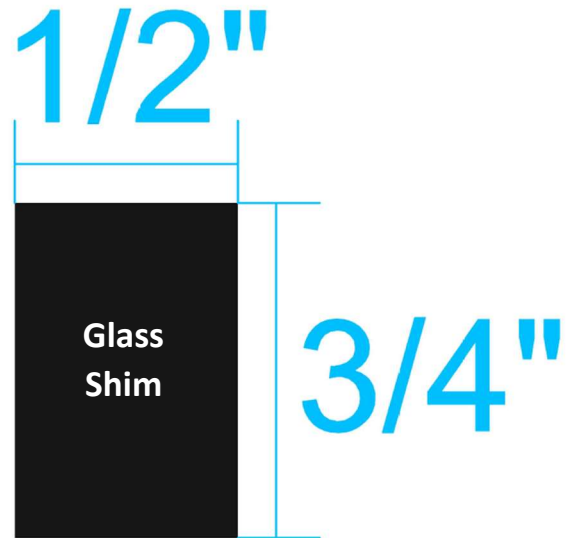
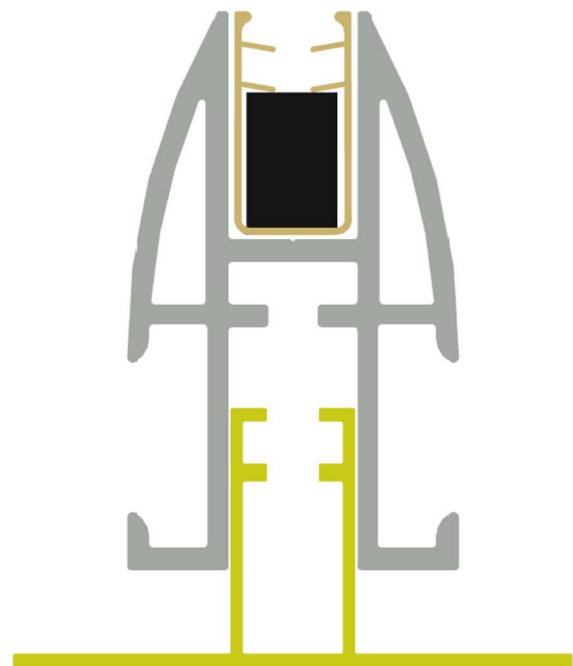
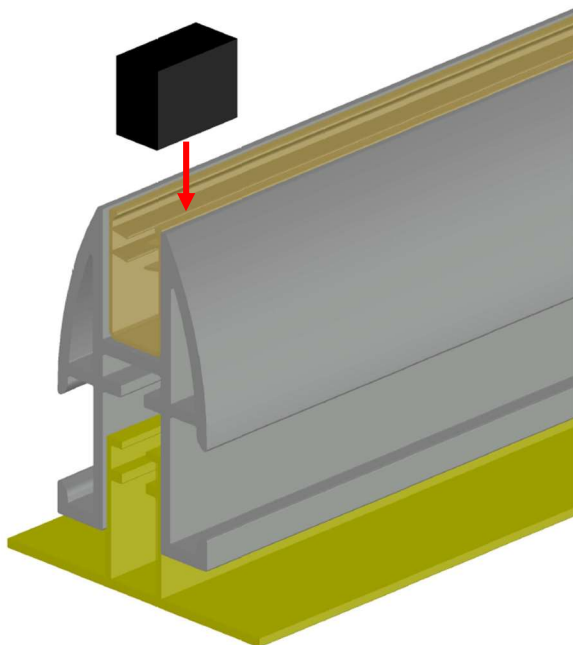


Fig. 53





# Nxtwall Installation Instruction

## Framing Complete: Next Step

Once the framing is complete the glass will be measured for. Reference the View Series Glass Measuring Guide to properly measure for the glass.

Note: For Freestanding View Series with a Sliding Door the door width will be 45”.

## Completion Renderings:

